



CAL LIGHTING

3625 E. Philadelphia St. Ontario CA. 91761 • Tel: 909.947.5200 • Fax:
909.947.5673 • www.calighting.com • service@calighting.com •
Specifications subject to change without notice

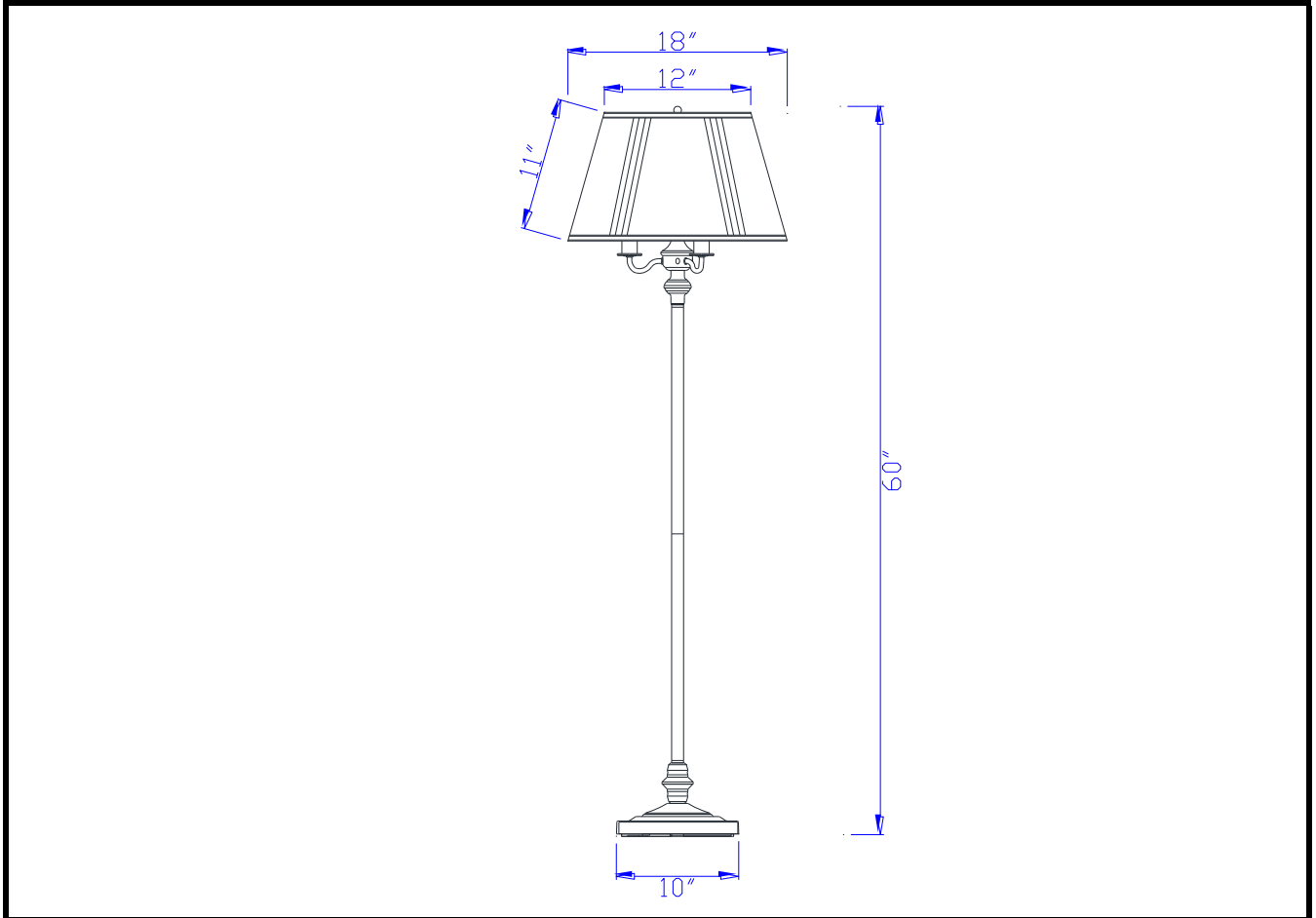
Type: _____

Project: _____

Catalog No.: _____

Lamp/Wattage: _____

Drawing:



- Model No:** BO-315
- Description:** Transitional Floor Lamp with 10 lbs. Weighted Base
- Material:** Metal
- Finish :** DB (Dark Bronze)
- Height:** 60"
- Base Width:** 10"
- Wattage :** 150W + 60W x3
- Socket :** Medium Base (E27)
- Switch:** 6 way
- Bulb:** Incandescent, CFL
- Wire length:** 6'
- Wire Color:** Black
- Shade No:** SH-3203
- Material:** Linen
- Shade size:** 12"x18"x11"

Certificate :

