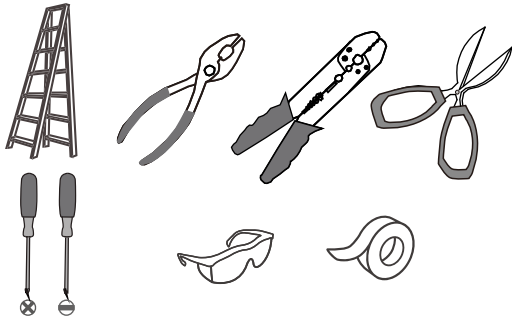
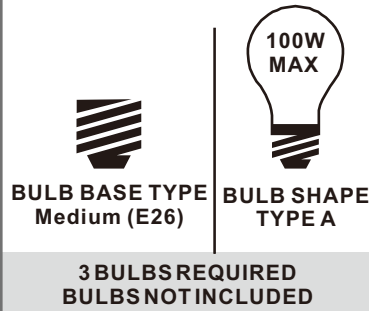


**Tools Required**



**Light Source**



**Fixture Height Adjustable  
10.25" to 46.25"**

**⚠ Warnings and Cautions**

Turn off the electricity at the circuit breaker before installation. Consult a licensed electrician if in doubt about installation.

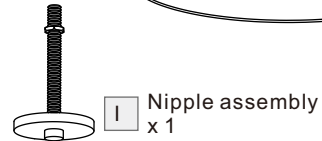
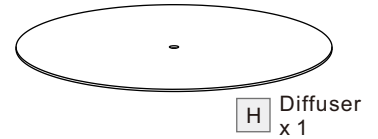
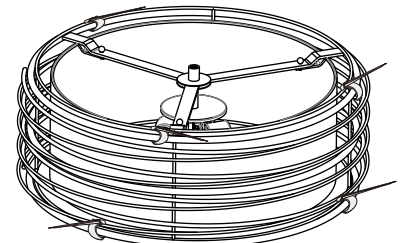
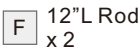
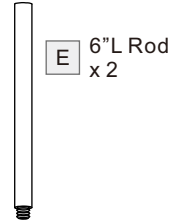
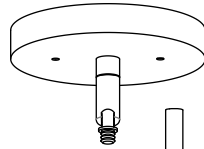
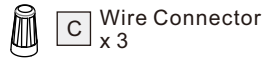
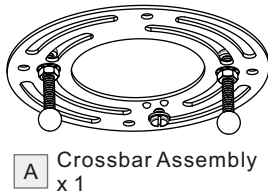
Turn off power to the fixture and allow the bulbs to cool before replacing.

**Package Contents**

**Preparation:** Identify and inspect all parts before beginning the installation.

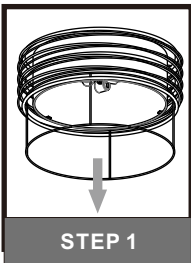
Missing or damaged parts? Contact your original place of purchase.

**PARTS BAG**

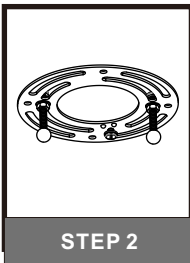


**Table of Contents**

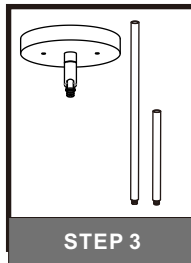
**Remove support cage**



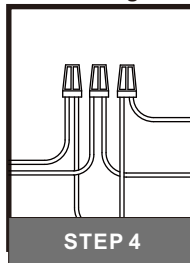
**Crossbar Assembly**



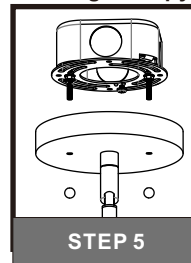
**Ceiling Canopy Assembly & Downrod**



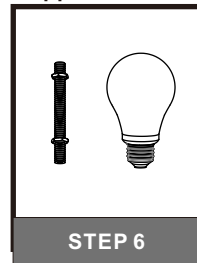
**Wiring**



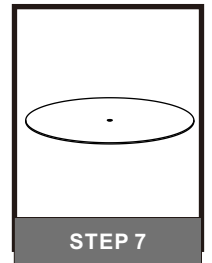
**Ceiling Canopy**



**Nipple and Bulb**



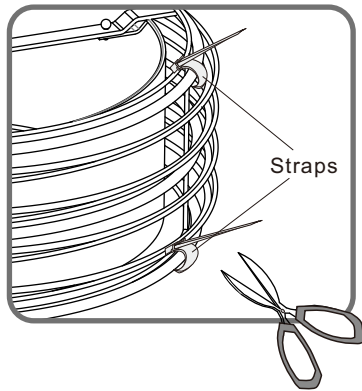
**Diffuser**



## STEP 1

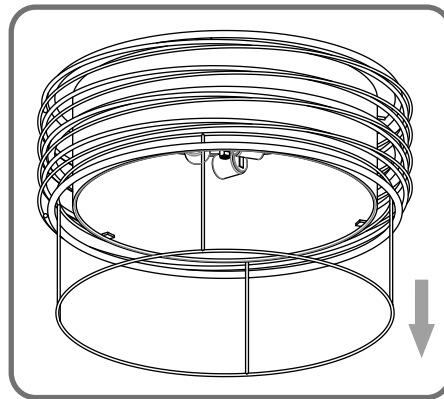
1

Cut straps



2

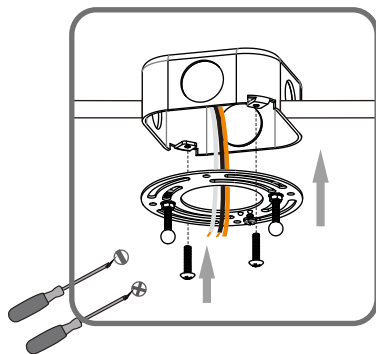
Remove support cage



## STEP 2

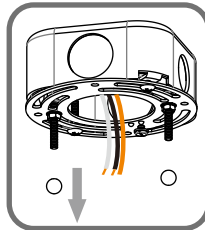
1

Step 1  
Install crossbar assembly

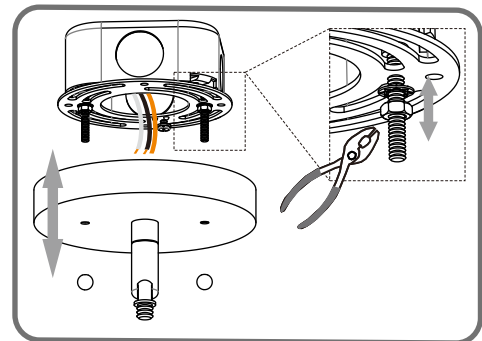


2

Step 2 - 3  
Test fitting ceiling canopy to  
mounting screws



3



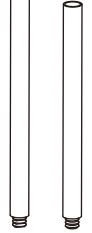
# STEP 3

## OPTION 1 Pendant — SPL2820K

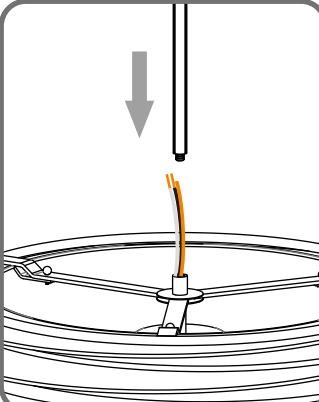
**Optional Rods**

8' ceiling:  
(2) 12"L rods

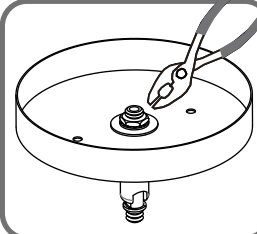
9' ceiling:  
(2) 6"L + (2) 12"L rods



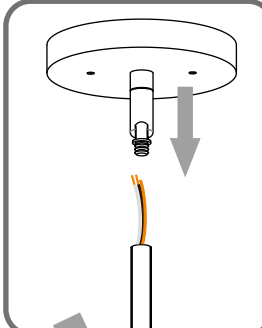
**1**  
Install rods



**2**  
Tighten hex nut inside of the ceiling canopy

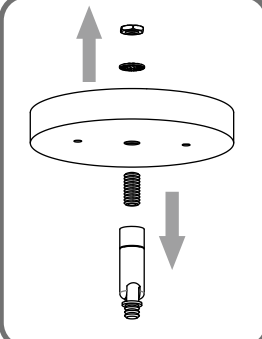


**3**  
Install Ceiling Canopy

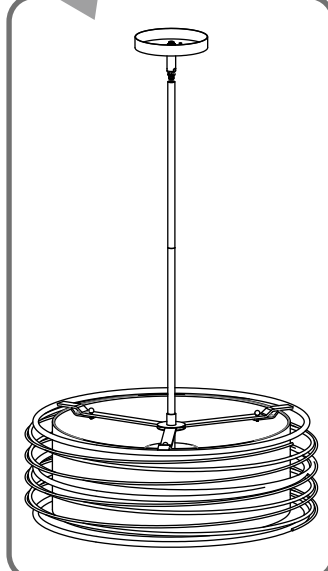
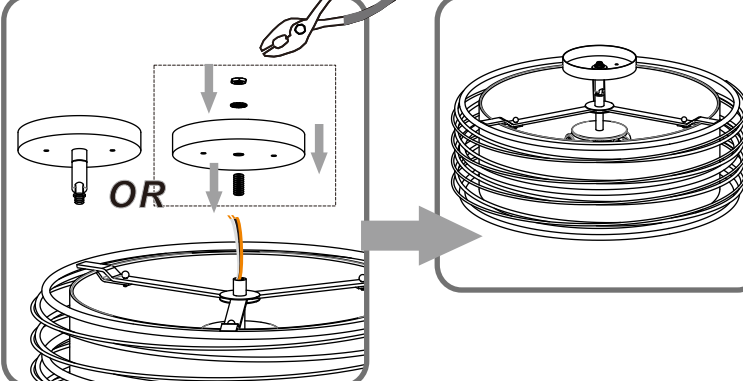


## OPTION 2 Semi-flush — SPL1720K

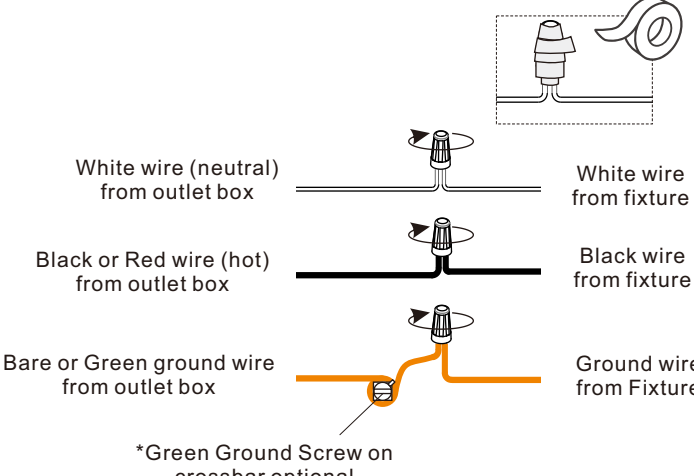
**1**  
Optional: Remove swivel



**2**  
Install ceiling canopy



# STEP 4



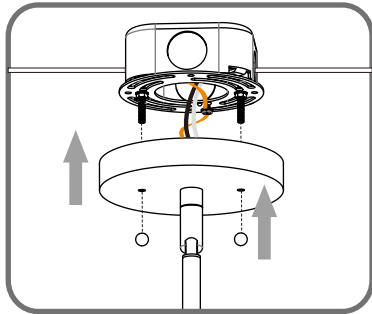
White wire (neutral) from outlet box — White wire from fixture

Black or Red wire (hot) from outlet box — Black wire from fixture

Bare or Green ground wire from outlet box — Ground wire from Fixture

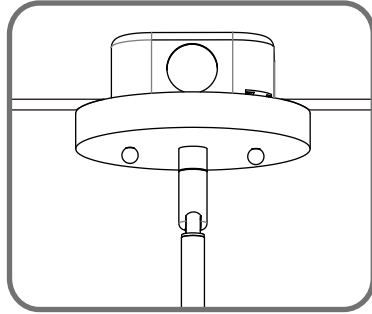
\*Green Ground Screw on crossbar optional

**STEP 5**



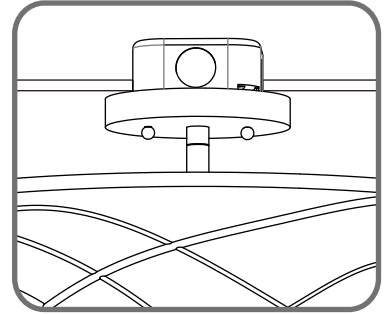
**OPTION 1**

SPL2820K



**OPTION 2**

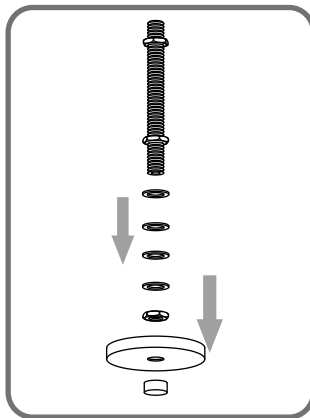
SPL1720K



**STEP 6**

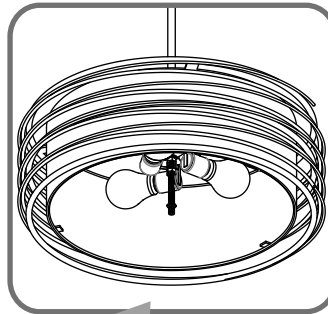
1

Remove finial, cap, (1) hex nut and washers from nipple



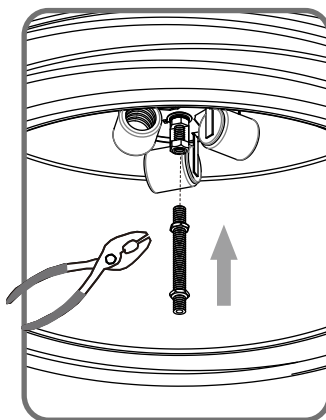
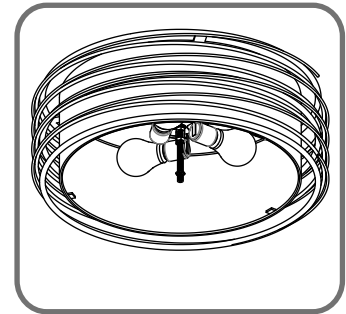
**OPTION 1**

SPL2820K

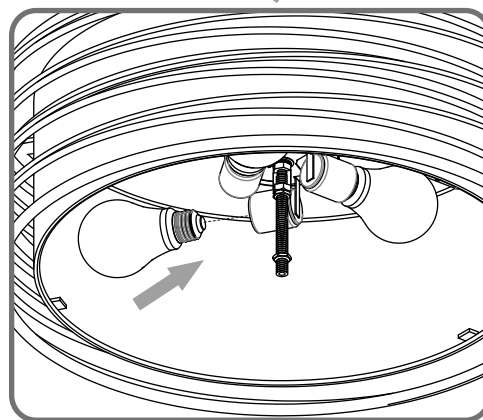


**OPTION 2**

SPL1720K



Install nipple with hex nuts



Install bulb

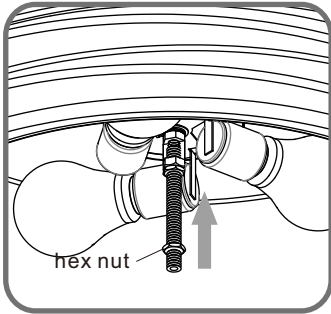
2

3

**STEP 7**

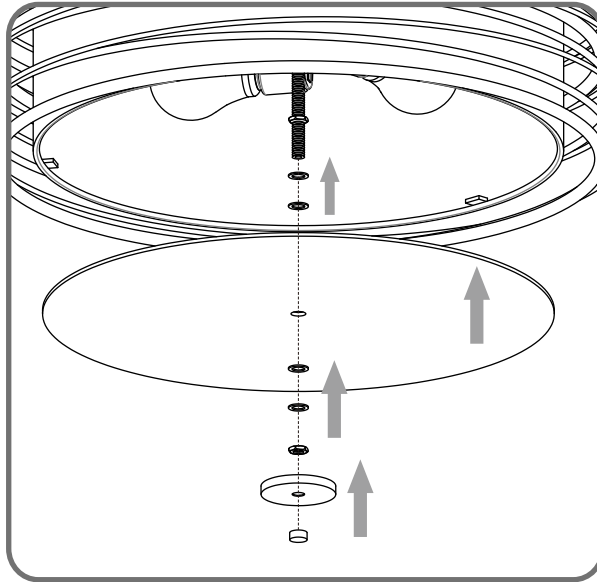
**1**

Turn the hex nut upward



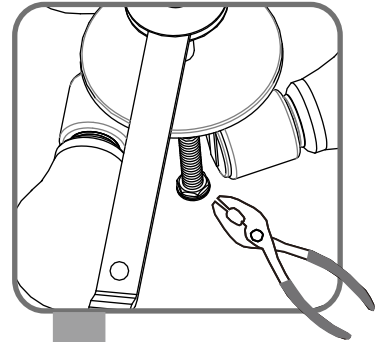
**2**

Install diffuser and finial



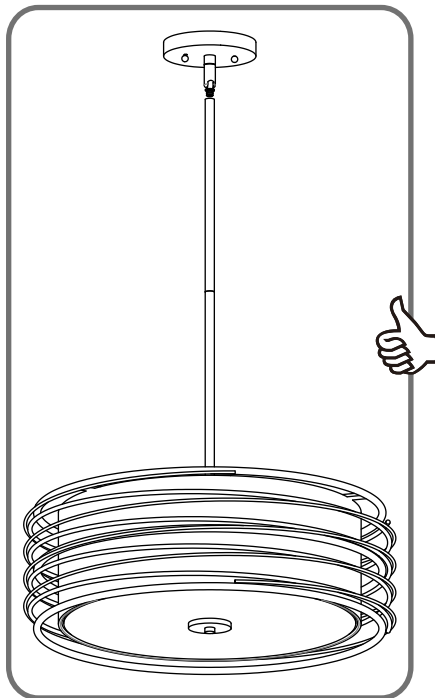
**3**

Tighten hex nut against the diffuser



**OPTION 1**

SPL2820K



**OPTION 2**

SPL1720K

