



LOCATION		DATE
PREPARED BY		QUANTITY
COMMENTS		FIXTURE TYPE
CATALOG NUMBER		

Reveal LED Flush Mount RVF Series

Features

This low profile design provides a dramatic look and features an edge-lit panel construction. Products can be used in various applications including corridors, bath, hallway, kitchen and anywhere general lighting is needed. Mounts to standard junction box (not included).

Construction

Housing is die-formed steel. Standard mounting holes and hardware included. Power supply connections must be made inside junction box (not included).

Finish

Choose from painted black outer/gold inner or white outer/black inner finish combination.

Diffuser

White acrylic.

Electrical

D1 Driver

Input 120 VAC, 60 Hz. The LED driver is dimmable with a 2-wire (TRIAC) or electronic low voltage (ELV) dimmer switch.

D2 Driver

Input 120-277 VAC 60 Hz. LED driver is dimmable 0-10V DC.

LED

Integrated LED modules capable of producing:
 12" - 17.5W, 1400 source lumens
 16" - 31W, 2600 source lumens
 3000K (CCT). Rated for 50,000 Hrs. 90 CRI.

Certification

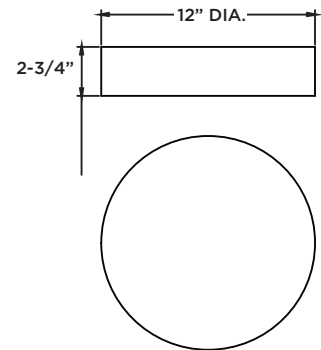
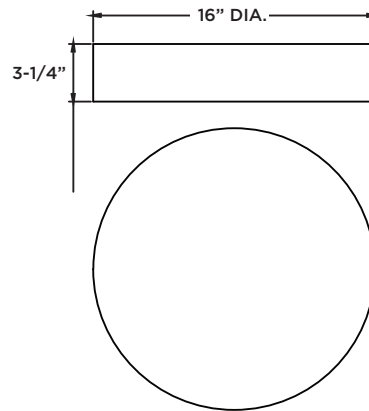
cETLus listed for damp locations.

Warranty

Limited warranty: This fixture is free from defects in materials and workmanship for a period of 5 years from date-of-purchase.

Specifications and dimensions

subject to change without notice.



Ordering Information:

Black/Gold	White/Black	LED	Source Lumens	CCT	DIA.	D
RVF121400L30D1BKGD	RVF121400L30D1WHBK	17.5W	1400	3000K	12"	2-3/4"
RVF121400L30D2BKGD	RVF121400L30D2WHBK	17.5W	1400	3000K	12"	2-3/4"
RVF162600L30D1BKGD	RVF162600L30D1WHBK	31W	2600	3000K	16"	3-1/4"
RVF162600L30D2BKGD	RVF162600L30D2WHBK	31W	2600	3000K	16"	3-1/4"