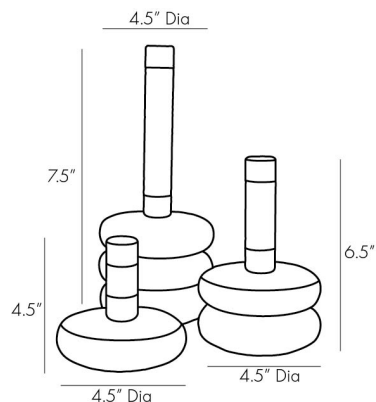


# ARTERIOS

## GLAZE CANDLESTICKS, SET OF 3

WORKSHOP



DA9006

Blackened Steel,  
Contract Suitable As Is

A masterful mix of organic shape and modern technique elevates the simple forms of the Glaze Candlesticks. This set of three features candlesticks with one, two and three stacked ivory stained crackle ceramic disc bases, paired with with a knurled blackened steel candle holder. Compelling enough to stand alone, the Glaze Candelsticks can also be paired with additional sets for playful tabletop installations.

### APPEARANCE

Material	Ceramic, Steel
Finish	Blackened Steel, Ivory Stained Crackle
Finish Will Vary	true
Top Coat/Sealant	false

### SHIPPING

Product Weight	6.8 LBS
Gross Weight 1	8 LBS
Gross Weight 2	0 LBS
Shipping Box 1	H: 7.5 IN, L: 13.3 IN, W: 13.5 IN
Shipping Box 2	H: 0 IN, L: 0 IN, W: 0 IN

### CONTRACT

Contract Suitable	true
-------------------	------