



CAL LIGHTING

3625 E. Philadelphia St. Ontario CA. 91761 • Tel: 909.947.5200 • Fax:
909.947.5673 • www.calighting.com • service@calighting.com • Specifications
subject to change without notice

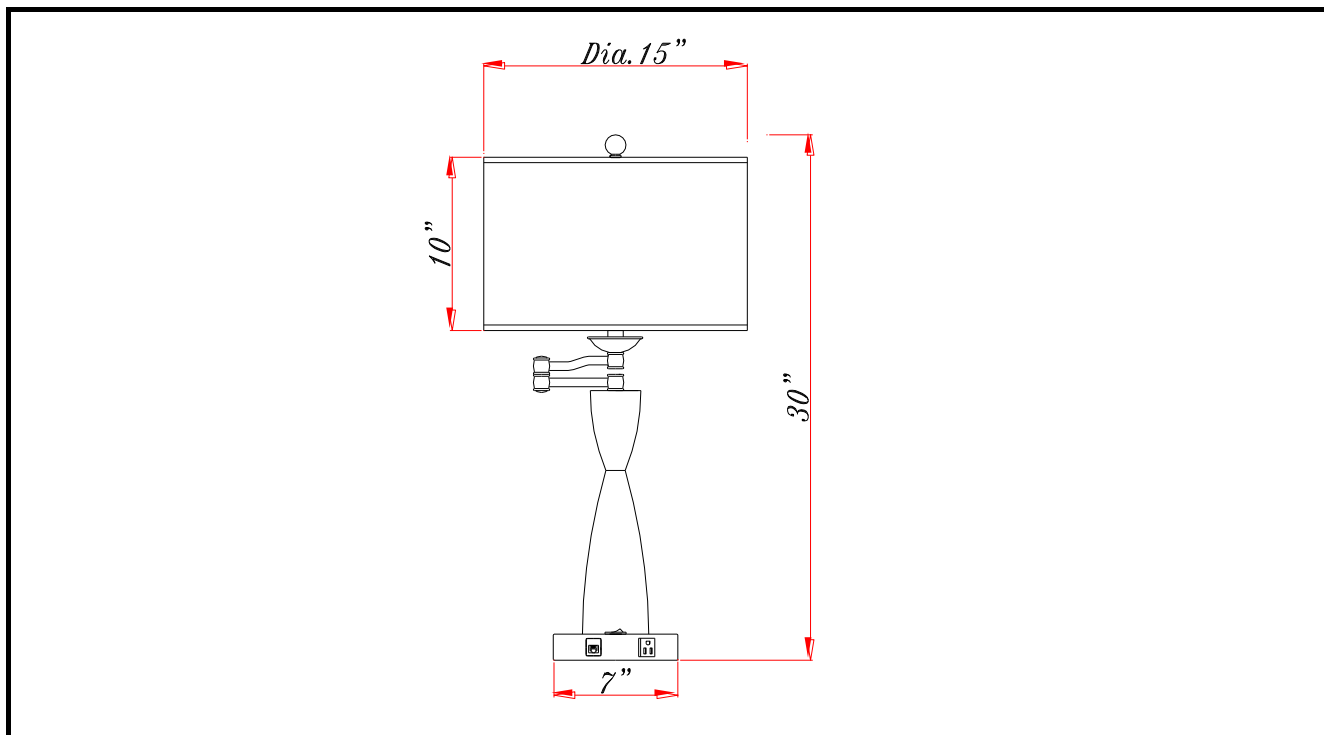
Type: _____

Project: _____

Catalog No.: _____

Lamp/Wattage: _____

Drawing:



- Model No:** LA-60006TB-1R
Description: 100W Metal night stand swing arm lamp w/1 power outlet and 1 ethernet jack
Material: METAL
Finish : Brushed Steel/Faux Wood
Height: 30"
Base Width: 7"
Harp Size: 8.5"
Wattage : 100W
Socket : Medium Base (E26)
Switch: Rocker Switch
Bulb: Incandescent, CFL
Power Outlet: 1
Ethernet Jack: 1
Cord: SVT 18#
Cord Length: 6"
Cord Color: BLACK
Shade No: SH-7115
Material: Fabric
Shade size: D 15" X 15" X 10"
Certificate :

