

Type
Project
Catalog No.
Lamp/Wattage

NTH-110 (Line Voltage Track)
Classic Cylinder with black baffle.
 Lamp : 50W R/PAR20 (Not Included)

PRODUCT DESCRIPTION

Line voltage R/BR/PAR lamp classic style cylinder with adjustable yoke. Round back cylinder with classic art-deco style front trim. Yoke provides full adjustment of light source for special aiming and dual tightening knobs assure secure lock on angle position.

FEATURES

- Deep drawn housing for high strength and rigidity.
- Adjustable yoke for custom aiming.
- Heat resistant teflon coated wire lead.
- High strength stainless steel electrical contacts.
- One or two circuit track capable.

CONSTRUCTION

Housing

0.030" Deep drawn steel construction with stepped art-deco style front detail.

Yoke

0.085" Rigid steel "wishbone" yoke connects fixture housing to electrical contact head. Dual plastic angle tightening knobs maintain clean, decorative appearance of the fixture and provide secure angle position.

ELECTRICAL SYSTEM

Socket

Porcelain jacketed aluminum screw thread medium-base socket

Wiring

Teflon coated wire lead connects socket and housing to electrical contact head. Teflon coating is durable and resists heat degradation from lamp and housing radiation.

Lamp

N50WR20/PAR20 Maximum (not included)

One/Two Circuit Conversion

Positive contact (opposite neutral and ground contacts) is preset to "down" position at factory but may be raised to the higher position to install onto the second circuit of Nora Lighting NT- 2300 series two-circuit track.

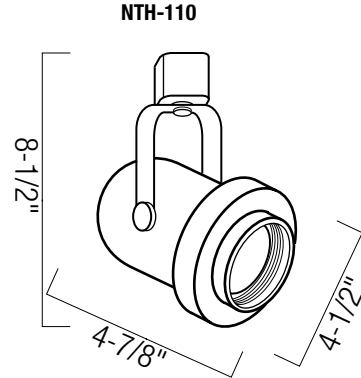
FINISHES

Black or White heat rated baked enamel paint. Custom painting or anodizing for special applications are also available. Custom finishes will require lead times that vary depending on vendor schedule. Please consult factory for quotation, and provide either a Dunn Edwards number or color chip for exact matching.

LABELS AND LISTINGS

UL Listed.

DIMENSIONS



Diameter: 4-1/2"
 Length : 4-7/8"
 Max. Extension: 8-1/2"



Classic Cylinder with black baffle

Catalog No.	Min. - Max Wattage	Finishes	Style
NTH-110	50W	B = Black	Blank = H-Style
		W = White	J = J-Style
			L = L-Style

Create a complete track head number: Example: NTH - 110B