

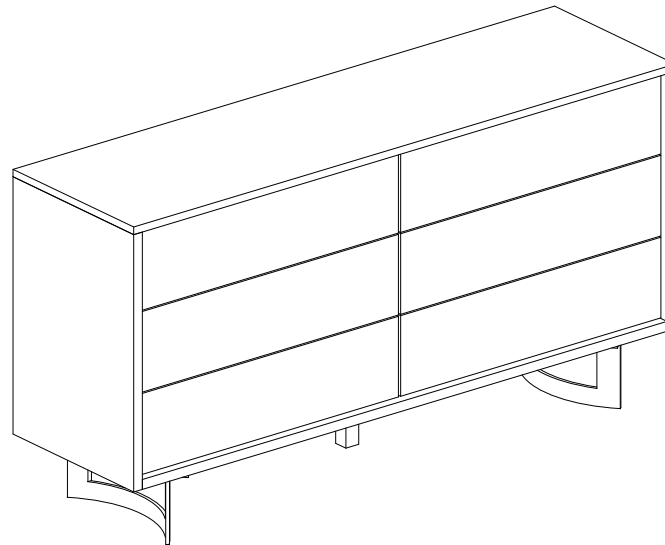
MOE'S

h o m e c o l l e c t i o n

ASSEMBLY INSTRUCTIONS.

BENT DRESSER SMOKED




VE-1097-03







THANK YOU FOR YOUR PURCHASE!

PARTS AND HARDWARE.

PARTS LIST

NO.	DESCRIPTION	IMAGE	QTY
P1	STRUCTURE		1
P2	METAL LEG		2
P3	CENTRAL LEG		1

HARDWARES LIST

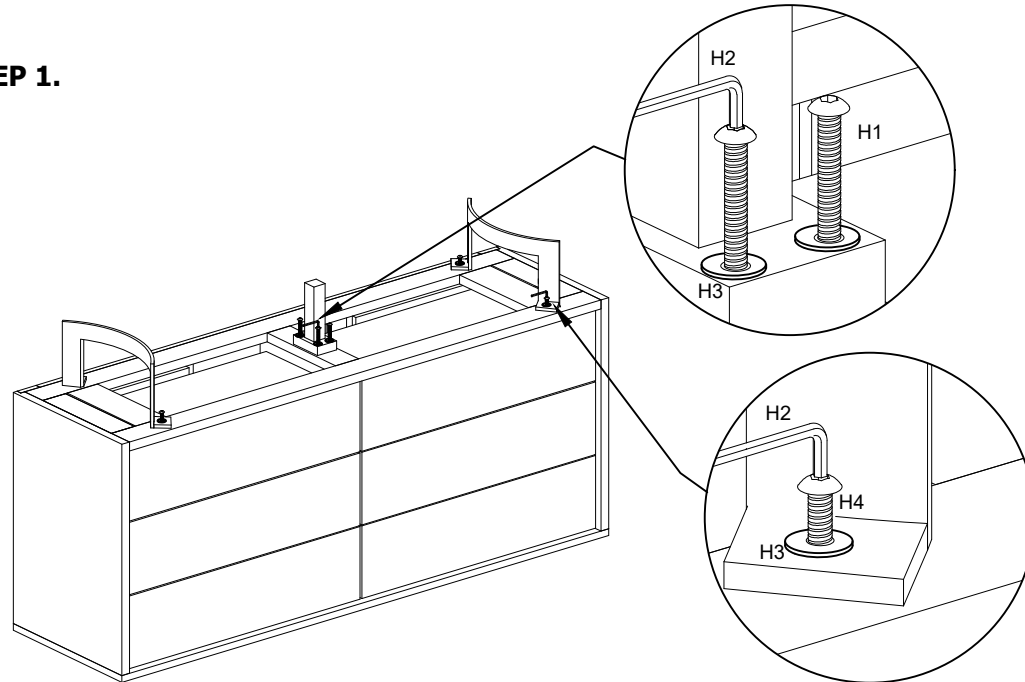
NO.	DESCRIPTION	IMAGE	QTY
H1	ALLEN BOLT- 6x30 mm		4
H2	ALLEN KEY		1
H3	WASHER		8
H4	ALLEN BOLT- 6x20 mm		4

NOTES.

Thank you for purchasing this quality product! Be sure to check all packing material carefully for small part that may have come loose inside the carton during shipping.

CAUTION: The item is heavy, assembly should be performed by two people.

STEP 1.



STEP 2.

