

ASSEMBLY INSTRUCTIONS

ITEM DESCRIPTION:

NAME: DUTCHESS
CHANDELIER

ITEM NO.: DMC24

MATERIAL TYPE: METAL

FINISH: ANTIQUE BRASS

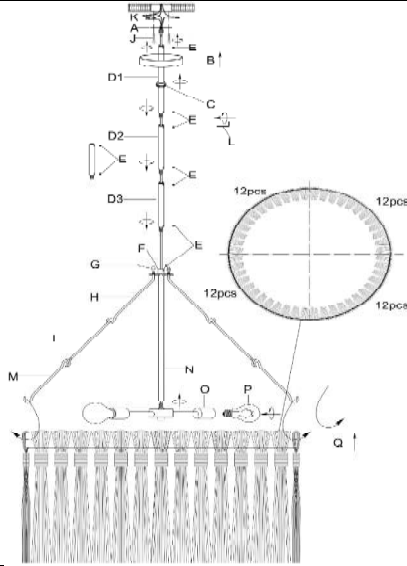
SOCKET TYPE: E26

SOCKET QTY: 4

BULB WATTAGE: 60W /13W CFL/8W LED

VOLTAGE: 110V-120V

ITEM NET WEIGHT: 21LBS



PARTS INCLUDED:

Mounting Plate (A)	Qty: 1Pc	Domed Cap Nut (G)	Qty:4Pcs
Canopy (B)	Qty: 1Pc	Hanging Hook (H)	Qty:4Pcs
Collar Loop (C)	Qty: 1Pc	Hanging Hook (I)	Qty:4Pcs
Rod (D)	Qty: 4Pcs	Hanging Hook (M)	Qty:4Pcs
Hex Screw (E)	Qty: 9Pcs	Lamp Assembly (O)	Qty:4Pcs
Lamp body (F)	Qty : 1Pc	Round String Metal Frame (G)	Qty:1Pc

HARDWARE INCLUDED:

Mounting Screws (J)	Qty : 2Pcs	Canopy Screws
Plastic Wire Connector (K)	Qty : 3Pcs	Allen Wrench (L) Qty: 1Pc
Green Ground Screw	Qty : 1Pc	

TO INSTALL YOU WILL NEED:

- 2 people recommended
- Phillips Screwdriver

These instructions are provided for safety. It is very important that they are read carefully and completely before beginning installation.

We strongly suggest that all hard-wired fixtures must be installed by a professional electrician.

For customer service questions call 1-800-338-2150



TO ASSEMBLE:

1. Shut off the main electrical supply from the main fuse box/circuit breaker.
2. Carefully unpack all fixture parts and hardware and lay them on a soft surface for assembly.
3. Gently pull wiring down from ceiling junction box and allow to hang.
4. Remove mounting plate from the canopy by unscrewing the collar.
5. Connect Lamp body(F) and canopy(B) with rod(D1,D2,D3,D4), when you connect the rods,loosen the hex screws(E) first then tighten with allen wrench(L) after all rods are connected. be sure all the hex screws(E) are tight enough. Then Connect The Lamp Assembly(O) with Lamp body(F) by turning Socket Assembly(O) clockwise until tight.
6. **Carefully inspect the pendant's fixture wires.Neutral fixture wire: White Hot fixture wire: Black Ground wire: Green**
7. Wrap ground wire of lamp assembly and ground wire of junction box together and fasten together with a wire Connector (K) and wrap the connection with electrical tape.
8. Attach the neutral fixture wire from the pendant to the neutral junctionbox wire (usually white). Fasten each together with a wire Connector (K) and wrap the connection with electrical tape.
9. Attach the hot fixture wire from the pendant to the hot junction box wire (usually black). Fasten each together with a wire nut and wrap the connection with electrical tape.DO NOT REVERSE THE HOT AND NEUTRAL CONNECTIONS OR SAFETY WILL BE COMPROMISED.
10. Gently tuck the wire connections neatly into the ceiling junction box.
11. Place the mounting plate(A) over the center of the ceiling junction box.
12. Align holes in mounting plate(A) with holes in junction box and attach with two mounting bolts. Secure bolts with a Phillips head screwdriver.
13. Push canopy (B) up over the mounting plate(A) until it is flush with the ceiling.
14. Push collar loop (C) through hole in canopy(B) and thread onto nipple on the mounting plate(A). Secure by turning collar loop (C) clockwise until canopy(B) is flush with the ceiling.
15. Attach the hanging hook(H) to the metal plate of the lamp body (F) , and secure it by using the domed cap nut (G). Then connect the hanging Hook (I) and (M) with Hanging Hook(H) together. Repeat the same operation on the other three hanging hooks. Then attach the bottom of hanging hook (M) to the metal frame(Q) respectively.
16. Insert 4 TYPE-A 60W /13W CFL/8W LED bulb(not included) into the socket(O). DO NOT EXCEED SPECIFIED WATTAGE OF PENDANT.
17. Restore power to junction box and test fixture.

CARE INSTRUCTIONS:

Wipe with a soft, dry cloth. To protect finish, avoid the use of chemicals and household cleaners.

ARTERIO RS