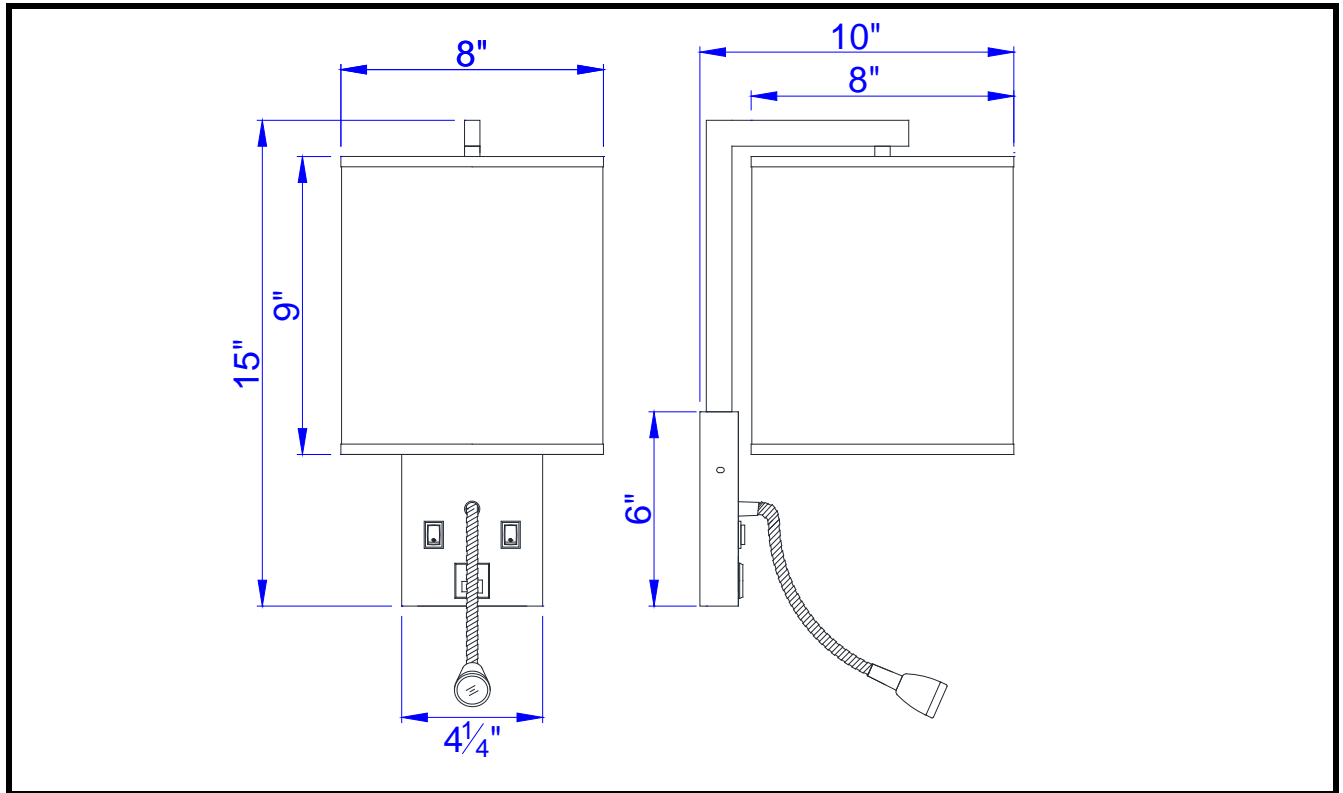




CAL LIGHTING

3625 E. Philadelphia St. Ontario CA. 91761 • Tel: 909.947.5200 • Fax:
909.947.5673 • www.calighting.com • service@calighting.com •
Specifications subject to change without notice

Type: _____
Project: _____
Catalog No.: _____
Lamp/Wattage: _____



- Model No:** LA-8029WL-1
- Description:** 1 Light Wall Lamp with 1W LED Goose Neck Light
- Material:** Metal
- Finish :** BS (Brushed Steel)
- Height:** 15"
- Base Width:** 6"X4 1/4"
- Reach:** 10"
- Wattage :** 60W + LED 1W 3000K
- Socket :** Medium Base (E27)
- Switch:** Rocker Switch x2
- Bulb:** Incandescent, CFL
- Power Outlet:** 1
- Wire Length:** 6'
- Wire Color:**
- Shade No:**
- Material:** Faut Silk
- Shade size:** (8"x8")x(8"x8")x9"
- Warranty:** Three Years
- Certificate :**

