

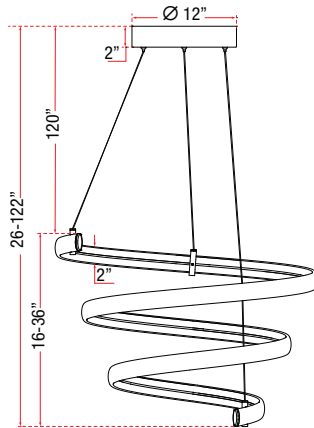
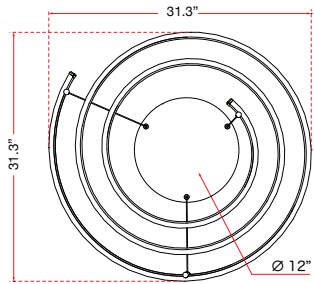


**ABRA MODEL** 10005PN-TS

**Oval Spring Pendant**

**FAMILY NAME** Sling

**UPC** 00858083007832



| FIXTURE MATERIAL |                                 |               |                 | FIXTURE DIMENSIONS IN INCHES |        |           |                 |                   |         |                    |     |                            |              |            |
|------------------|---------------------------------|---------------|-----------------|------------------------------|--------|-----------|-----------------|-------------------|---------|--------------------|-----|----------------------------|--------------|------------|
| Frame Material   | Finishes Available              | Diffuser Type | Diffuser Finish | Diameter                     | Height | o.a.h     | Width           | Length            | Ext     | Weight             | ADA | Location                   | Rating       | Compliance |
| Aluminum         | TS-Titanium Silver<br>BZ-Bronze | Acrylic       | White           | 31.5                         | 3.54   | 11 to 120 | 0.6             | 46.9              |         | 32                 |     | Ceiling Mount only         | Dry Location | cETL       |
| LAMPING          |                                 |               |                 |                              |        |           |                 |                   |         | Compatible Dimmers |     | Junction Box Type          |              | SUPPLIED   |
| Lamp Type        | Lamp qty                        | Wattage       | Max Wattage     | Base                         | Kelvin | CRI       | Initial Lumen's | Delivered Lumen's | Voltage | ELV                |     | Standard 4 x 4 Octagon Box |              | 10ft Cable |
| LED              | 1                               | 160w          | 160w            | Solid State Module           | 3000k  | 90+       | 13600           | 9520 estimated    | 120v    | SPECIAL NOTES      |     |                            |              |            |

**ABRA LIGHTING**  
NEOTERIC DESIGN

12151 Madera Way Riverside California 92503  
Phone: 949-940-1155 • Toll Free 800-295-7121  
www.abralighting.com

|                     |  |             |  |  |
|---------------------|--|-------------|--|--|
| <b>Project Name</b> |  |             |  |  |
| <b>Date</b>         |  | <b>Type</b> |  |  |