



LOCATION		DATE
PREPARED BY		QUANTITY
COMMENTS		FIXTURE TYPE
CATALOG NUMBER		

Madrid LED Fixed Rail MDRF Series

Features

This decorative dimmable fixed rail fixture features reliable high-performance LEDs. Available in oil-rubbed bronze or satin nickel finish. Heads swivel and pivot to direct light where desired. Applications for kitchens, retail environments, and anywhere that require direct spotlights. The fixture mounts to a standard junction box (not included).

Construction

The canopy is 22-gauge stamped steel and the rail is made of 20-gauge steel tube. Power supply connections must be made inside a junction box (not included).

Finish

All exposed metals are painted in a Oil-Rubbed Bronze (RB) or Satin Nickel (SN) finish with a clear lacquer topcoat.

Diffuser

Clear crackle glass with frosted lens.

Electrical

Input 120 VAC 60 Hz
Compatible with residential (TRIAC/ELV) dimmers.

LED

Integrated LED modules capable of producing:
21W, 1350 source lumens
3000K (CCT)
Rated for 50,000 hours, 80 CRI

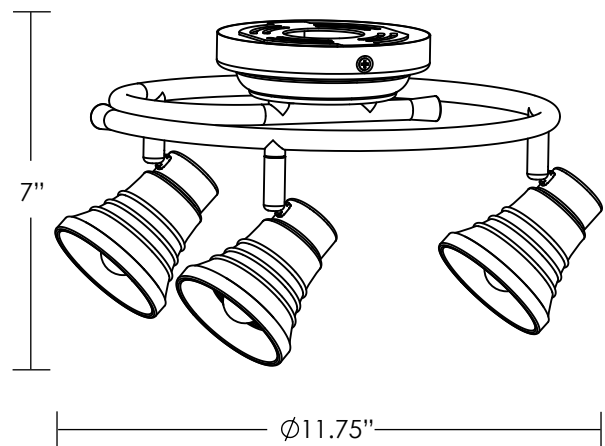
Certification

All fixtures are cETLus listed for damp locations.
ENERGY STAR®

Warranty

Limited warranty: This fixture is free from defects in materials and workmanship for a period of 5 years from date-of-purchase.

Specifications and dimensions
subject to change without notice.



Ordering Information:

Finish	Model	LED	Source Lumens	CCT	DIA.	H
Satin Nickel	MDRF1213L30SN	21W	1350	3000K	11-3/4"	7"
Oil-Rubbed Bronze	MDRF1213L30RB					