

INSTALLATION INSTRUCTIONS

Recessed LED Indirect Downlight

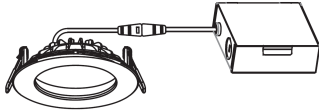
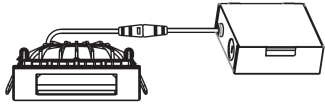
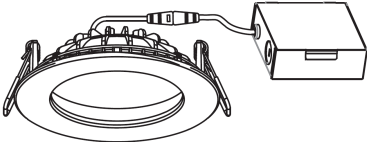
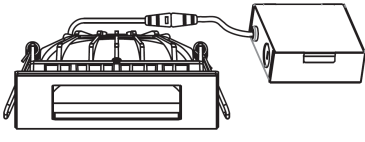


IMPORTANT SAFETY INSTRUCTIONS

When installing or using this luminaire, basic safety precautions should always be followed including the following:

1. Read all instructions before attempting to install this product.
2. Ensure main power is off before installing or wiring this luminaire.
3. This product must be installed in accordance with the applicable NEC and local codes by a person familiar with the construction and operation of the product and the hazards involved.
4. To prevent wiring damage or abrasion, do not expose wiring to edges of sheet metal or other sharp objects
5. Disconnect electrical power before adding to or changing the configuration of this product.
6. Save these installation instructions and refer to them when modifications are made.
7. Failure to follow safety instructions will void warranty.

Ceiling Cutout:

 <p>RLF-3112 – 3" Round Aperture LED Recessed Downlight Ceiling Cutout: 4-3/16" Ø Fits in minimum 1/4" and maximum 1" ceiling thickness</p>	 <p>RLF-3312 – 3" Square Aperture LED Recessed Downlight Ceiling Cutout: 4-3/16" x 4-3/16" Fits in minimum 1/4" and maximum 1" ceiling thickness</p>
 <p>RLF-5115 – 5" Round Aperture LED Recessed Downlight Ceiling Cutout: 6-3/16" Ø Fits in minimum 1/4" and maximum 1" ceiling thickness</p>	 <p>RLF-5315 – 5" Square Aperture LED Recessed Downlight Ceiling Cutout: 6-3/16" x 6-3/16" Fits in minimum 1/4" and maximum 1" ceiling thickness</p>

NOTE: Luminaire is IC rated, can be in direct contact with insulation.

INSTALLATION INSTRUCTIONS FOR REMODEL APPLICATIONS:

1. Cut an appropriate hole in the ceiling for the luminaire (see above).
2. Feed the electrical wires through the ceiling hole.
3. Open the provided junction box and remove the appropriate knockout(s)
4. Insert the power supply wire through the knockout and fasten with a wire cap or bushing.
5. Connect the ground wire to the yellow-green wire in the junction box. Black wire to the black wire and white wire to the white wire with wire nuts (Fig 1)
6. Put all the wires and connectors back into the junction box and secure the cover
7. Insert the junction box through the mounting hole in the ceiling. Let it sit freely above the ceiling or mount it to a ceiling joist (Fig 2)
8. Bend back the two torsion springs and insert the fixture into the hole checking that the fixture is held securely (Fig 3)

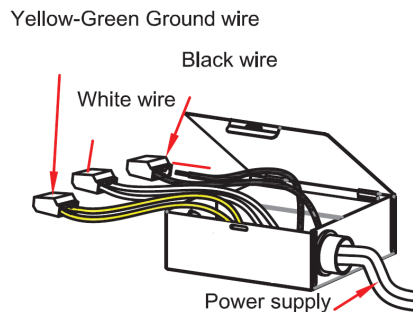


Fig 1

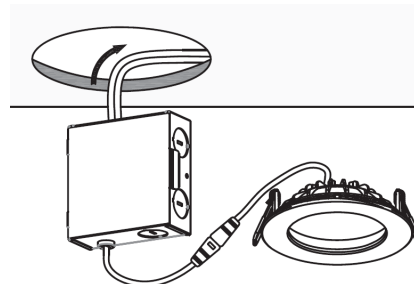


Fig 2

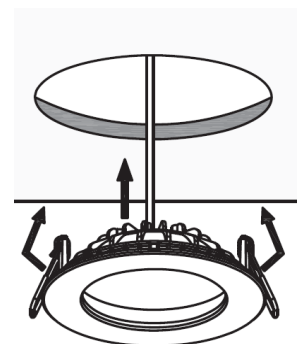


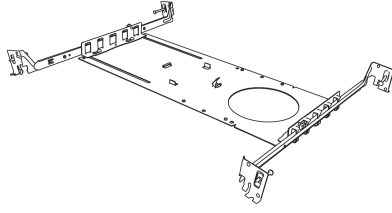
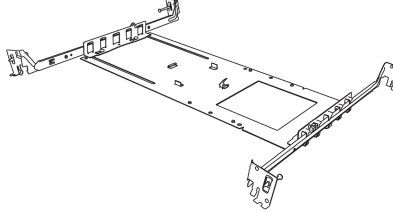
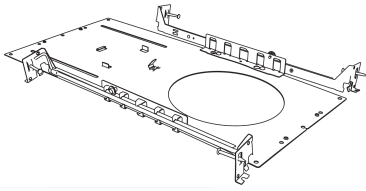
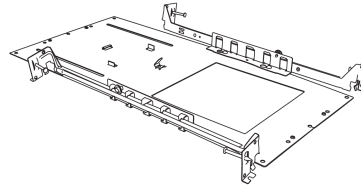
Fig 3

INSTALLATION INSTRUCTIONS

Recessed LED Indirect Downlight



New Construction Frames (Sold Separately)

 <p>RLF-31F Round Aperture New Construction Frame For RLF-3112</p>	 <p>RLF-33F Square Aperture New Construction Frame For RLF-3312</p>
 <p>RLF-51F Round Aperture New Construction Frame For RLF-5115</p>	 <p>RLF-53F Square Aperture New Construction Frame for RLF-5315</p>

INSTALLATION INSTRUCTIONS FOR NEW CONSTRUCTION APPLICATIONS:

1. Extend hanger bars to fit between joists. Align the flange of the hanger bar with the underside of the joists and nail the hanger bar to the hoist (Fig 4). Level the opposite end of the hanger bar and nail it securely to the joist. Repeat the process with the other hanger bar.
2. The hanger bars can be attached to the new construction plate on both the short and long sides as shown on the new construction frame drawings above.
3. Position fixture between joists at the desired location by sliding the new construction plate on the hanger bars. Once the housing is in the desired location, squeeze tabs into hanger bars to lock the plate into place (Fig 4)
4. Detach the provided junction box from the recessed light using the twist and lock connector. Snap in the provided junction box into the new construction frame and follow steps 3-6 from the INSTALLATION FOR REMODEL APPLICATIONS for wiring instructions.
5. Locate center of fixture opening in the ceiling sheetrock and cut appropriate hole in the ceiling for the luminaire.
6. Reattach the provided junction box to the recessed light using the twist and lock connector and bend back the two torsion springs and insert the fixture into the ceiling hole until fixture is held securely (Fig 5)

