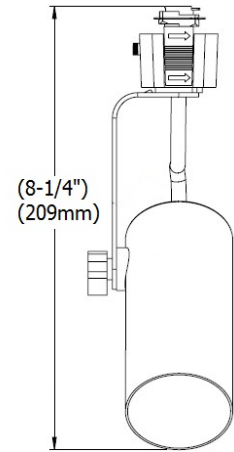
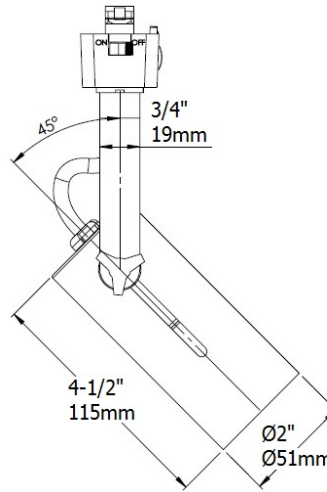
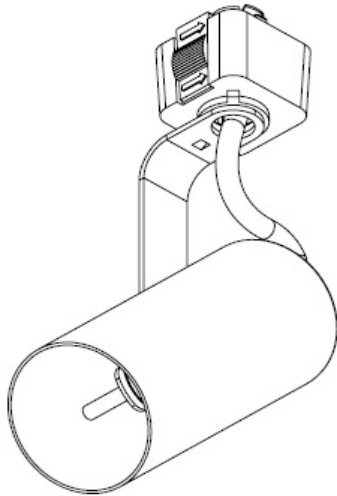




HV650

UNIVERSAL LAMPHOLDER TRACK LUMINAIRE

Type	
Project	
Catalog No.	



DESCRIPTION

Universal Halogen or LED track fixture in a minimal yet functional design. Detailed yoke with smooth transition line. Internally adjustable socket provides maximum concealment of lamp neck. Suitable for residential, retail or hospitality application.

CONSTRUCTION

- Molded polycarbonate track fitting.
- Spring loaded locking tab.
- Steel yoke and socket cover.
- Powder coat paint.
- 350° horizontal, ±90° vertical aim adjustment.

MOUNTING

Selection of three track fittings. Provides electrical and mechanical connection to single or two circuit track systems.

ELECTRICAL

Porcelain socket, E26 medium base. Integral ON/OFF switch.

DIMMING

JESCO HV650 track luminaire is compatible with most dimming protocols prevalent in the United States. Please consult lamp manufacturer for latest compatibility information.

LAMPS

- Halogen or LED, E26 medium base 120V
- PAR20 50W max
- PAR30S or PAR30L 75W max
- PAR38 250W max

LABELS

cETLus Listed

WARRANTY

18 months

ORDERING INFORMATION

SYSTEM	SERIES	FINISH
H2 = Jesco H1 Track or Halo ¹ Power-Trac L2 = Jesco L Track or Lightolier ² Lytespan Track J2 = Jesco J1, J2 or Juno ³ Trac-Master	HV650	BK – Black WT – White
	HV650	

Notes:
¹Halo is a registered trademark of Cooper Lighting.
²Lightolier is a registered trademark of Philips Lighting.
³Juno is a registered trademark of Juno Lighting.



www.jescolighting.com
support@jescolighting.com
Tech Support: 855.592.0029

15 Harbor Park Drive
Port Washington, NY 11050
Main Line: 800.527.7796
Fax Line: 855.265.5768

219 South 6th Ave
City of Industry, CA 91746
Main Line: 855.654.0110
Fax Line: 626.333.2955

Specifications subject to change without notice.