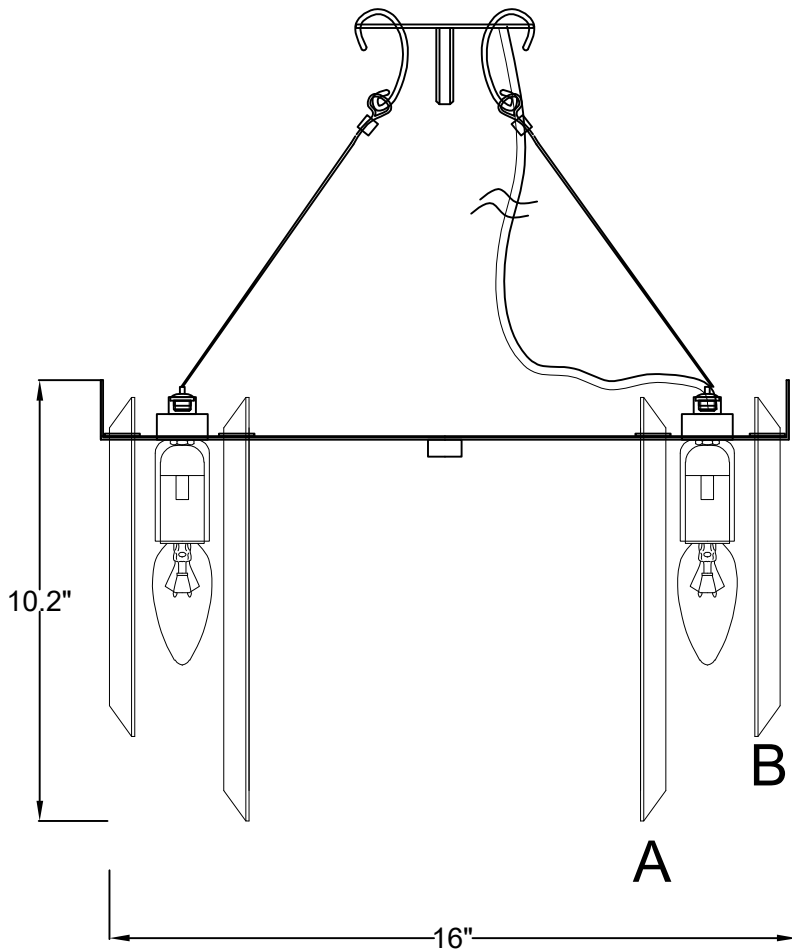


CRYSTORAMA

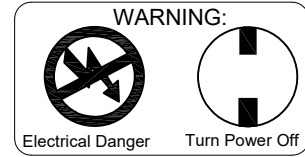
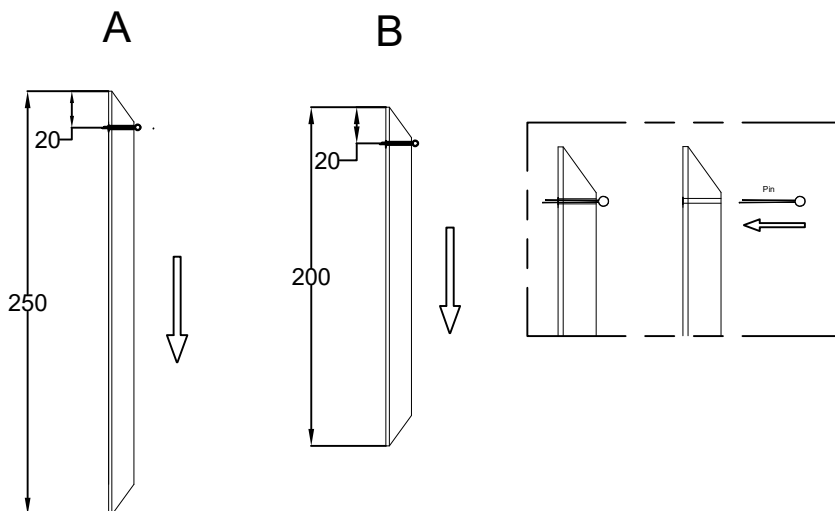


LIGHTING THE WAY FOR SIXTY YEARS

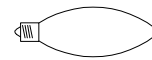
ASSEMBLY INSTRUCTION MODEL #HAY-1400-PN



DETAILED ILLUSTRATION



WARNING:
All electrical components must be installed by a licensed electrician in accordance with the National Electric Code and the appropriate local electrical codes.



You will need 4-Candelabra Base Bulb
40 Watts Recommended 60 Watts Max
USE LED BULBS FOR EXTENDED USE

The fixture is dry rated

How to Install

1. Attach the mounting plate onto the outlet box using two outlet screws.
2. Hang the frame onto the mounting plate by hooking the cable wire into the slots as shown.
3. Install bulbs (not included) and proceed to connecting the power.
4. Insert the pin into crystal and then Insert the crystal onto the band ring.
5. After all the crystal are installed, raise the fixture up to the ceiling and secure with the finial.

Crystal Sets

- A. 21Sets. (1)30x250mm
- B. 32Sets. (1)30x200mm

WARNING: This product can expose you to Lead, which is known to the State of California to cause cancer and/or birth defects or reproductive harm. For more information go to www.P65Warnings.ca.gov

CRYSTORAMA



LIGHTING THE WAY FOR SIXTY YEARS

PART NUMBER MODEL #HAY-1400-PN

Part Number

Part Numbers

- A. (2)-Wire Connector
- B. (1)-Mounting Plate
- C. (2)-Outlet Box Screws
- D. (1)-Ground Wire
- E. (2)-Cable Wire
- F. (1)-Frame
- G. (1)-Washer
- H. (1)-Nut
- I. (1)-Check Ring
- J. (1)-Finial (XFB1400PNFIN)

PART BAG I : Includes Parts A, C

