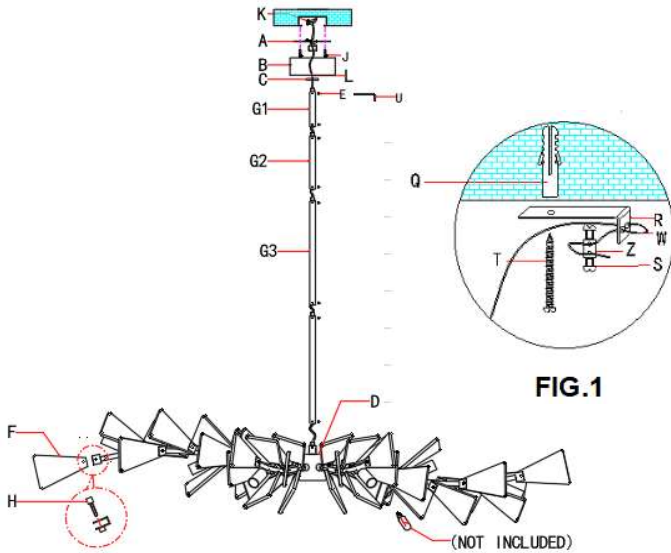


# ASSEMBLY INSTRUCTIONS

## ITEM DESCRIPTION:

ITEM NO.:DLC25	NAME: DELMAR CHANDELIER
MATERIAL TYPE: METAL+GLASS	FINISH: ANTIQUE BRASS
SOCKET TYPE: E12	SOCKET QTY: 16
BULB WATTAGE: TYPE T 60W	
VOLTAGE: 100V-120V	ITEM NET WEIGHT: 15KG



## PARTS INCLUDED:

Mounting Plate (A)	Qty:1PC	Power Wire(L)	Qty:1PC
Canopy (B)	Qty:1PC	Anchor (Q)	Qty:1PC
Collar (C)	Qty:1PC	Bracket(R)	Qty:1PC
Lamp Body (D)	Qty:1PC	Coupling (Z)	Qty:1PC
Hex Screw (E)	Qty:12PCS	Aircraft Wire(W)	Qty:1PC
Glass panel(F)	Qty:56PCS	Screw(S)	Qty:2PCS
Rod (G1,G2,G3,G4)	Qty:4PCS	Strengthened Screw(T)	Qty:1PC
Thumb-Screw (H)	Qty:56PCS	Allen Wrench(U)	Qty:1PC
Mounting Screw(J)	Qty:2PCS		
Plastic Wire Connector(K)	Qty:3PCS		

## HARDWARE INCLUDED:

Mounting Screws	2	Hexangular Screw	12
Plastic Wire Connector	3	Allen Wrench	1
Green Ground Screw	1		

## TO INSTALL YOU WILL NEED:

- 2 people recommended
- Phillips Screwdriver
- Allen wrench

These instructions are provided for safety. It is very important that they are read carefully and completely before beginning installation of this chandelier.

We strongly suggest that all hard-wired fixtures must be installed by a professional electrician.

For customer service questions call 1-800-338-2150  
Arteriors Home: 972-488-9800 Arteriors Contract: 972-488-9800 Ext. 321



## TO ASSEMBLE:

1. Shut off the main electrical supply from the main fuse box/ circuit breaker.
  2. Carefully unpack all fixture parts and hardware and lay them on a soft surface for assembly.
  3. Gently pull wiring down from ceiling junction box and allow to hang.
  4. Pass the power wire(L) through the rod (G4),(G3),(G2)&(G1),screw the rod(G4) to lamp body(D) till tight,repeat the same operation on the rod(G3),(G2)and rod(G1). When you connect the rods,loosen the small hex screws(E) in the side hole first then tighten with allen wrench(U) after all rods are connected. Be sure all the hexangular screws are tight enough.
  5. Remove mounting plate from the canopy by unscrewing the collar.
  6. Put the collar (C) and canopy(B) into the rod (G1) in turn, then pass the power wire through the mounting plate(A).Screw the rod(G1) to the nipple of mounting plate(A) till tight.
  7. Drill one hole on the ceiling and insert anchor(Q) into drilled hole. Then fix bracket(R) to the ceiling with strengthened screw (T) by screwing into anchor(Q). Remove the coupling(Z) from the aircraft wire(W) by loosening (2) screws(S). Pass the aircraft wire(r) through (2) holes on the bracket(R). Then pass the aircraft wire(W) through (2) holes on the coupling(Z) and fix with (2) screws(S) as FIG1 .or you can find more details on next page. Be sure to tighten two screws attached on the coupling(Z).
  8. Carefully inspect the chandelier's fixture wires.  
Neutral fixture wire: It has very fine ridges molded into its plastic covering.  
Hot fixture wire: It has a smooth covering  
Ground wire: Bare wire
  9. Wrap ground wire of lamp assembly and ground wire of junction box together and fasten together with a wire nut and wrap the connection with electrical tape.
  10. Attach the neutral fixture wire from the chandelier to the neutral junction box wire. Fasten each together with a wire nut and wrap the connection with electrical tape.
  11. Attach the hot fixture wire from the chandelier to the hot junction box wire. Fasten each together with a wire nut and wrap the connection with electrical tape.
- DO NOT REVERSE THE HOT AND NEUTRAL CONNECTIONS OR SAFETY WILL BE COMPROMISED.
12. Gently tuck the wire connections(K) neatly into the ceiling junction box.
  13. Place the mounting plate(A) over the center of the ceiling junction box.
  14. Align holes in mounting plate(A) with holes in junction box and attach with two mounting bolts(J). Secure bolts with a Phillips head screwdriver.
  15. Push canopy(B) up over the mounting plate(A) until it is flush with the ceiling.
  16. Push collar(C) through hole in canopy(B) and thread onto nipple on the mounting plate(A). Secure by turning collar(C) clockwise until canopy(B) is flush with the ceiling.
  17. Insert 16 Type T 60W bulbs (or /CFL 12W or /LED 10W, not included) into the socket (H). DO NOT EXCEED THE SPECIFIED WATTAGE.
  18. Attached the glass panel(F) on the lamp body(D), then fix it with set of the thumb-screw (H) . Repeat the same operation on the other glass panels(F).
  19. Restore power to the junction box and test fixture.

## CARE INSTRUCTIONS:

Wipe with a soft, dry cloth. To protect finish, avoid the use of chemicals and household cleaners.

ARTERIOS

# AIRCRAFT WIRE ASSEMBLY INSTRUCTIONS

1. Attach the AIRCRAFT WIRE(Q) to a solid structure in accordance to local building code.
2. Position the BRACKET(R) in desired location on ceiling and mark one spot with pencil to drill hole.  
Drill 1 hole on the spot and insert ANCHOR(C) into drilled hole.
3. Fix BRACKET(R) with STRENGTHENED SCREW (E) by screwing into ANCHOR(C).  
If attach to cement ceiling, use ANCHOR(C) first then screw STRENGTHENED SCREW (E) into the ANCHOR(C).  
If attach to wood ceiling, thread STRENGTHENED SCREW (E) directly into ceiling.
4. Remove the COUPLING(S) from the AIRCRAFT WIRE(Q) by loosening the (2) SCREWS(P) before installation.
5. Pass the AIRCRAFT WIRE(Q) through the (2) holes on the BRACKET(R) as the drawing shows.
6. Then pass the AIRCRAFT WIRE(Q) through the (2) holes on the COUPLING(S) and fix with (2) SCREWS(P).  
And then tighten (2) SCREWS(P). with a screwdriver.

