

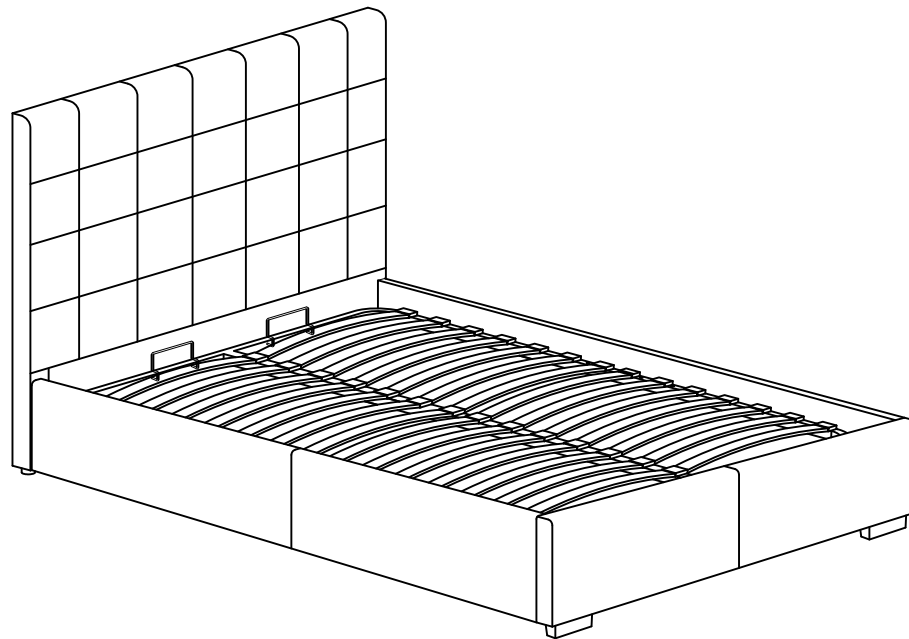
MOE'S

home collection

ASSEMBLY INSTRUCTIONS.

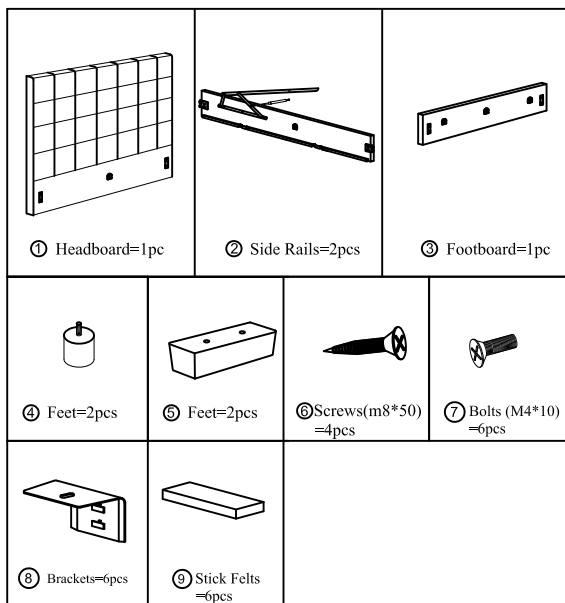
BELLE STORAGE BED KING LIGHT GREY FABRIC

RN-1001-29

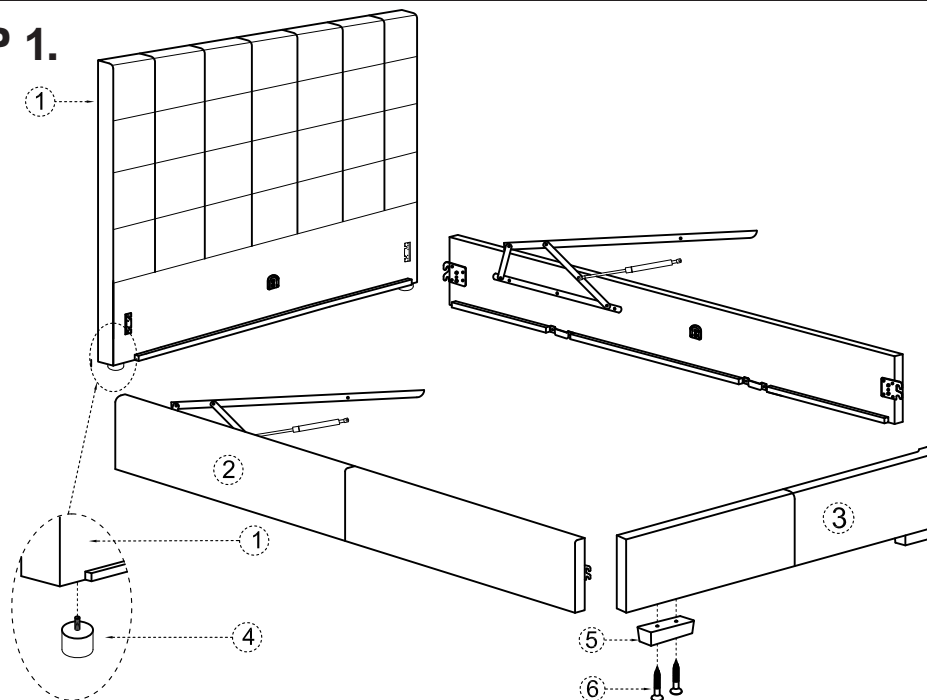


THANK YOU FOR YOUR PURCHASE!

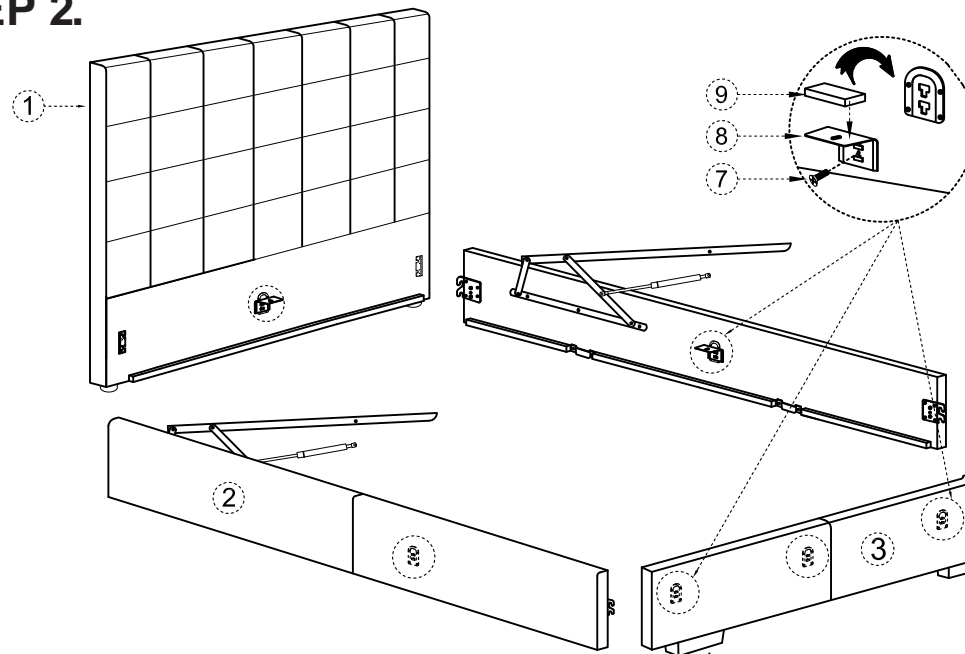
PARTS AND HARDWARE.



STEP 1.



STEP 2.

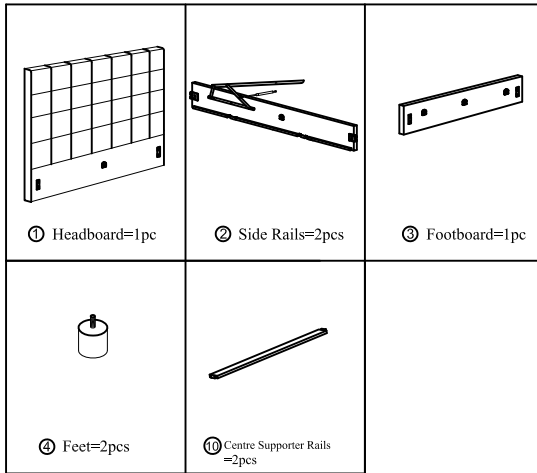


NOTES.

Thank you for purchasing this quality product! Be sure to check all packing material carefully for small part that may have come loose inside the carton during shipping.

CAUTION: The item is heavy, assembly should be performed by two people.

PARTS AND HARDWARE.

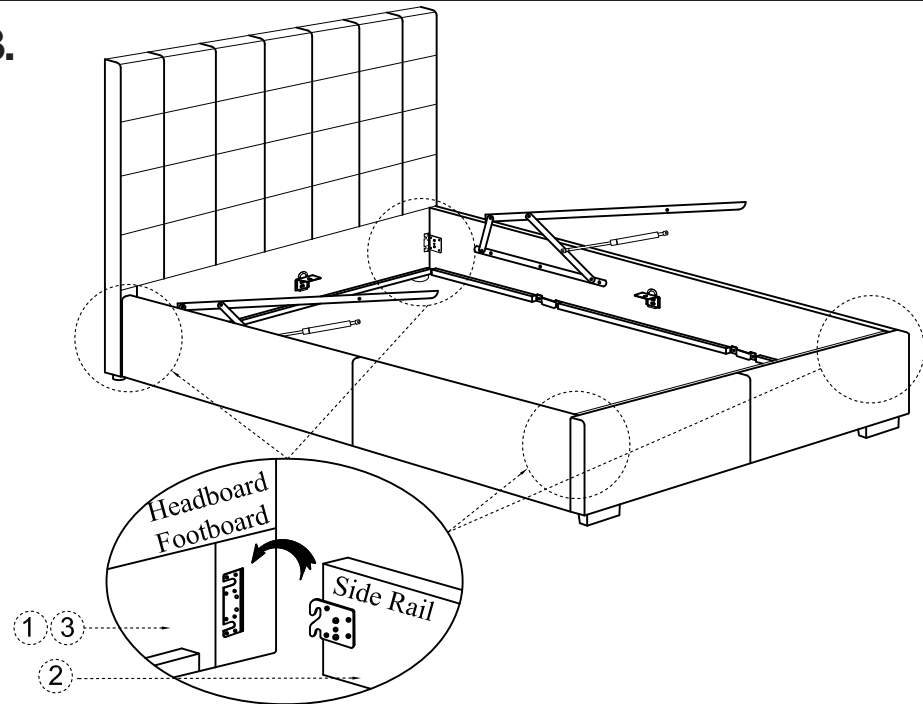


NOTES.

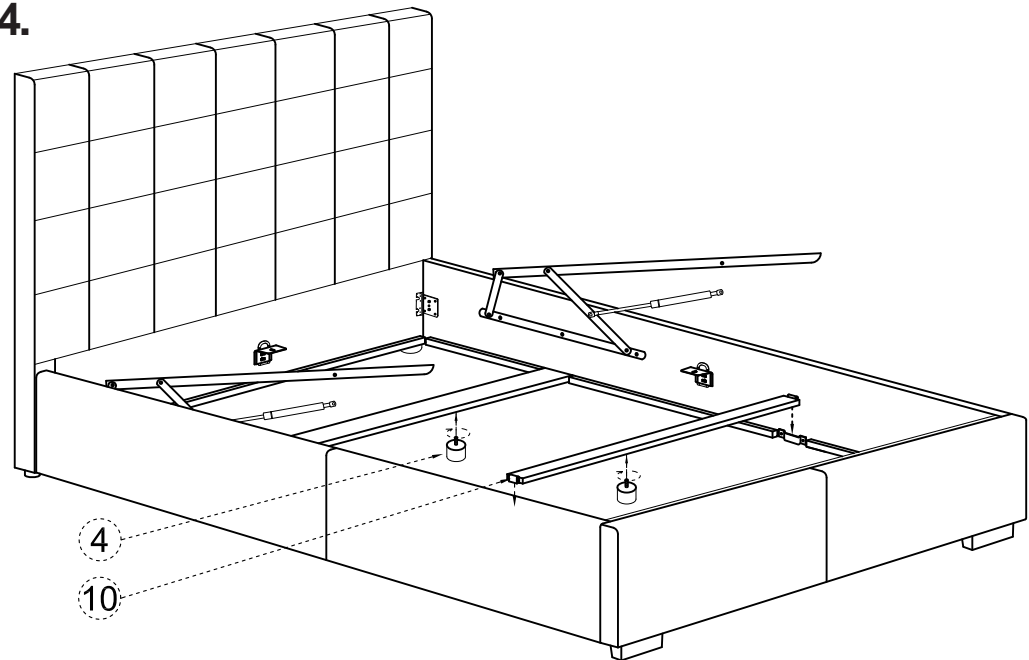
Thank you for purchasing this quality product! Be sure to check all packing material carefully for small part that may have come loose inside the carton during shipping.

CAUTION: The item is heavy, assembly should be performed by two people.

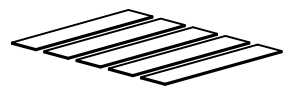
STEP 3.



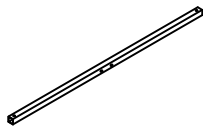
STEP 4.



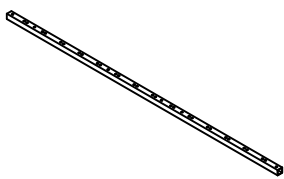
PARTS AND HARDWARE.



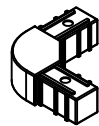
①① Baseboards
=5pcs



①② Tube slat frame
=2pcs



①③ Tube slat frame
=2pcs



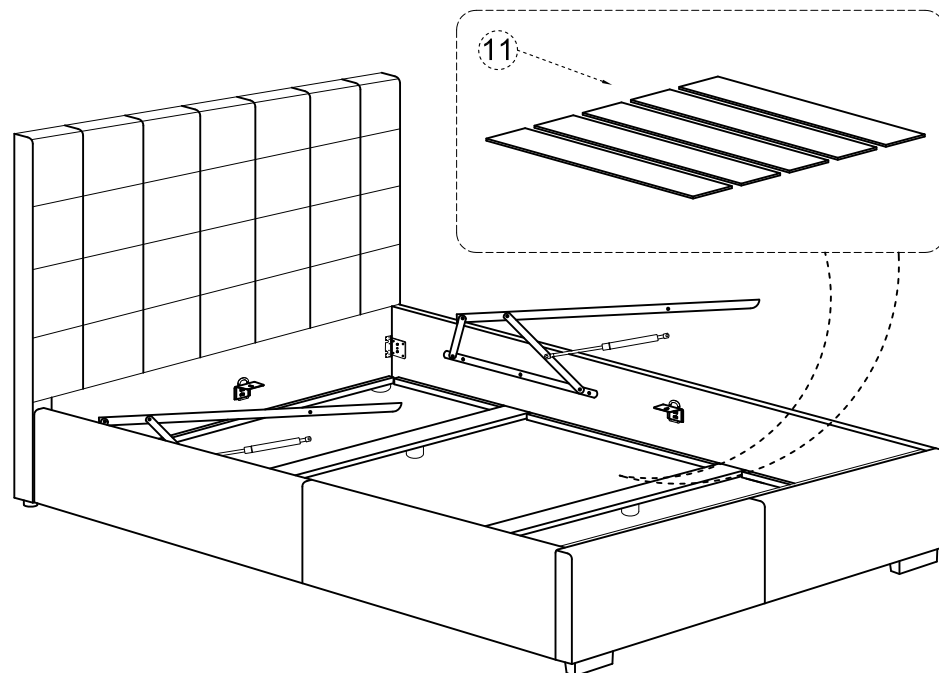
①④ Connect for slat
frame =4pcs

NOTES.

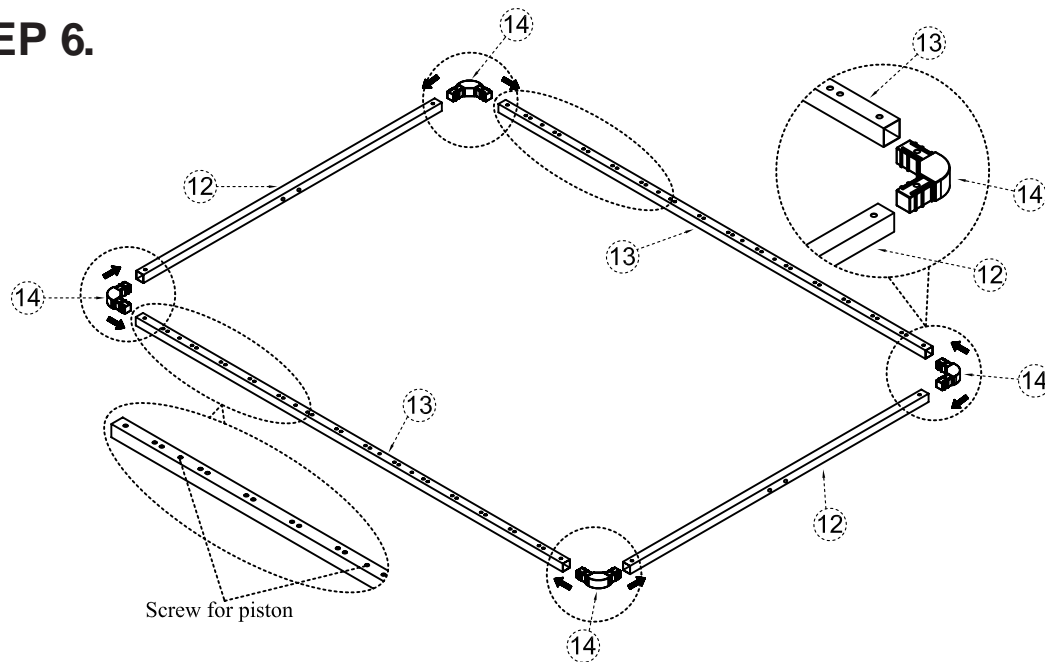
Thank you for purchasing this quality product! Be sure to check all packing material carefully for small part that may have come loose inside the carton during shipping.

CAUTION: The item is heavy, assembly should be performed by two people.












STEP 5.



STEP 6.



PARTS AND HARDWARE.

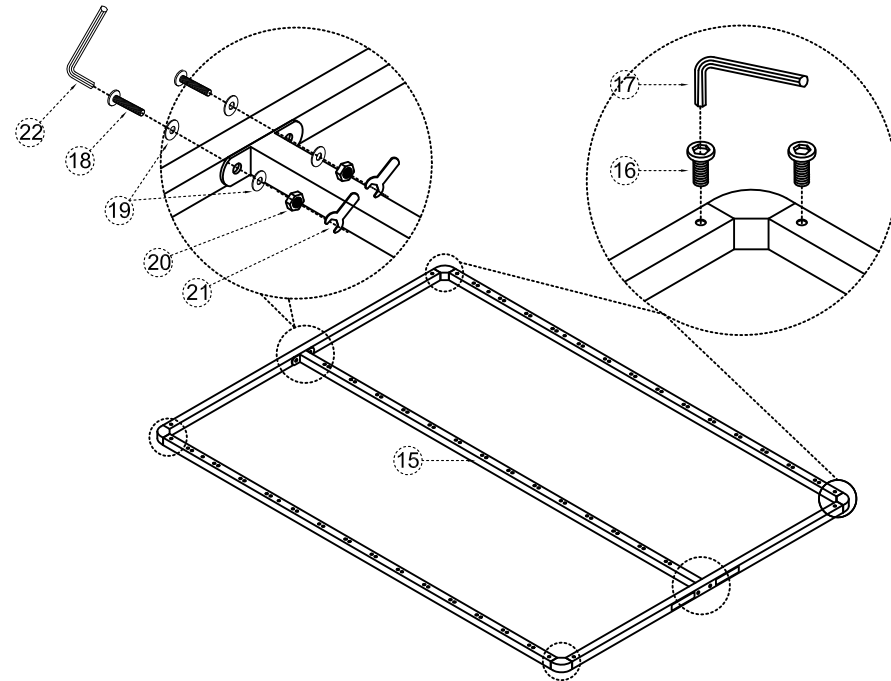
 ⑮ Tube slat frame =1pc	 ⑯ Bolts(Ø6*10) =8pcs	 ⑰ (m4) Allen Key=1pc
 ⑱ Bolts(Ø8*45) =4pcs	 ⑲ Washers(m8) =8pcs	 ⑳ Nuts(Ø8) =4pcs
 ㉑ Spanner=1pc	 ㉒ (m5) Allen Key=1pc	 ㉓ Wid plastic cap(Big) = 14 Pcs
 ㉔ End plastic cap(Small) = 28 Pcs	 ㉕ Slats = 28 Pcs	

NOTES.

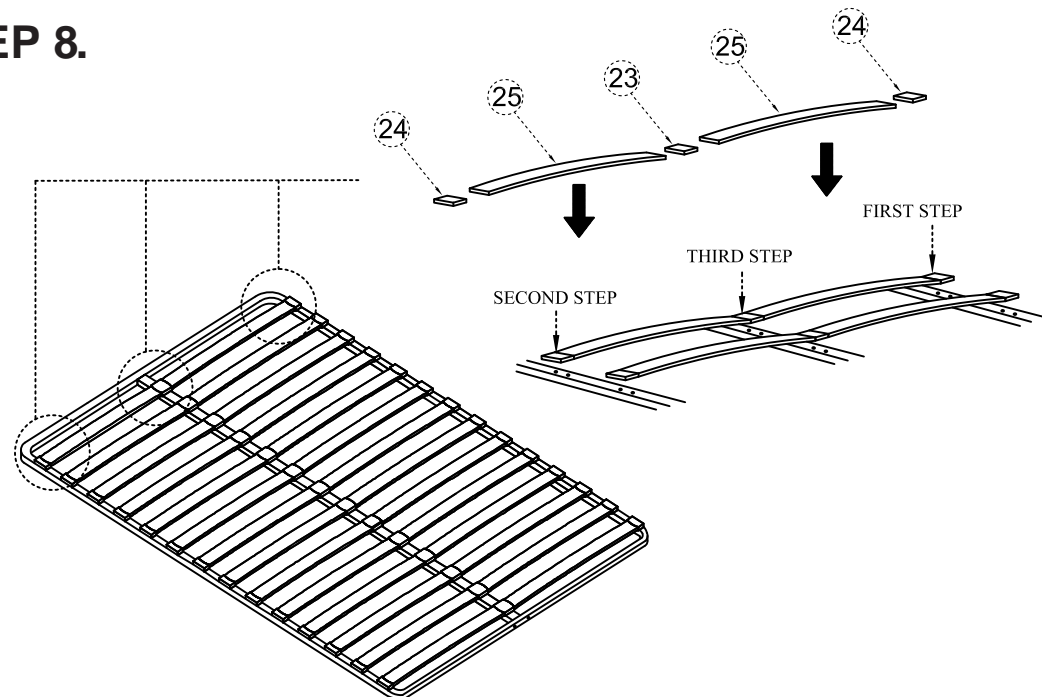
Thank you for purchasing this quality product! Be sure to check all packing material carefully for small part that may have come loose inside the carton during shipping.

CAUTION: The item is heavy, assembly should be performed by two people.

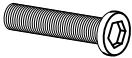




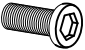
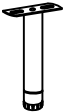
STEP 7.



STEP 8.



PARTS AND HARDWARE.

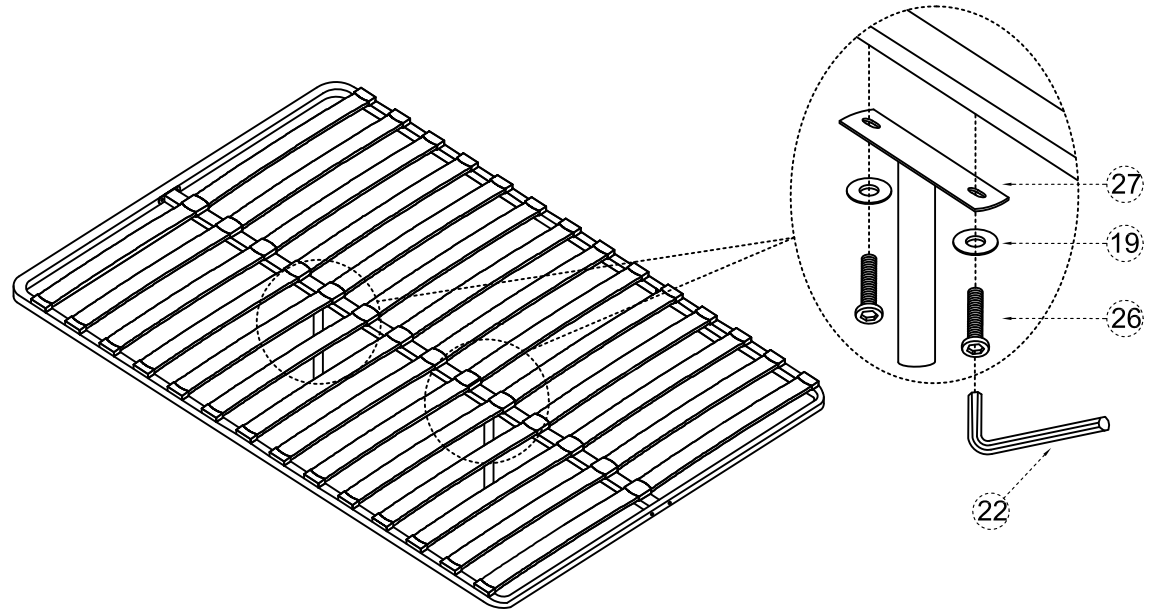
 18 Bolts(Ø8*45) =8pcs	 19 Washers(m8) =20pcs
 20 Nuts(Ø8) =8pcs	 21 Spanner=1pc
 22 Allen Key=1pc (m5)	 26 Bolts(Ø8*20) =4pcs
 27 Metal Support legs=2pcs	

NOTES.

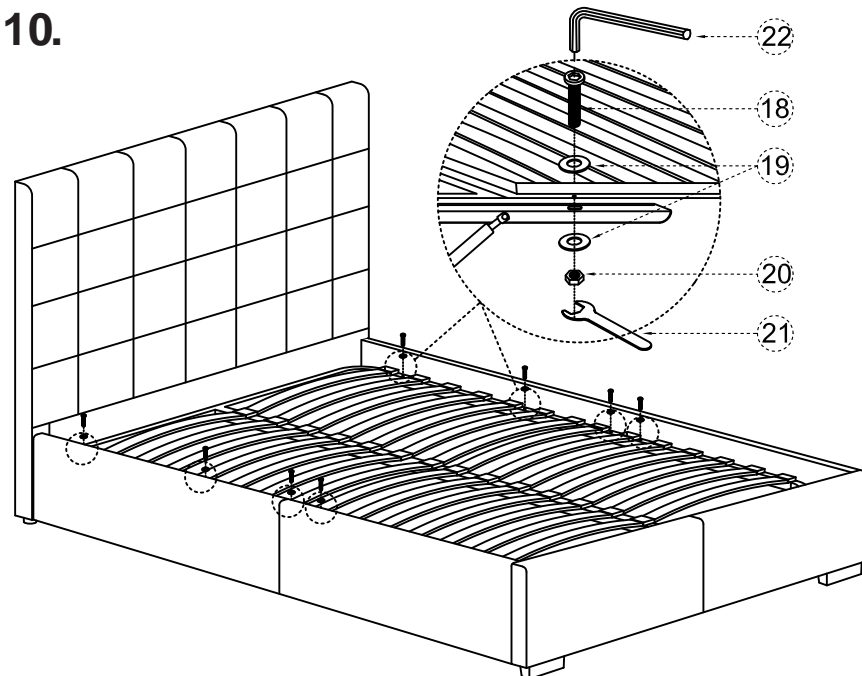
Thank you for purchasing this quality product! Be sure to check all packing material carefully for small part that may have come loose inside the carton during shipping.

CAUTION: The item is heavy, assembly should be performed by two people.

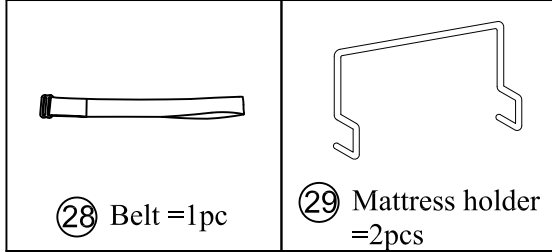
STEP 9.



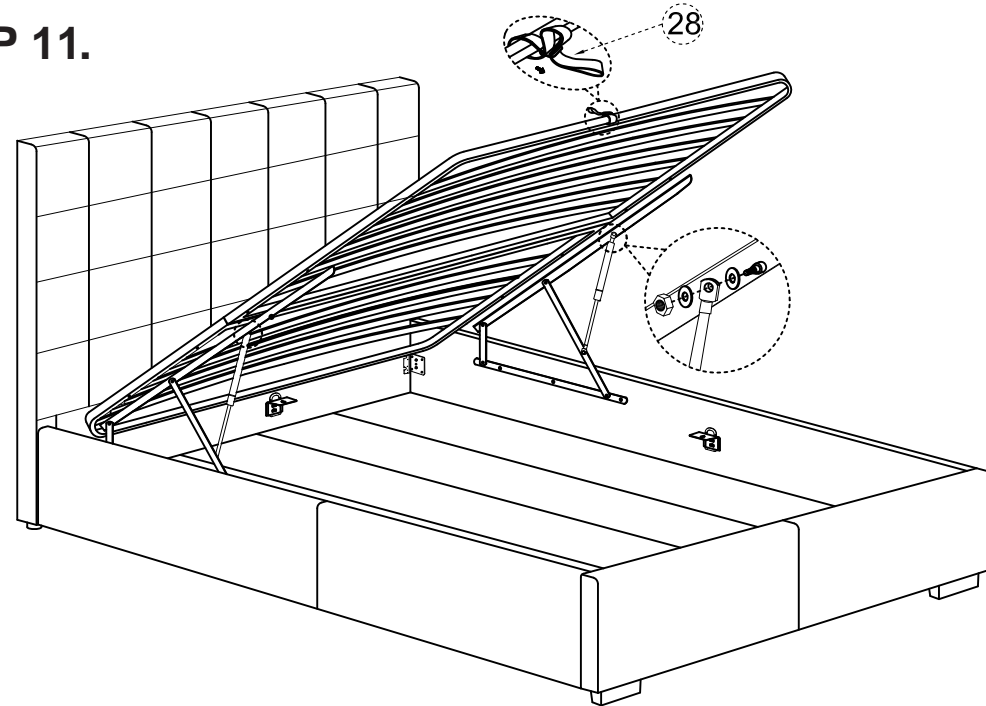
STEP 10.



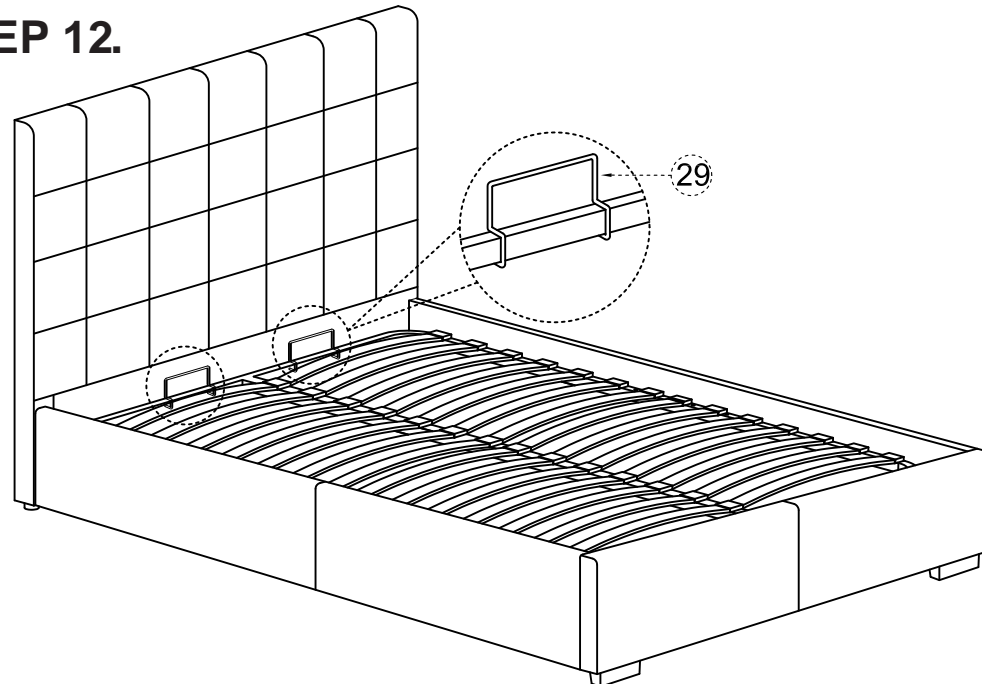
PARTS AND HARDWARE.



STEP 11.



STEP 12.



NOTES.

Thank you for purchasing this quality product! Be sure to check all packing material carefully for small part that may have come loose inside the carton during shipping.

CAUTION: The item is heavy, assembly should be performed by two people.