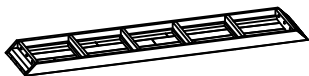





A. TABLE TOP x 1 	B. LEGS x 2 	C. BOLT M8-60 x 6 	D. WASHER M8-19 x 6 
E. 13mm HEX WRENCH x 1 