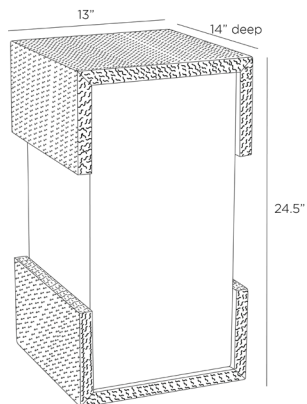


# ARTERIOS

## EXETER ACCENT TABLE



FA115  
H: 24.5 IN, W: 13 IN, D: 14 IN  
Smoke  
Contract Suitable As Is

Clasp details solve the puzzle of making a simple form more impactful. This offset block style's bronze brass clad accents punctuate a square base of smoke-hued mango wood. Finish will vary.

### APPEARANCE

Material	Brass, Wood
Material Type	Clad, Mango
Finish	Smoke
Finish Will Vary	true
Top Coat/Sealant	true

### DIMENSIONS

Foot Print	W: 13 IN, D: 14 IN
Diagonal Dimension	28.5 IN

### SHIPPING

Product Weight	36 LBS
Gross Weight 1	42 LBS
Shipping Box 1	H: 17 IN, L: 16 IN, W: 27 IN

### CONTRACT

Contract Suitable	true
-------------------	------