



CAL LIGHTING

3625 E. Philadelphia St. Ontario CA. 91761 • Tel: 909.947.5200 • Fax:
909.947.5673 • www.calighting.com • service@calighting.com •
Specifications subject to change without notice

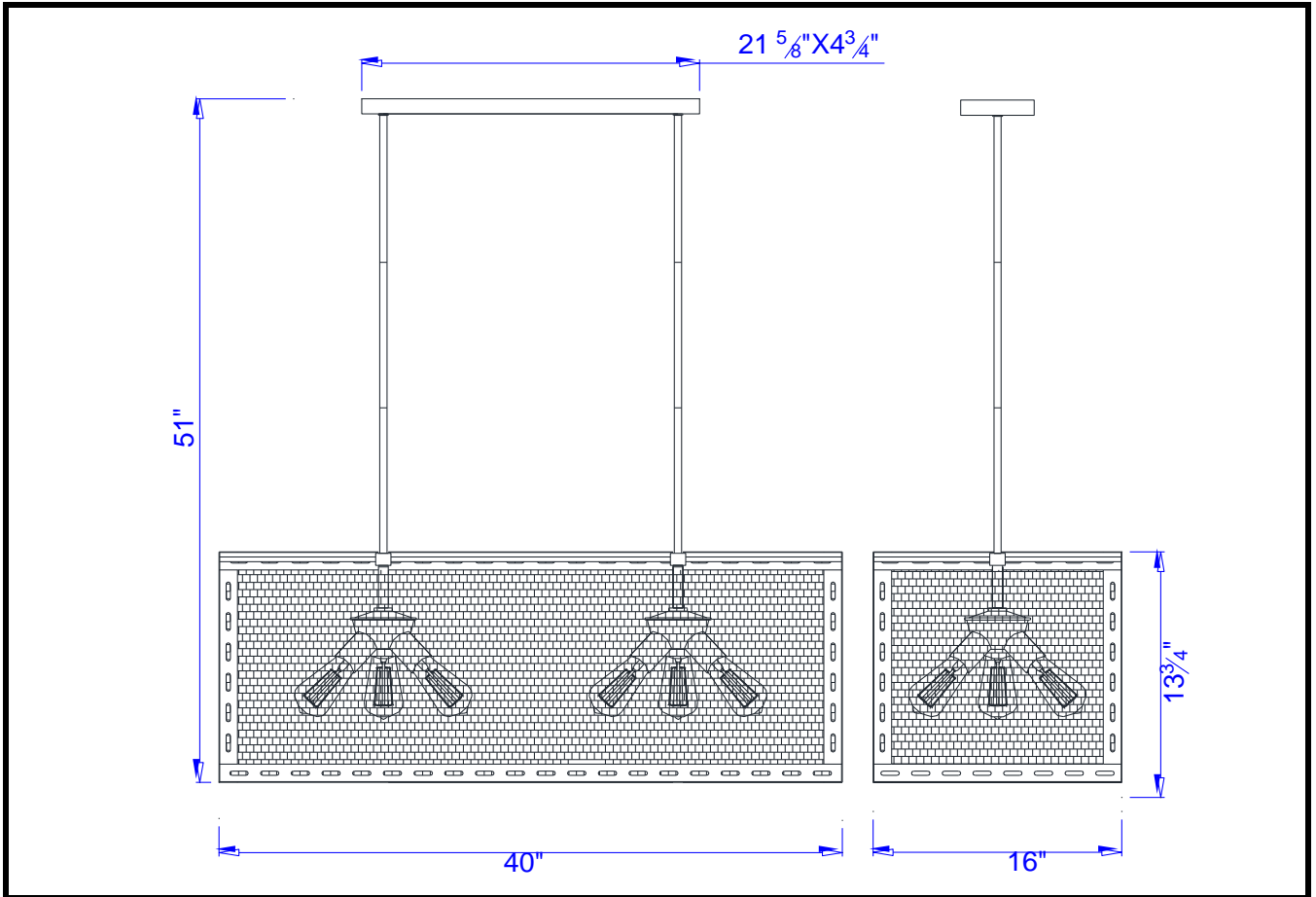
Type: _____

Project: _____

Catalog No.: _____

Lamp/Wattage: _____

Drawing:



- Model No:** FX-3625-6
- Description:** 60W x 6 Evanston metal mesh chandelier
- Material:** Metal
- Finish :** Iron
- Height:** 13 3/4"
- Width:** 40"X16"
- Wattage :** 60WX6
- Socket :** Medium Base (E26)
- Bulb:** Incandescent,CFL
- Chain Length:**
- Wire Length:**
- Wire Color:**
- Shade No:**
- Material:** Metal
- Shade size:** W40"XL16"XH16"

Certificate :

