

LIVING DISTRICT

Collection: KORA

Installation manual for:

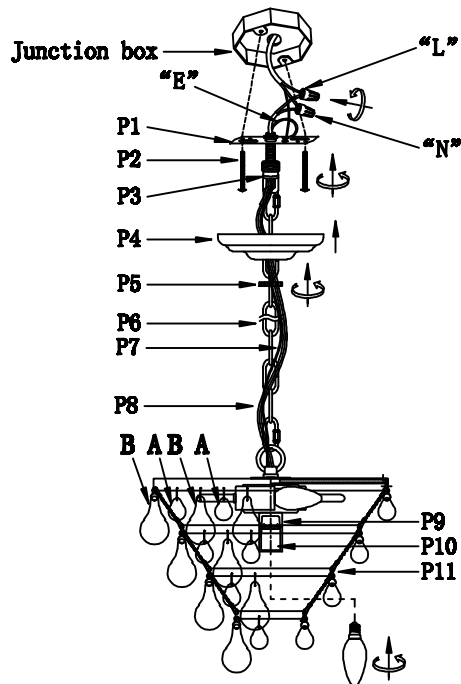
LD5016D13 D13"H10.9"L3

Installation instructions:

1. Black wire from ceiling(junction box) attaches to "L" wire from the fixture.
2. White wire from ceiling(junction box) attaches to "N" wire from the fixture.
3. "E" wire from the fixture is attached to the mounting bracket and an additional "E" wire from the mounting bracket must be secured to the junction box.
4. Secure mounting bracket to the junction box.
5. Insert screws(P2) in side of top unit the mounting bracket.
6. Fix the loop (P3) to screw tube, then cover the canopy (P4) and fix it by canopy ring(P5).
7. Hanging crystal string (A-B-A-B... ..) on lampbody(P11).
8. Install the bulbs(not included) into the lamp fixture.

The end!

PARTS LIST



part	picture	Description	Qty	Check list
P1		14" Mounting bracket	1	
P2		5/32-32 Screw	2	
P3		Canopy loop (Canopy part)	1	
P4		ø5.3" canopy plat	1	
P5		Canopy ring (Canopy part)	1	
P6		159" CHAIN04P Plain Design	1	
P7		ground wire	1	
P8		Power Cord 79" SPT-1-18# Clear	1	
P9		D1. 2" x L2" metal lampcap	3	
P10		E12 lampholder	3	
P11		D11.8" x H8.8" lampbody	1	
A		H1.2" Crystal	40	
B		H2.4" Crystal	40	

"L" = Hot wire
 "N" = Neutral wire
 "E" = Ground wire