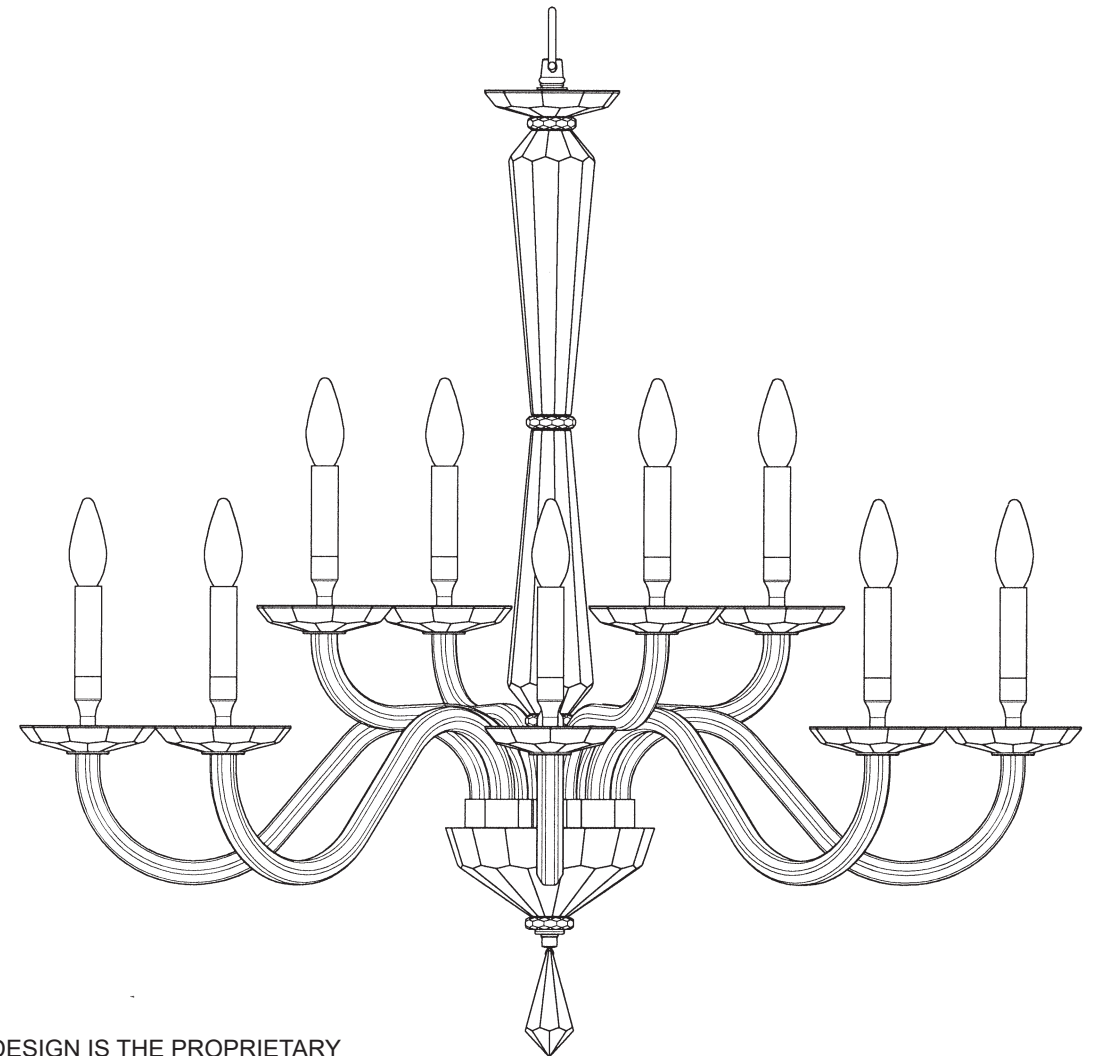




# HABSBURG S9235- \_\_ \_\_ O

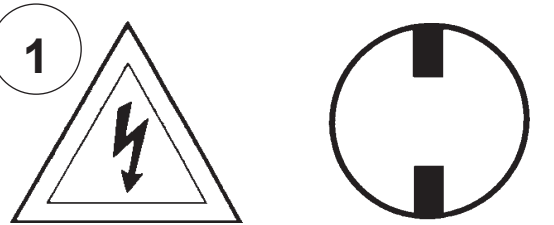


**T**HIS DESIGN IS THE PROPRIETARY  
TRADE DRESS/TRADEMARK OF  
W SCHONBEK LLC.



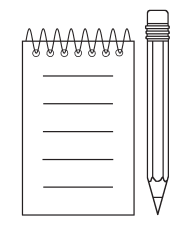
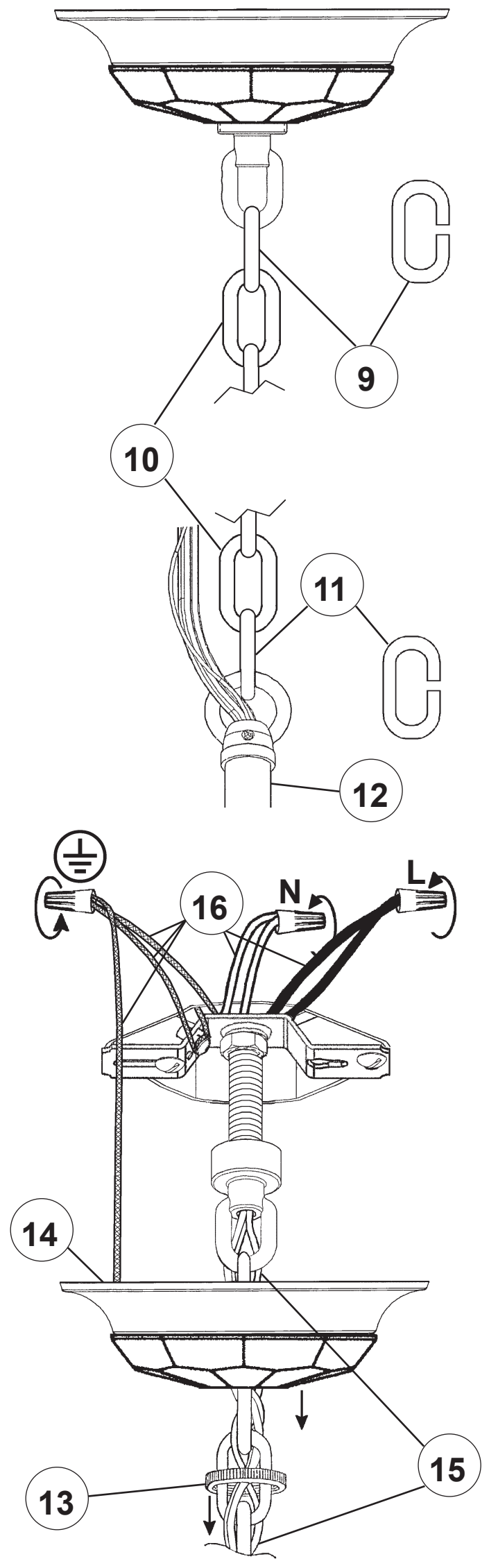
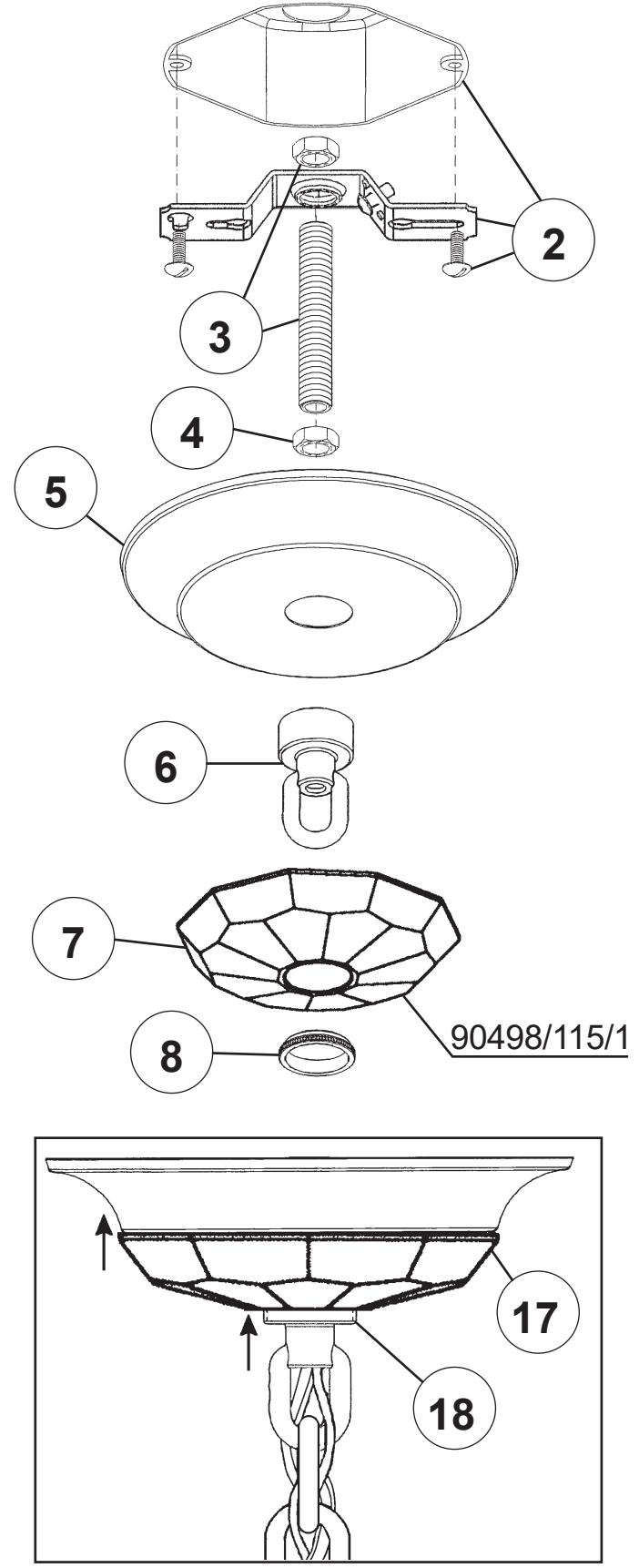
MAX <u>60</u> W	110-120 V							

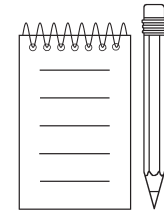
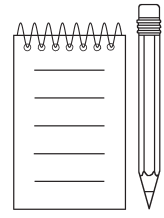
**WARNING:**

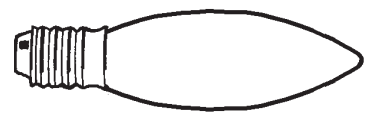
1 

**Electrical Danger Turn Power Off**

All electrical components must be installed by a licensed electrician in accordance with the National Electric Code and the appropriate local electrical codes.



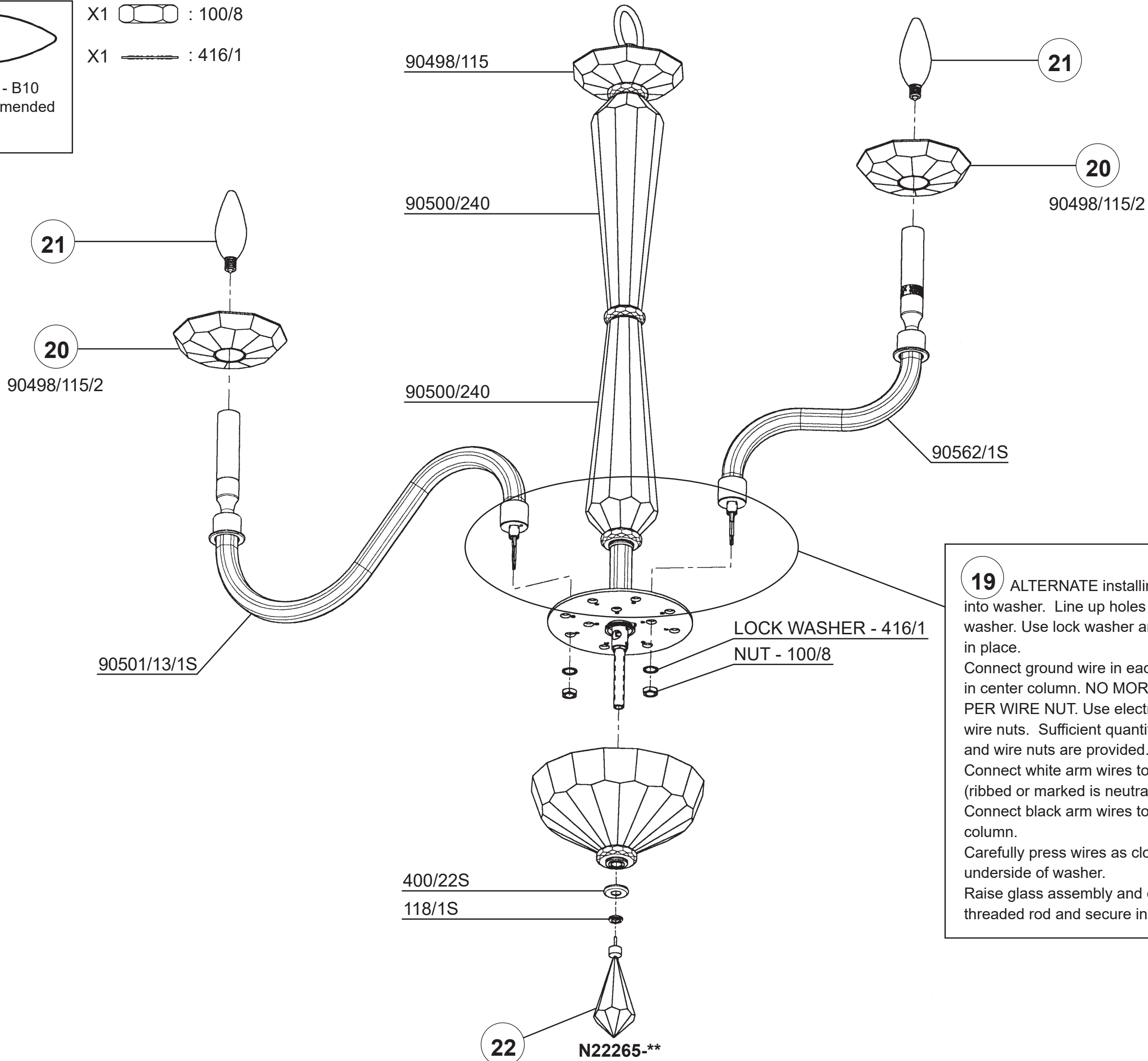




You will need 12 - B10  
25 Watts Recommended  
60 Watts Max

X1  : 100/8

X1  : 416/1



**19** ALTERNATE installing two different arms into washer. Line up holes in arms with stud in washer. Use lock washer and nut to secure arms in place. Connect ground wire in each arm to ground wire in center column. NO MORE THAN 5-WIRES PER WIRE NUT. Use electrical tape to secure wire nuts. Sufficient quantities of jumper wires and wire nuts are provided. Connect white arm wires to neutral column wire (ribbed or marked is neutral). Connect black arm wires to the power wire in column. Carefully press wires as close as possible to the underside of washer. Raise glass assembly and check ring over threaded rod and secure in place with round nut.