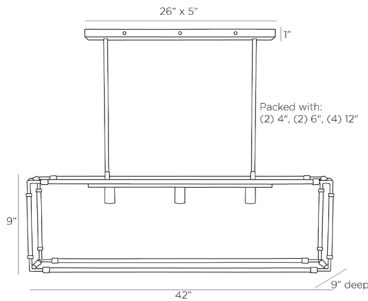


ARTERIOS

TRENTON CHANDELIER



DRC01
 H: 14 IN, W: 42 IN, D: 19 IN
 Cognac
 Contract Suitable As Is

With its open and airy silhouette, the Trenton chandelier is a linear take on the lantern style. Constructed with a framework of antique-brass finished steel, the light features menswear-inspired cognac leather that handsomely wraps the box. Three exposed, frosted bulbs suspend inside, casting soft illumination. A linear canopy, also in antique brass, finishes the piece. Finish will vary. Damp-rated, although limited covered outdoor conditions may affect finish.

APPEARANCE

Material	Leather, Steel
Finish	Antique Brass
Finish Will Vary	true
Top Coat/Sealant	false

DIMENSIONS

Chandelier	H: 9 IN, W: 42 IN, D: 19 IN
Minimum Hanging Height	14 IN
Maximum Hanging Height	44 IN
Canopy	H: 1 IN, W: 26 IN, D: 5 IN

WIRING

Rating	Damp
Cord	7 FT, Clear/Silver, SVT
Socket	3, Type A - E26
Photographed Bulb	4" Frosted Globe Bulb
Maximum Watt	60
Voltage	110-120 V

CERTIFICATIONS

Certifications	Mexico Australia, European Union, United Arab Emirates, United States, Canada
----------------	--

COMPLIANCY

UL/ETL	Yes
CB	Yes
RoHS	true

SHIPPING

Product Weight	16 LBS
Gross Weight 1	23.1 LBS
Gross Weight 2	0 LBS
Shipping Box 1	H: 46.06 IN, L: 16.33 IN, W: 12.4 IN
Shipping Box 2	H: 0 IN, L: 0 IN, W: 0 IN

REPLACEMENT PARTS

Replacement Part 1	PIPE-504
Replacement Part 1 Dim	(1) 4", (1) 6", (1) 12"
Replacement Part 2	CANOPY-639
Replacement Part 2 Dim	1" x 26" x 5"

CONTRACT

Contract Suitable	true
-------------------	------