

# LED Indoor Luminaires Vanity 120-277VAC / 60Hz

Part #: HVNV2705LAJD2SN  
HVNV2705LAJD2BK  
HVNV3905LAJD2SN  
HVNV3905LAJD2BK

## Safety Precautions

- Read all safety precautions and installation instructions carefully before installing or servicing this fixture. Failure to comply with these instructions could result in potentially fatal electric shock and/or property damage.
  - It is recommended that a qualified electrician perform all wiring. This fixture must be wired in accordance with all national and local electrical codes.
  - Do not handle any energized fixture or attempt to energize any fixture with wet hands or while standing on a wet or damp surface or in water.
  - This fixture is designed for use in a 120-277VAC circuit. This fixture is compatible with a 0-10V dimming circuit.
  - Make sure that the power source conforms to the requirements of the fixture. (See labels on the fixture housing).
  - To reduce the risk of electrical shock, and to assure proper operation, this fixture must be adequately grounded. To accomplish proper grounding, there must be a separate ground wire (green) contact between this fixture and the ground connection of your main power supply panel.
  - This fixture is intended to be used for general indoor lighting in dry or damp locations.
  - Disclaimer  
Changes or modifications not expressly approved by the party responsible for compliance could void the user's authority to operate the equipment. NOTE: This equipment has been tested and found to comply with the limits for a Class B digital device, pursuant to Part 15 of the FCC Rules and Canadian ICES-005 (B) / NMB-005 (B). These limits are designed to provide reasonable protection against harmful interference in a residential installation. This equipment generates, uses and can radiate radio frequency energy and, if not installed and used in accordance with the instructions, may cause harmful interference to radio communications. However, there is no guarantee that interference will not occur in a particular installation. If this equipment does cause harmful interference to radio or television reception, which can be determined by turning the equipment off and on, the user is encouraged to try to correct the interference by one or more of the following measures:
    - Reorient or relocate the receiver antenna.
    - Increase the separation between the equipment and receiver.
    - Connect the equipment into an outlet on a circuit different from that to which the receiver is connected.
    - Consult with the dealer or an experienced radio/TV technician for help.
- Any modifications to this fixture may void the warranty and interfere with the safe operation of the luminaire. Operation is subject to the following two conditions: (1) this device may not cause interference, and (2) this device must accept any interference, including interference that may cause undesired operation of the device.
- Please contact AFX Engineering Dep for FCC report at AFX, Inc., 2345 N. Ernie Krueger Circle, Waukegan, IL, USA or Telephone: 1-847-249-5970.

## Assembly Instructions

### Step 1 – Preparing for installation

- Disconnect electrical power at fuse or circuit breaker box before installing or servicing any part of this fixture.
- Carefully remove the fixture from the carton, remove components from hardware kit.
- Remove cover (5) from channel (4) by removing two screws (6).
- Remove appropriate knockout(s) on channel (4) for power supply entry.
- Install cover plate (1) to junction box (not provided) using two screws (2).

### Step 2 – Fixture mounting

- Position the channel (4) onto the wall and mark all appropriate mounting locations. Take the channel down and punch a small hole in the wall at each location you have marked using a nail or an awl to see if there is a wall stud you can mount the fixture to. Where there is a wall stud, use a suitable wood screw (not included) to mount the fixture. Where there is no stud to screw into, use a drywall anchor (not included) or a 3/16" toggle bolt (not included) to mount the channel securely to the wall.

### Wiring – All wiring must take place inside junction box (not included)

**Caution:** Make sure power is off at fuse or circuit breaker box. Check power wires for damage or scrapes. If power supply wires are within three inches of the LED driver, use wire suitable for at least 90°C (194°F). **Note:** Most dwellings built before 1985 have supply wire rated to 60°C. Consult a qualified electrician to ensure correct branch circuit conductor before installing.

### Step 3 – Wiring fixture

- Make all wire connections to appropriate wire. Secure with wire nuts (provided).
- For none-dimming fixture.** Connect the black wire from the fixture to the black (L) wire from supply power source. Connect the white wire from the fixture to the white (N) wire from supply power source.
- For TRIAC dimming.** Connect white fixture lead to white (N) wire from dimming source per dimming instructions. Connect black fixture lead to black (L) wire from dimming source per dimming instructions.
- Do not mix wires.** Pull on each wire lead to make sure connections are secure. Make certain no bare wires are exposed outside of wire connectors. Tuck all connections neatly into the junction box.

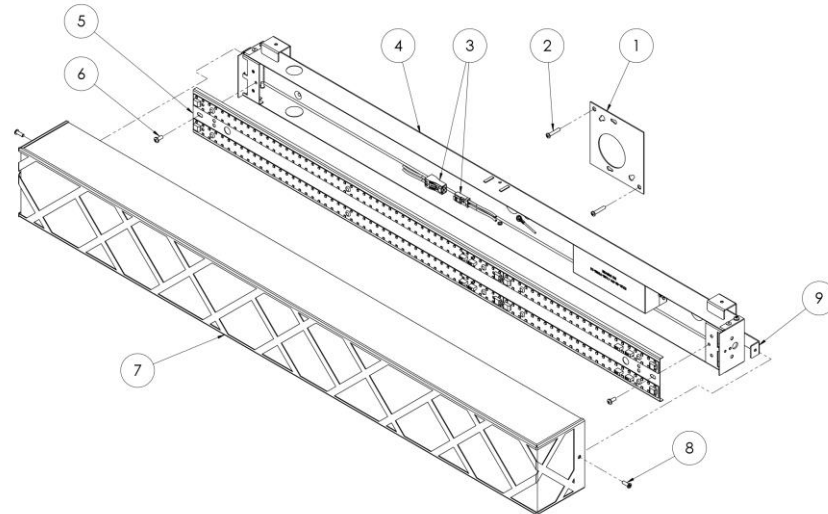
### Step 4 – Color changing temperature adjustment, CCT (if desired)

- Adjust the two switches as a pair on all boards according to the desired color temperature as seen in diagram to the right. **Note:** Fixture is preset to 3500K from factory.

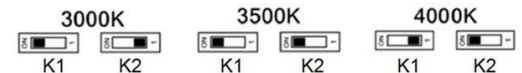
### Step 5 – Diffuser mounting

- Reinstall the channel cover (5) to the channel (4) using two screws (6).
- Align the holes on the side of the diffuser (7) with the holes on the L-brackets (9) and secure with two screws (8).

### Step 6 – Restore power at fuse or circuit breaker box



### COLOR TEMPERATURE ADJUSTMENT SETTING



### Limited Factory Warranty

This product is manufactured by AFX Inc. AFX Inc. hereby warrants that this fixture is free from defects in materials and workmanship when installed and used under normal operating conditions for a period of 5 years from date of purchase. This warranty covers all component parts and extends only to replacement of defective fixture or components; it does not cover failure due to improper installation, misuse, mishandling or damage incurred in transit. For questions, please call AFX 1-800-873-2326.