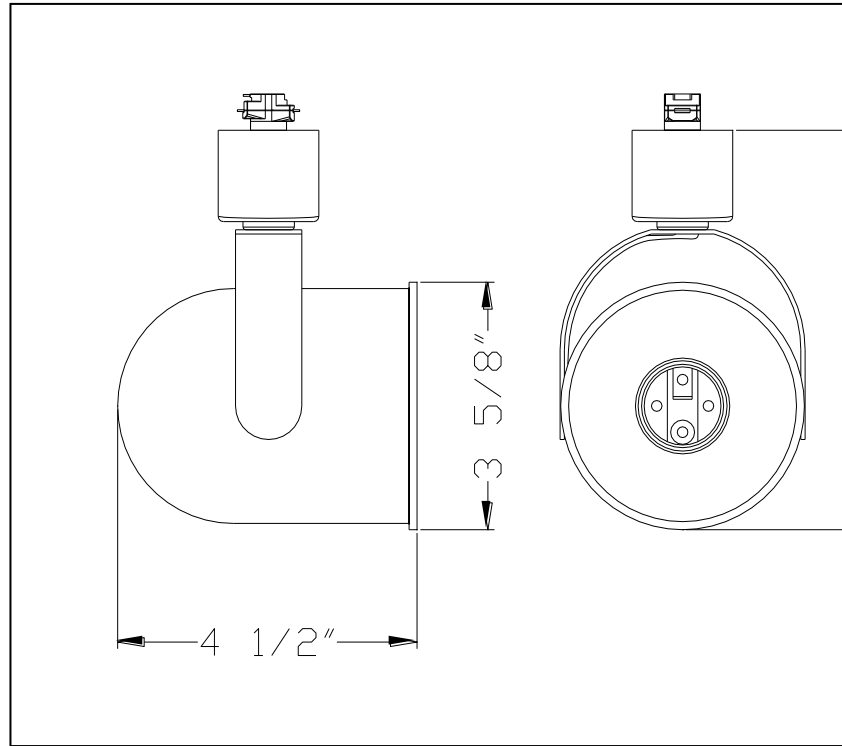




CAL LIGHTING

3625 E. Philadelphia St. Ontario CA. 91761 • Tel: 909.947.5200 • Fax:
909.947.5673 • www.calighting.com • service@calighting.com •
Specifications subject to change without notice

Type:
Project:
Catalog No.:
Lamp/Wattage:



- Model No. :** HT-196
- Rotation :** 355 degree
- Capability :** +90 degree from horizontal
- Bulb :** PAR20 (halogen) or R20 (incandescent)
- Socket :** Medium base
- Voltage :** 120V
- Wattage :** 50W Max.
- Finish :** DB (Dark Bronze)

Certificate : c  us

