

PRODUCT FEATURES

- Laser etched crystal captures the light
- This item is made of natural brass. It is a living finish that will patina and warm with age which adds richness. If it gets an uneven patina or spots, a brass cleaner can restore the finish
- Fully dimmable integrated LED lamp
- Handsome and bold design. ADA compliant
- Features die-cast metal detailing for a sophisticated appeal
- The LED Driver is housed within the junction box. (L. 3.03" | W. 1.5" | H. 1.1")



LAMPING

Includes 35.8 watt, 3142 delivered lumens, 2700K LED module.
 Dimmable with most LED compatible ELV, TRIAC and 0-10V dimmers.
 Mounts horizontal only. Up or downlight. 120V-277V.

Natural Brass (Off)



Natural Brass (Off) Natural Brass (On) Polished Nickel (Off) Polished Nickel (On)

To view all available finish options, please visit techlighting.com

ORDERING INFORMATION

KWBA276	COLOR TEMP	FINISH
	27 2700K	NB NATURAL BRASS B NIGHTSHADE BLACK N POLISHED NICKEL

KWBA276 _____

JOB NAME _____

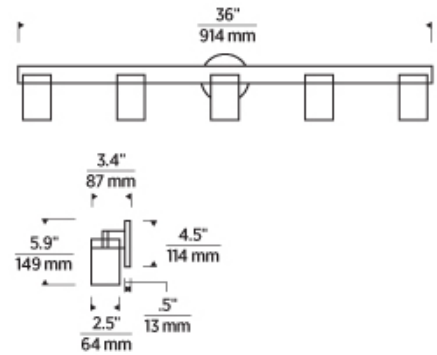
NOTES _____

ESFERA LARGE BATH

VISUAL COMFORT & Co.

SPECIFICATIONS

PRIMARY MATERIAL	Steel Or Brass
SHADE MATERIAL	Crystal
NET WEIGHT	12 lbs
HEIGHT	5.9in
WIDTH	3.4in
LENGTH	36in
WET LISTED	
DAMP LISTED	
DRY LISTED	
GENERAL LISTING	ETL Listed
INCLUDES	



LAMPING SPECIFICATIONS

	LED LAMP	INTEGRATED LED	NON LED	NO LAMP
DELIVERED LUMENS		3142		
WATTS		35.8		
MAX WATTAGE PER BULB		35.8W		
		Universal 120V-277V 0-10, ELV, TRIAC		
CCT		2700K		
CRI		90 CRI		
LED LIFETIME		>50000		
AVERAGE BULB HOURS				
FIELD SERVICEABLE LED				
LAMP BASE		Integrated LED		
LAMP SHAPE		Integrated LED		
LAMP INCLUDED?		True		
WARRANTY**		5 Years		

* Dimming information available at www.techlighting.com/Downloads#dimming

** Visit techlighting.com for specific warranty limitations and details.

T20 / T24 / JA8 INFORMATION

	Integrated LED	Replacement LED Lamp	No Lamp *
This product can be used to comply with California Building Energy Efficiency Standards 2016 Title 24 Part 6 / JA8.	Yes		
This product can be used to comply with California Appliance Efficiency Standards 2016 Title 20 and may be shipped to and sold in California.			

* If a light fixture or component does not include a lamp or light source, it is the responsibility of the customer to select a lamp that meets the T24 and T20 requirements.

