



**SCHONBEK®**

**NEW ORLEANS 3657- \_\_ \_\_ S**



**T**HIS DESIGN IS THE PROPRIETARY TRADE DRESS/TRADemark OF SWAROVSKI LIGHTING, LTD.

10 Lights  
Diameter: 28"  
Body Length: 31"  
Hanging Weight: 24 lbs.

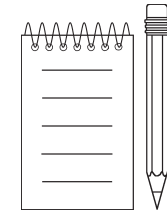
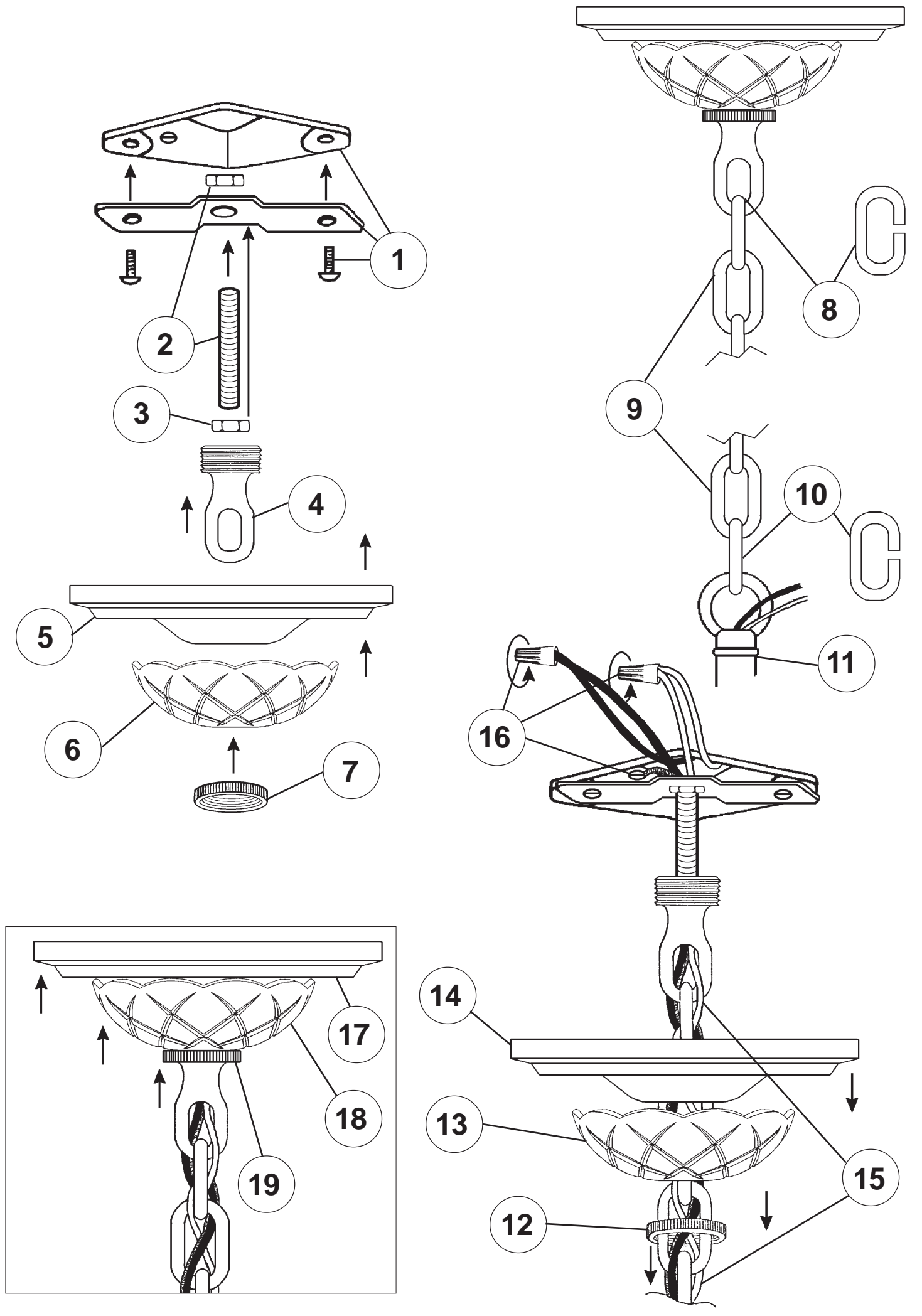


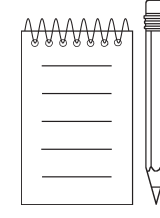
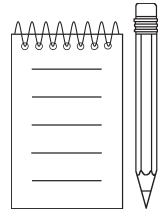
**SCHONBEK®**

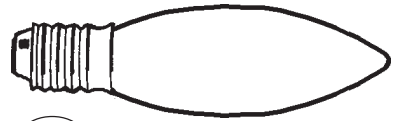
MAX 60 W		110-120 V						

SCHONBEK® is a member of the Swarovski group.

All electrical components must be installed by a licensed electrician in accordance with the National Electric Code and the appropriate local electrical codes.







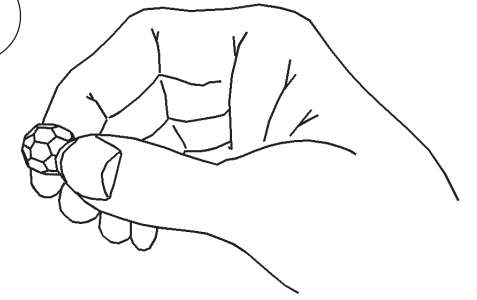
20

You will need 10 - B10  
25 Watts Recommended  
60 Watts Max

Install bulb and be sure  
to test fixture **BEFORE**  
trimming.

To protect against beakage and loss during  
shipping, the beads are supplied in a plastic bag,  
packed with the trim.

21



Hold bead at an angle to the arm as shown,  
insert one leg of the holder into the arm and,  
with a rolling motion across the end of the arm,  
push the other leg of the connector into the  
arm. Position so that the bead is in the center  
of the arm.

