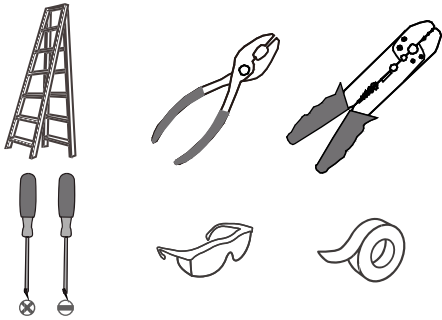
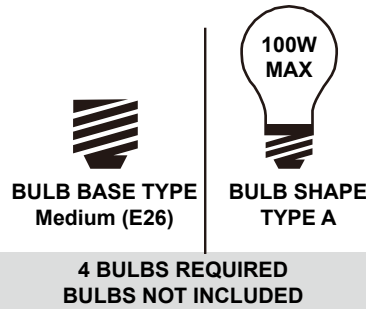


### Tools Required



### Light Source



### Warnings and Cautions

Turn off the electricity at the circuit breaker before installation. Consult a licensed electrician if in doubt about installation.

Turn off power to the fixture and allow the bulbs to cool before replacing.

### Package Contents

Preparation: Identify and inspect all parts before beginning the installation.

Missing or damaged parts? Contact your original place of purchase.

#### PARTS BAG

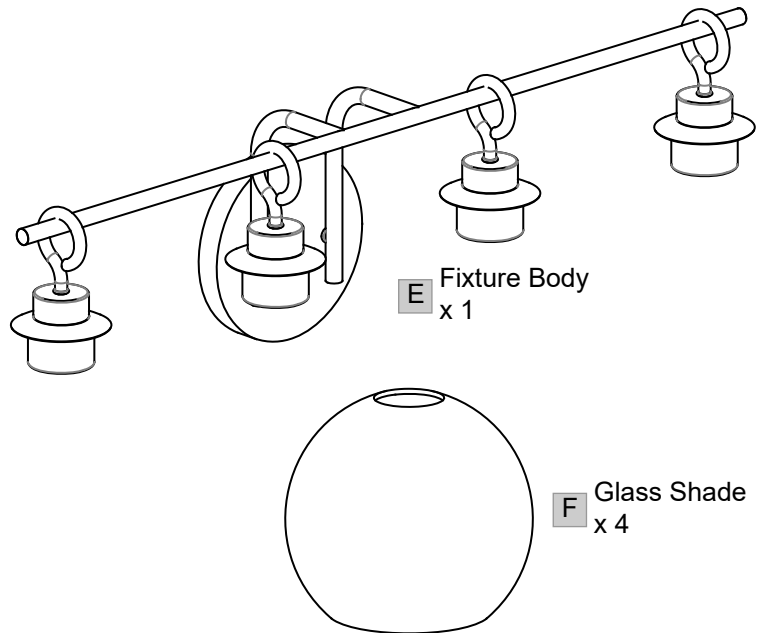


**A** Crossbar  
x 1

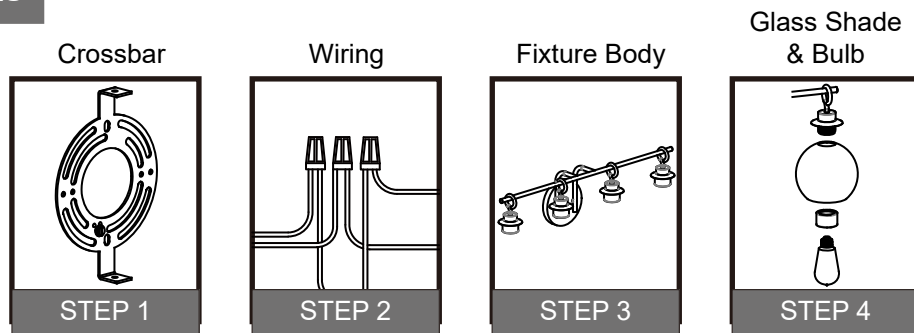
**B** Mounting Screw  
x 2

**C** Outlet Box Screw  
x 2

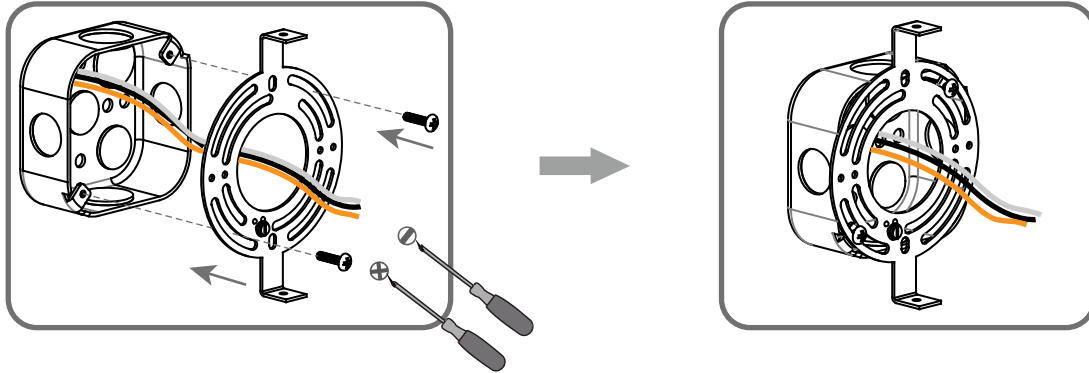
**D** Wire Connector  
x 3



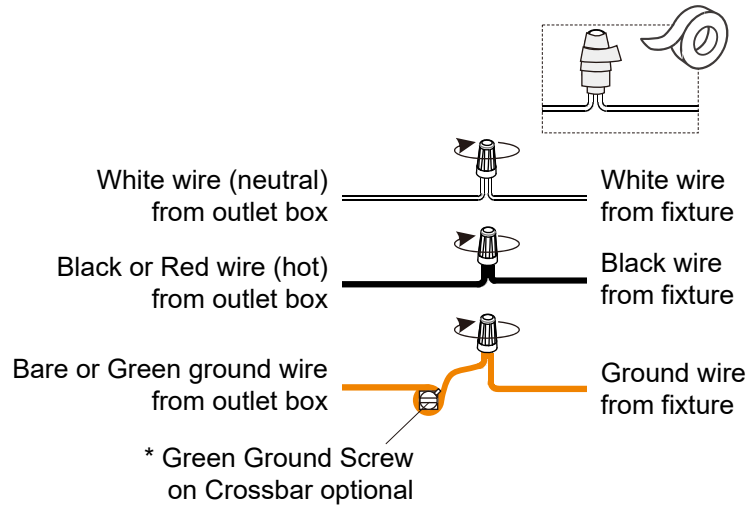
### Table of Contents



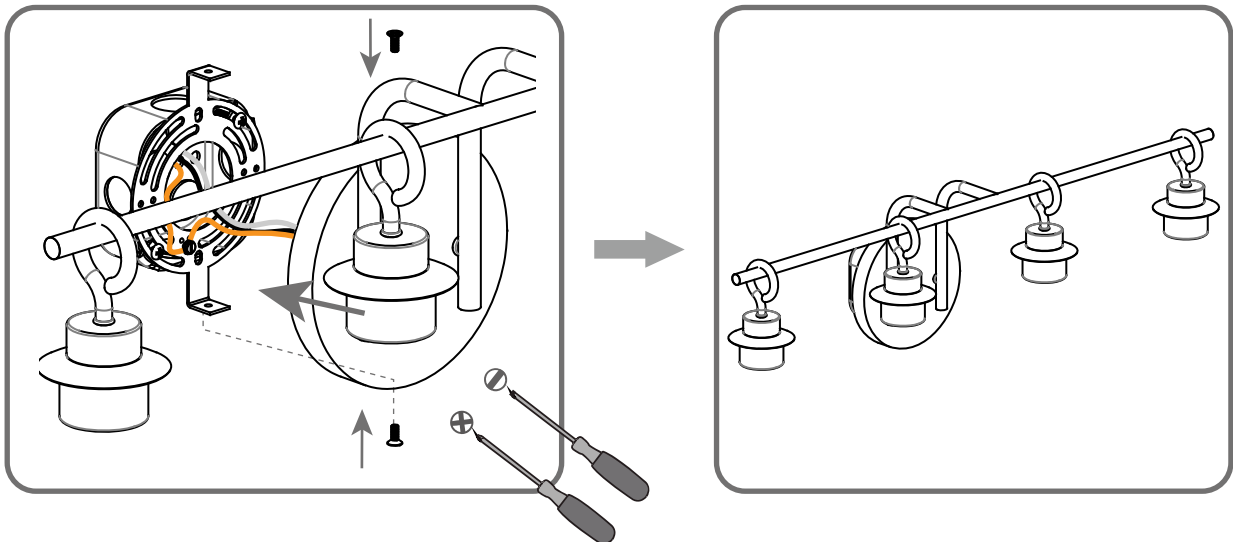
## STEP 1



## STEP 2



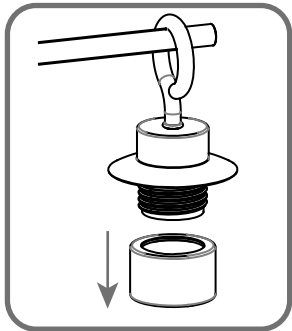
## STEP 3



# STEP 4

1

remove socket collar



2

install glass shade and bulb

