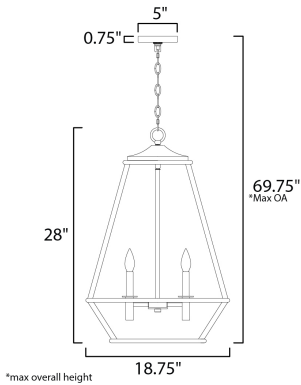




PRODUCT DESCRIPTION

Custom oval metal tubing is expertly mitered to this classic form, Woodland is a style that works in a multitude of room decors. Featuring a warm Hazel finish makes it look like real wood and accented with rich Burnished Gold clusters, this collection will be popular for years to come.




MEASUREMENTS

- DIMENSION : 18.75" L x 18.75" W x 28" H
- MAX OAH : 69.75" OAH
- CANOPY : 5" W x 0.75" H x 5" L
- HANGING WEIGHT : 9.9 lb

LAMPING

- INPUT VOLTAGE : 120V
- BULB : 4 x 60W Incandescent E12 Candelabra , 240W Total
- BULB INCLUDED : (Not Included)
- DIMMABLE : Yes

FINISHES OPTION

 Hazel / Burnished Gold

MATERIAL

Steel

RATINGS

cULus
Dry Location



ADDITIONAL

ADJUSTABLE
SLOPE: 90
RATED LIFE NA Hours
OPERATING TEMPERATURE:
-20°C (-4°F), 40°C (104°F)

Always consult a qualified electrician before installing any lighting product.



WESTERN DISTRIBUTION CENTER (HEADQUARTER)
253 NORTH VINELAND AVE | CITY OF INDUSTRY, CA 91746

EASTERN DISTRIBUTION CENTER
4200 SHIRLEY DR. | ATLANTA, GA 30336

P. 626.956.4200 | F. 626.956.4225 | maximlighting.com