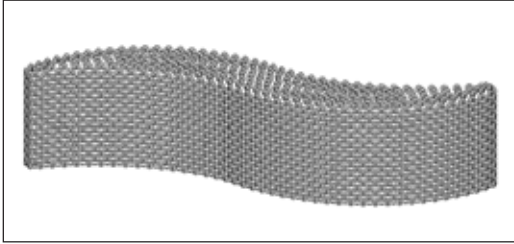
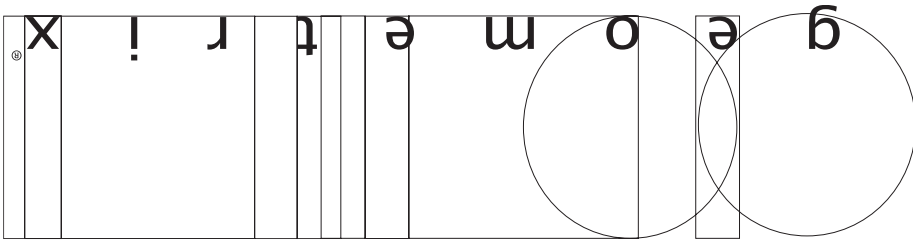


Important: Label on back contains important information on your crystal option. Please save in case you ever need to order matching crystal.

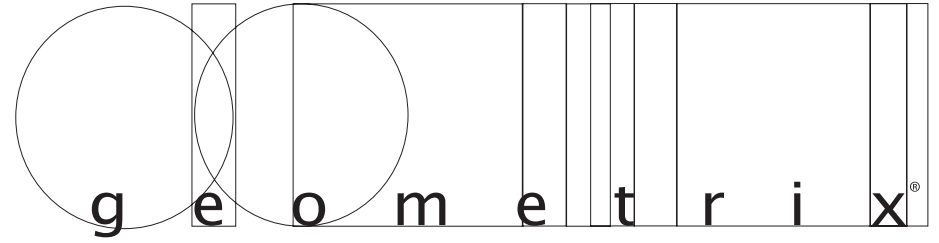


Trim Diagram
Refrax™ Pendant RE3214-**

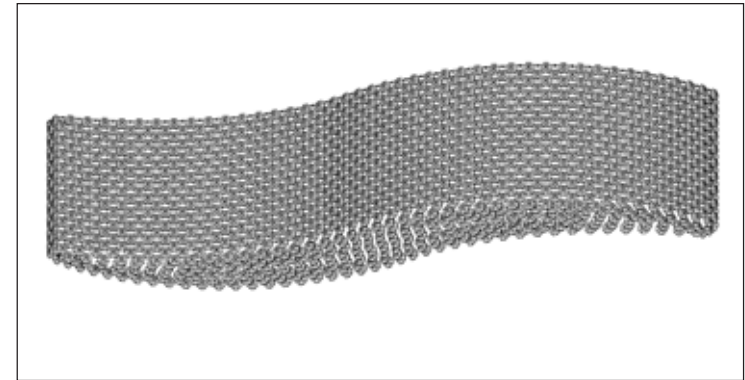


Schonbek Worldwide Lighting Inc., 61 Industrial Blvd., Plattsburgh NY 12901-1908
Tel: 800.836.1892 or 518.563.7500 www.schonbek.com

© 2006 SCHONBEK WORLDWIDE LIGHTING INC., A. SCHONBEK & CO. LTD. WORLDWIDE COPYRIGHT RESERVED
US PATENT: #5,109,325



Trim Diagram
Refrax™ Pendant RE3214-**



13 Lights
Length: 32", Width: 14½", Height: 8"

Geometrix[®] is designed by Schonbek with Strass[®] crystal by Swarovski.

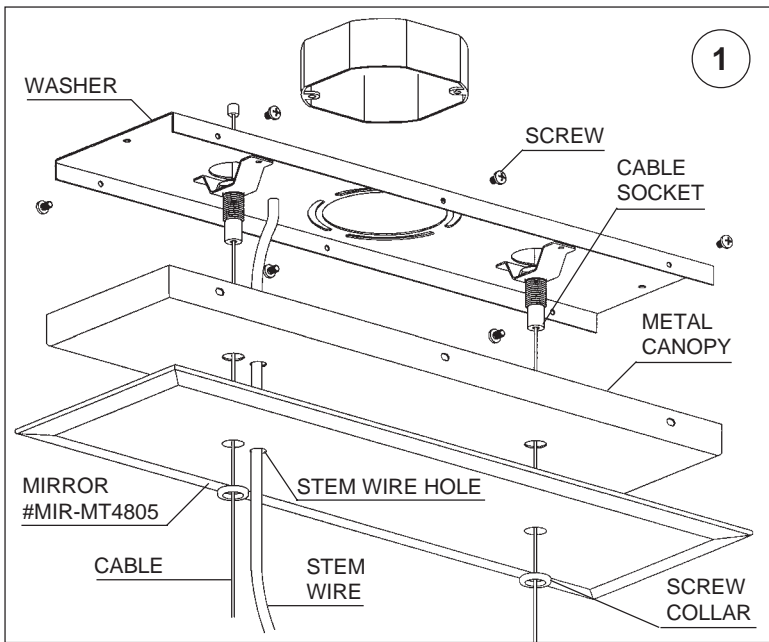


This design is the proprietary trade dress/trademark of Schonbek Worldwide Lighting Inc.

Please save your trim diagram for future reference.


IMPORTANT: Label on back contains important information on your crystal option. Please save in case you ever need to order matching crystal.





How to Install G9 & GU10 Bulbs and Refrax™ Chandelier:

1 Remove screw collars, mirror and metal canopy from the canopy assembly. Feed cables through cable sockets. Attach washer to outlet box. Feed cables and stemwires through metal canopy, mirror and stemwire before attaching cables to frame. Loosen the safety nut on the cable glider by turning counter clockwise. Slide cable into glider and allow it to play out of the bottom of the frame temporarily. To adjust height loosen the safety nut and depress it until the cable is released to move the frame up and down the cable. Feed stem wire through stem wire hole in mirror and metal canopy (the smaller hole). When chandelier is at desired height, trim stem wire and connect ground wire (marked with green tracer) and power wires (black or white tracers) in outlet box. Raise metal canopy and mirror to ceiling and secure to running thread with the screw collar. Supplied in a plastic bag are nylon tie wraps. Adjust along stem wire and tie to support cable approximately 3" apart. Cut suspension cable with cable cutters leaving about 3/8" protruding from the bottom of the frame.

2 Use G9 JCD bulbs in the small sockets. Plug bulbs carefully but completely into sockets. Use only GU10 base bulb in the larger sockets. Align the legs, insert and turn clockwise carefully but completely. Only use bulbs marked "suitable for open luminaires" OR bearing this symbol: 

3 Install bottom crystal grid with six thumb nuts (already screwed onto grid) to bottom of the chandelier.

4 Hang A chains first, following the crystal map. Hook the connectors into the pinholes located towards the outside of the grid. See illustration to the right.

5 Insert pins into grid. Hang B chains by sliding the octagon with an open hole onto the pin. Chains B will nest into position between A chains. See illustration to the right.

RE3214-**

