

Tools Required: Flathead screwdriver, Phillips screwdriver, pliers, wire cutters, wire strippers, electrical tape, safety glasses.

Bulb Recommended: (2) Medium Base 75W Maximum, Alternate bulb (2) 19W CFL

Estimated Assembly Time: 20-30 minutes

Preparation: Identify and inspect all parts before beginning installation. Check package content list and diagrams below to be sure all parts are present. If any parts are missing or damaged, do not attempt to assemble, install, or operate the fixture. Contact customer service for replacement parts.

⚠ Warnings and Cautions

Turn off electricity at circuit breaker or main fuse box before installation. Consult a licensed electrician if in doubt.

These instructions are provided for your safety. It is very important you read them completely before installing the fixture. We strongly recommend that a licensed, professional electrician perform the installation.

Disconnect fixture from power source before replacing bulbs. Make sure bulbs are given sufficient time to cool before removal. Do not subject glass parts to any shock while in operation or shattering may result.

⚠ Care of Tiffany Style Shade

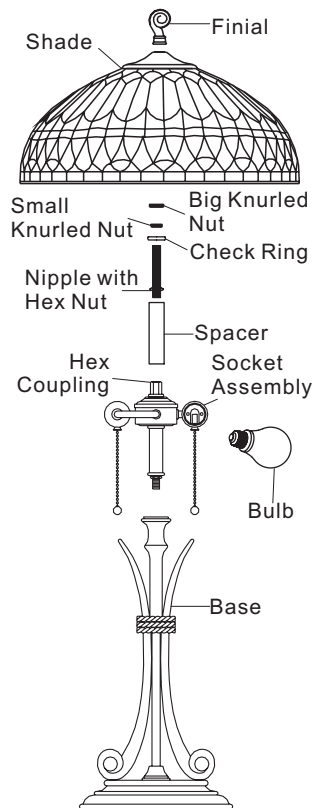
A new tiffany lamp shade has an oil film applied to the shade that protects the tiffany shade from scratches during shipment. If the oil applied is too heavy you can remove the excess oil film with a paper towel. Gently wipe away the excess oil.

For general cleaning of tiffany shades use a gentle lemon oil-based furniture polish applied to a soft cloth and wipe gently.

If a white powder appears on the soldered joints of the tiffany shade this is a normal oxidation process. Use a small amount of lemon oil or mineral oil applied directly to oxidized areas and the soldered area will return to like new.

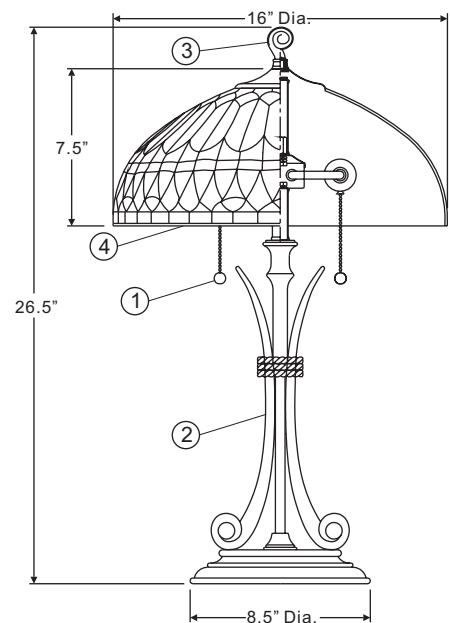
- A. Thread the Socket Assembly onto the Base, hand tighten until snug.
- B. Thread hex nut end of Nipple with Hex Nut into the hex coupling, hand tighten until snug.
- C. Place Spacer and Check Ring over the Nipple with Hex Nut, secure by threading the Small Knurled Nut onto the nipple. Hand tighten until snug.
- D. Thread the Big Knurled Nut onto the Nipple, hand tighten until snug.
- E. Place the Shade over the Nipple. Secure by threading the Finial onto the Nipple. Hand tighten until snug.
- F. This fixture uses standard bulb with medium base . Maximum 75 watts.
- G. Insert bulb and screw snugly into place.

Your fixture is now assembled and ready to use. Enjoy!



TF6660BB

FINISH: BRUSHED BULLION



(2) 75W Medium Base Bulbs (Not Supplied)

NOTE: ALL DIMENSIONS ARE ROUNDED UP TO THE NEAREST 1/2"

NO.	PART NUMBER	REPLACEMENT PART DESCRIPTION	REQ.
1	M860BLA	BALL 5/8" DIA BRUSHED BULLION	2
2	16660BBT	BASE BRUSHED BULLION TABLE LAMP	1
3	C965FIR	FINIAL ARCHITECTURAL BRONZE	1
4	G6894SH	SHADE TIFFANY 7.5"H X 16"D	1

Thank you for purchasing a Quoizel product.
Need assistance with parts or assembly? Call Quoizel customer service at 1-631-273-2700
or visit us on-line at www. quoizel. com