

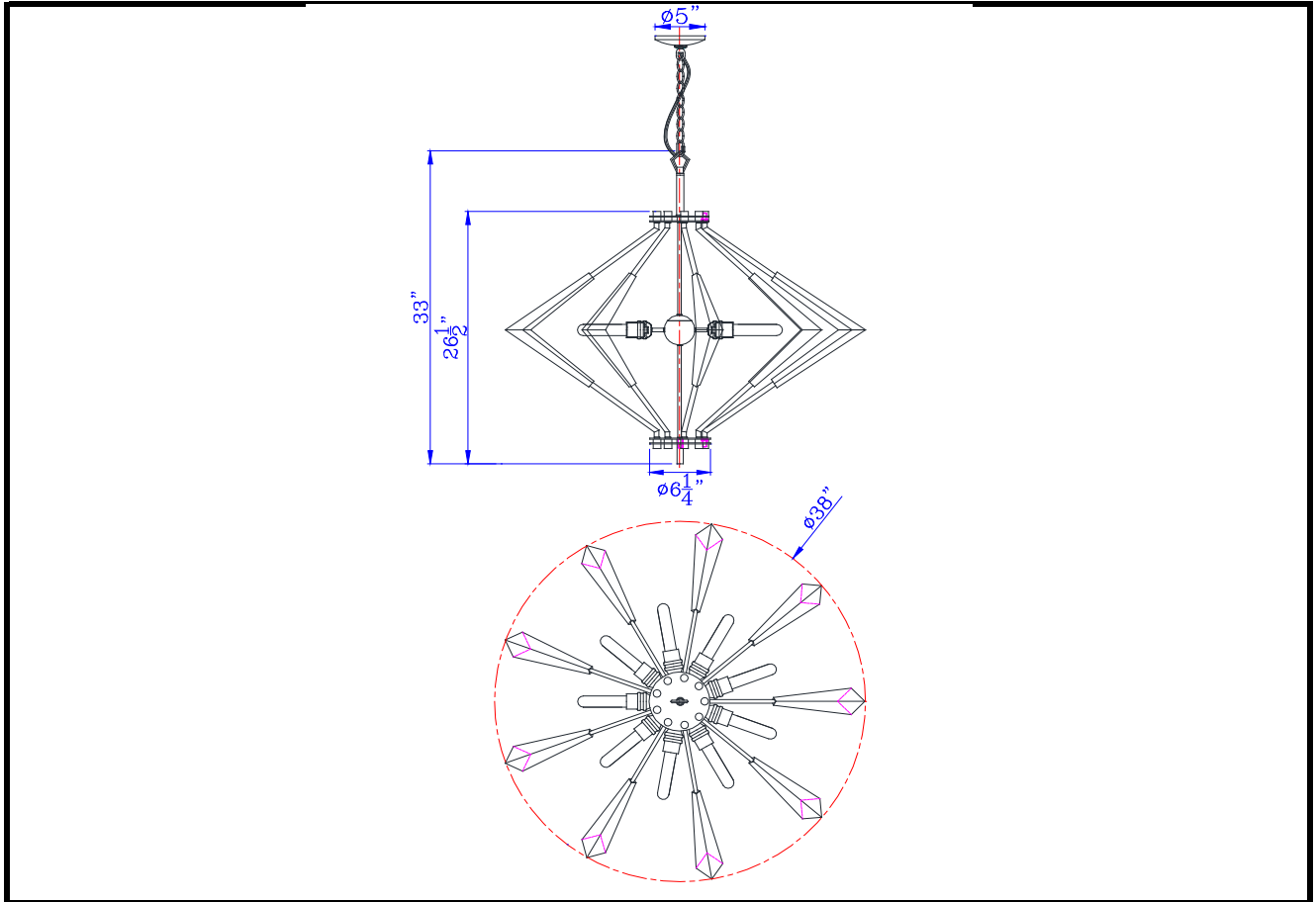


CAL LIGHTING

3625 E. Philadelphia St. Ontario CA. 91761 • Tel: 909.947.5200 • Fax:
909.947.5673 • www.calighting.com • service@calighting.com •
Specifications subject to change without notice

Type: _____
Project: _____
Catalog No.: _____
Lamp/Wattage: _____

Drawing:



- Model No:** FX-3709-9
Description: Malounta 60W x 9 metal chandelier (Edison bulbs not included)
Material: Metal
Finish : Antique Brass/Black
Height: 33"
Width: Dia.38"
Reach: Dia.38"
Wattage : 60Wx9
Socket : Medium Base (E26)
Bulb: Incandescent
Chain Length: 6'
Wire Length: 10"
Wire Color: Black
Shade No:
Material:
Shade size:
Certificate :

