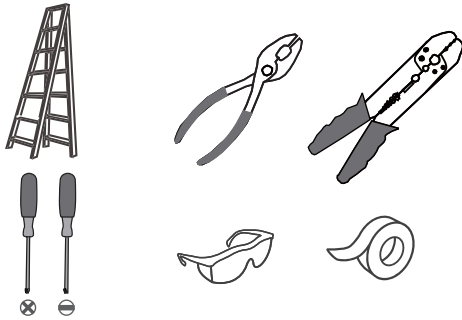


Tools Required



Light Source

40W
MAX



**BULB SHAPE
TYPE G9 XENON**

**6 BULBS REQUIRED
BULBS NOT INCLUDED**

**Fixture Height Adjustable
15" to 97"**

⚠ Warnings and Cautions

Turn off the electricity at the circuit breaker before installation. Consult a licensed electrician if in doubt about installation.

Turn off power to the fixture and allow the bulbs to cool before replacing.

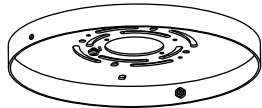
Do not touch the bulb with bare hands use a cloth or glove.

Package Contents

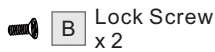
Preparation: Identify and inspect all parts before beginning the installation.

Missing or damaged parts? Contact your original place of purchase.

PARTS BAG



A Inner Backplate
x 1



B Lock Screw
x 2



E Screw
x 3



C Wall Anchor
x 3



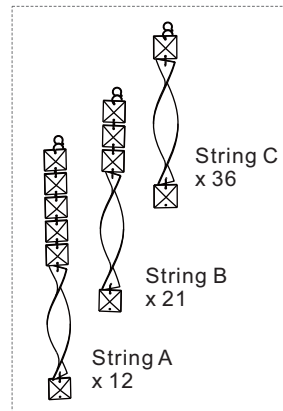
F Outlet Box Screw
x 2



D Flat Washer
x 3



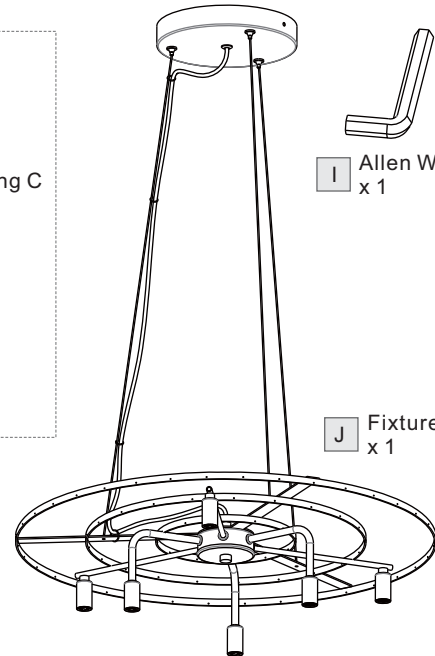
G Wire Connector
x 3



H String



I Allen Wrench
x 1



J Fixture Body
x 1

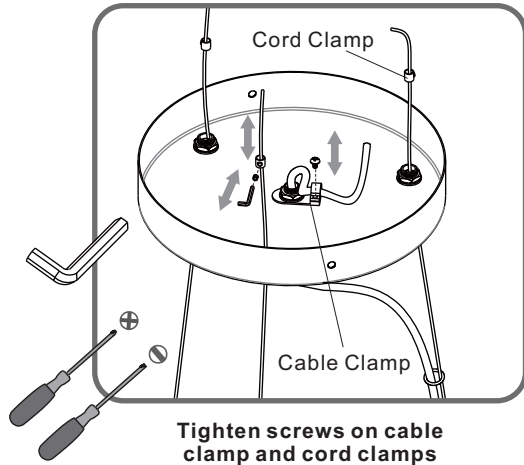
Table of Contents

Adjust Cord Length	Inner Backplate	Wiring	Ceiling Canopy	Bulb	Strings
STEP 1	STEP 2	STEP 3	STEP 4	STEP 5	STEP 6

STEP 1

1

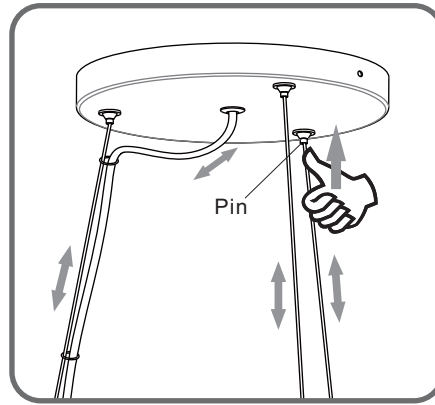
Loosen screws on cable clamp and cord clamps



Tighten screws on cable clamp and cord clamps

2

Adjust cord and cable length

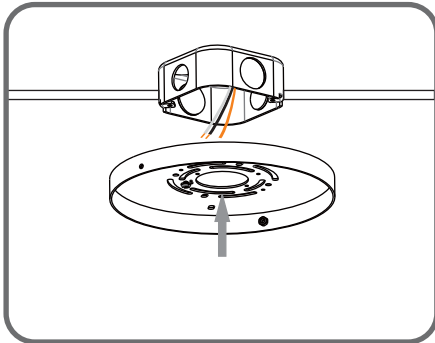


3

STEP 2

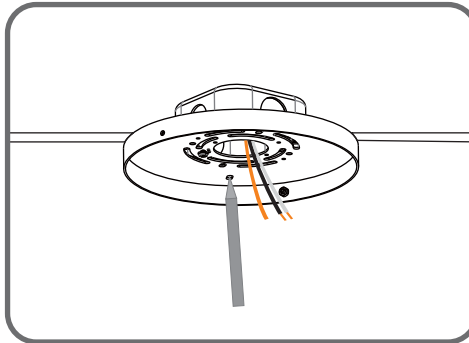
1

Fit inner backplate to outlet box



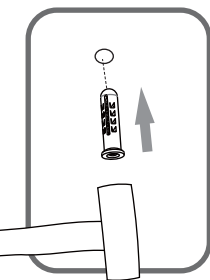
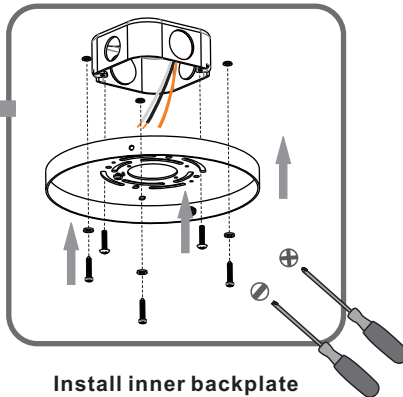
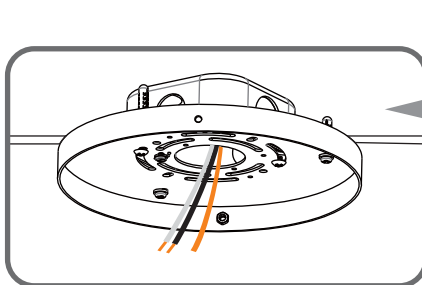
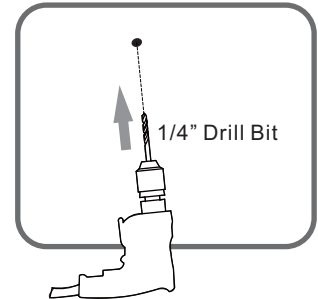
2

Mark anchor holes location on the ceiling



3

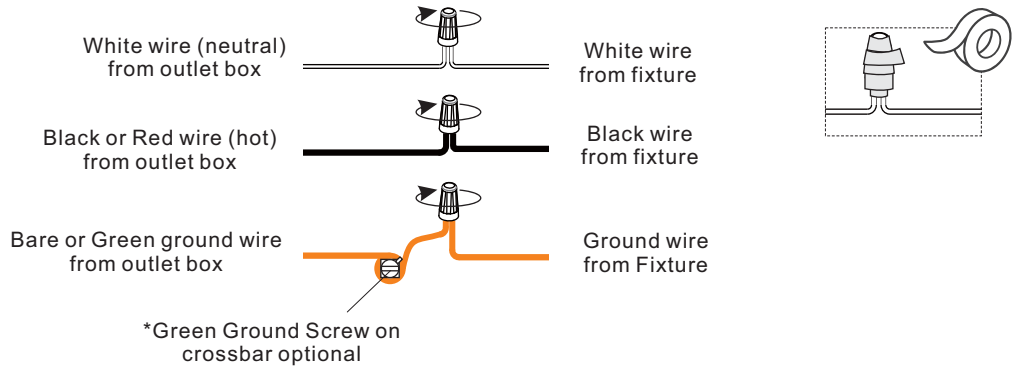
Drill holes for anchors from marks



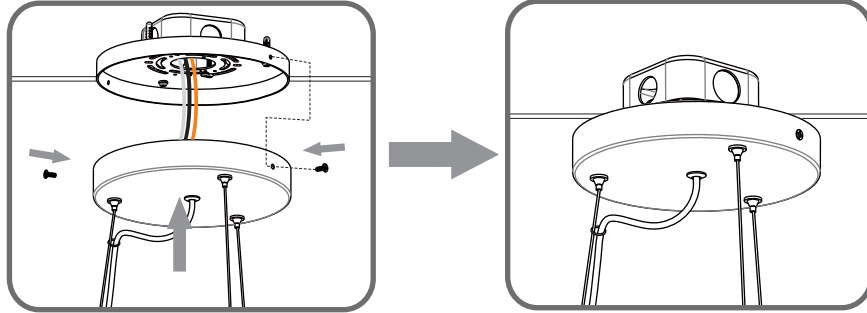
5

4

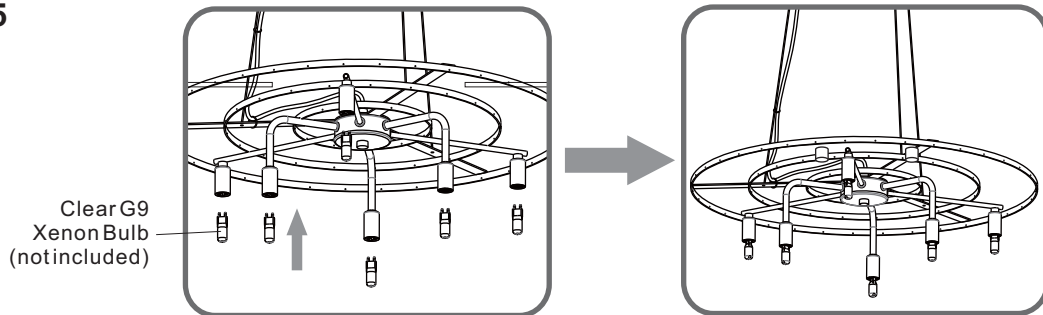
STEP 3



STEP 4



STEP 5



STEP 6

