

PRODUCT SPECIFICATIONS

OVERALL ASSEMBLED DIMENSIONS

HEIGHT: 81.3 CM (32"), WIDTH: 81.3 CM (32") DIA.

6+3 LIGHTS: UL LISTED. 120V, 60HZ, 60 WATT. CANDELABRA BASE E-12 PHENOLIC SOCKET. 2.2 CM (7/8") DIA. x 9.5 CM (3-3/4") LENGTH CANDLE SLEEVES ARE PROVIDED.

CANOPY: PAINTED STEEL IN WHITE FINISH, 13 CM (5-1/8") DIA. x 2.1 CM (3/4") HEIGHT. SHAPED AS SHOWN.

WIRE: UL LISTED, MIN. 305 CM (10 FT.) LENGTH, 18 AWG., 2 CONDUCTORS, 105°C, SILVER/CLEAR COLOR. WIRES MUST BE LEAD FREE.

CHAIN: PAINTED STEEL IN WHITE FINISH, 3.8 MM THICKNESS, 183 CM (6 FT.) MIN. LENGTH.

COLUMN: PAINTED STEEL IN WHITE FINISH, 6 CM (2-3/8") DIA. MAX. x 5 CM (2") HEIGHT, SHAPED AS SHOWN.

DISTRIBUTOR: PAINTED STEEL IN WHITE FINISH, 12 CM (4-3/4") DIA. MAX. x 10 CM (3-7/8") HEIGHT. SHAPED AS SHOWN.

CENTER POLE: PAINTED STEEL IN WHITE FINISH, 1.2 CM (1/2") DIA. TUBING, 51.6 CM (20-5/16") LENGTH.

ARMS: PAINTED STEEL IN WHITE FINISH, ARM-A: 6 MM (1/4") DIA. ROD, 34.5 CM (13-9/16") WIDTH x 57.6 CM (22-11/16") HEIGHT, ARM-B: 9 MM (3/8") DIA. TUBING, 21.6 CM (8-1/2") WIDTH x 28.4 CM (11-3/16") HEIGHT, ARM-C: 9 MM (3/8") DIA. TUBING, 33.8 CM (13-5/16") WIDTH x 21.5 CM (8-1/2") HEIGHT, ARM-D: 6 MM (1/4") DIA. ROD, 39.8 CM (15-11/16") WIDTH x 18.4 CM (7-1/4") HEIGHT. SHAPED AS SHOWN.

BOBECHE: PAINTED STEEL IN WHITE FINISH, 8.9 CM (3-1/2") DIA. x 1.9 CM (3/4") HEIGHT.

LABELS: ETL, MANUFACTURING DATE, MODEL # AND COUNTRY OF ORIGIN LABELS PROVIDED IN CANOPY. RELAMPING LABEL FOR 60 WATT TYPE "B" BULB PROVIDED ON CANDLE SLEEVE.

PACKAGING AND SHIPPING DETAILS

THE FIXTURE IS DISASSEMBLED FOR SHIPPING. EACH PART IS WRAPPED IN A PLASTIC BAG WITH A SMALL BAG OF SILICA AND PACKED IN ITS OWN CARDBOARD CARTON.

HARDWARE PACK #001 IS PROVIDED. ALL PARTS SHOULD BE SECURED SO THEY CAN NOT MOVE DURING SHIPPING.

THE CARTON IS MADE OF DOUBLE WALL, CORRUGATED CARDBOARD "A MA A". BROWN IN COLOR. THE INNER PACKING IS DIE-CUT CARDBOARD OR STYROFOAM TO PROTECT AND SECURE THE FIXTURE AND MUST PASS THE FEDEX AND ISTA-3A DROP TEST REQUIREMENTS.

EACH CARTON SHALL BE PRINTED WITH A LINE DRAWING AND THE KENROY HOME NAME AND LOGO, MODEL NUMBER AND FINISH, EACH CARTON SHALL BE PROVIDED A UPC LABEL. THE UPC BAR CODE AS FOLLOWS: WH=053392140113.

OTHER DETAILS

ALL VISIBLE PARTS MUST MATCH IN FINISH UNLESS OTHERWISE SPECIFIED.

MODEL 93069WH INSTALLATION INSTRUCTIONS ARE TO BE PACKED WITH FIXTURE, AND BE PRINTED CLEARLY ON QUALITY PAPER.

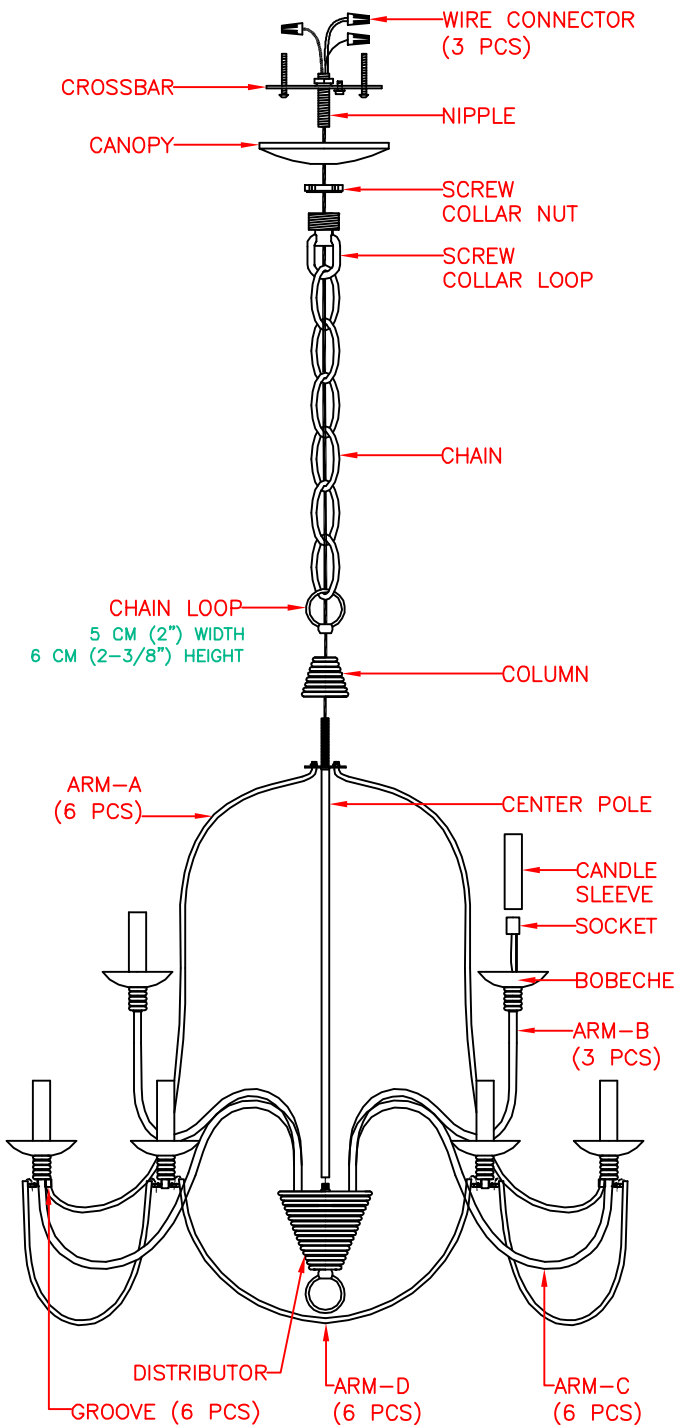
ALL BAGS MUST BE LABELED WITH OFFICIAL "THIS BAG IS NOT A TOY" STATEMENT.

ASSEMBLY TIME: 15 MINUTES.

THE ETL NUMBER IS 4010449.

DIMS OF BOX: 92.1 CM (36-1/4") LENGTH x 43 CM (16-15/16") WIDTH x 47 CM (18-1/2") HEIGHT. (CUFT.: 6.56')

NET WEIGHT: 13.83 LBS. GROSS WEIGHT: 24.77 LBS.



**KENROY
HOME**

3723 Regent Boulevard
JACKSONVILLE, FL. 32224
PHONE: 904-642-4340
FAX: 904-642-4150

THIS DOCUMENT AND THE INFORMATION THAT IT DISCLOSES IS THE EXCLUSIVE PROPERTY OF KENROY HOME. ANY REPRODUCTION OR USE OF THIS DRAWING IN PART OR IN WHOLE, WITHOUT THE EXPRESS CONSENT OF THE PROPRIETOR IS PROHIBITED. © 2017 KENROY HOME.

DATE: 11/2/2017

SCALE: NONE

DRAWN BY: ARVIN

REFERENCE: PANNIER 9 LIGHT CHANDELIER

REVISION DATE:

MODEL #:

REVISION DATE:

93069WH

REVISION DATE:

FINISH: WHITE

REVISION DATE:

PAGE: 1 OF: 1