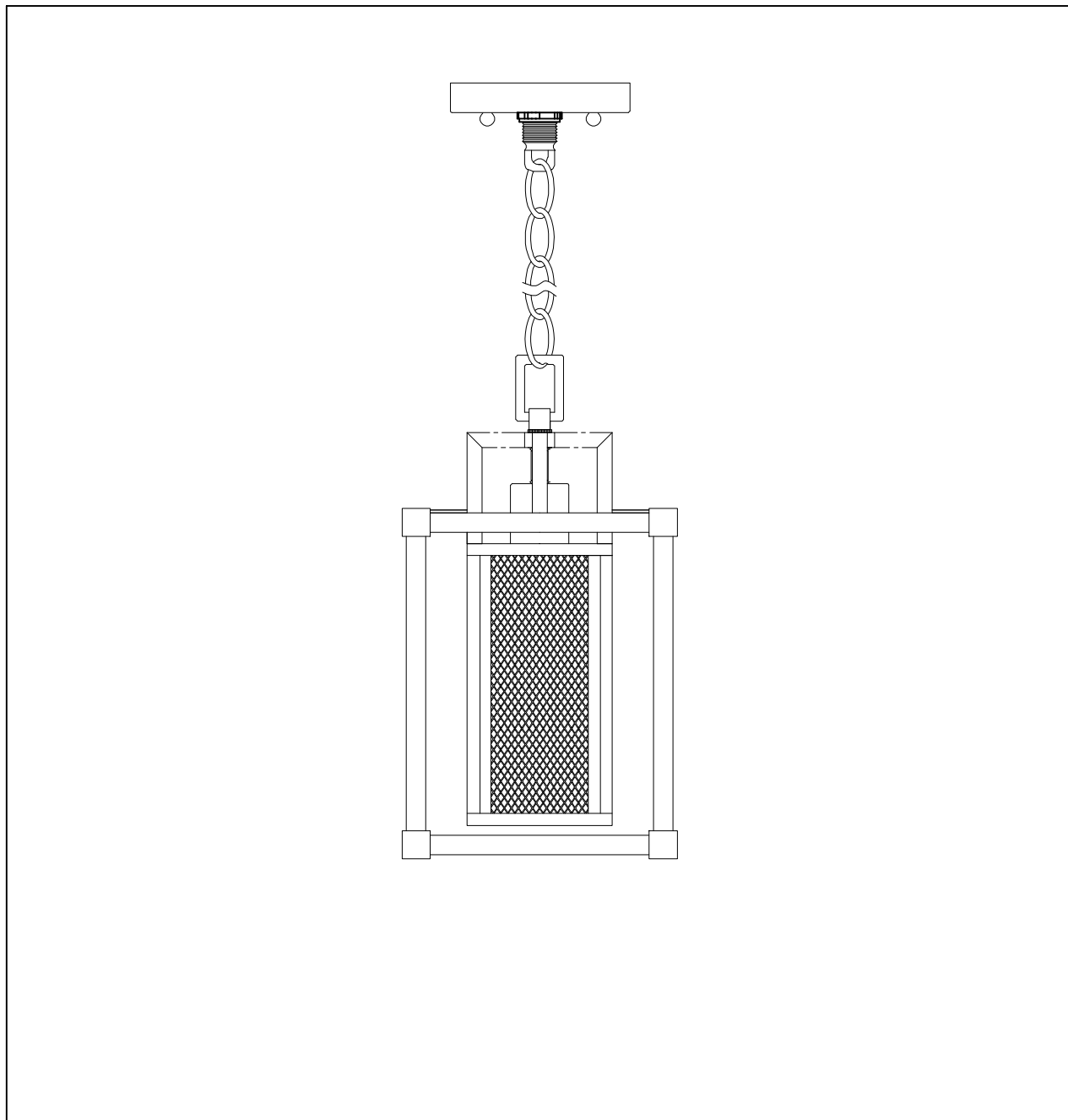




PRODUCT NAME: Refine 1lt pendant
ITEM NUMBER: 12159



Bulb(not included): 1-60 Watt Medium Base Bulb

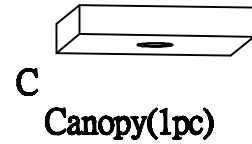
IMPORTANT: Turn off the power at the main fuse or circuit breaker box before starting installation



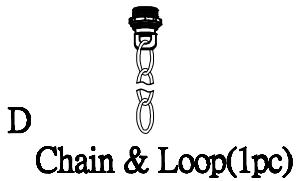
A
Crossbar(1pc)



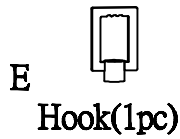
B
Screw(2pcs)



C
Canopy(1pc)

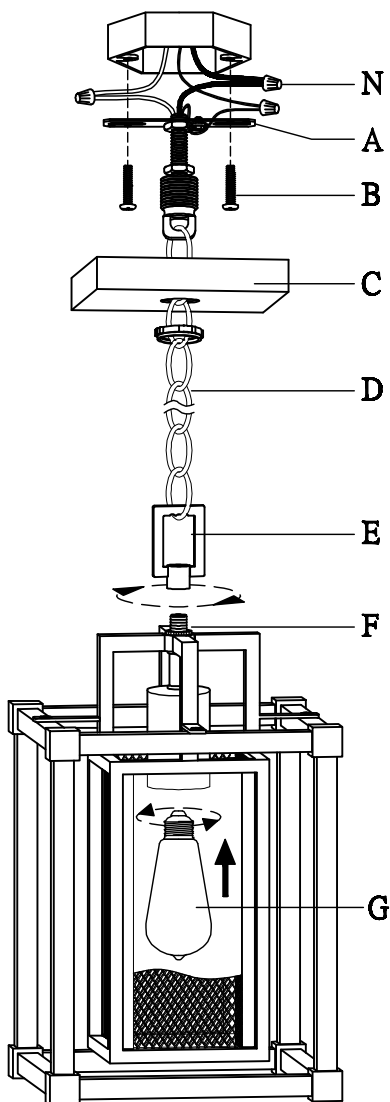


D
Chain & Loop(1pc)

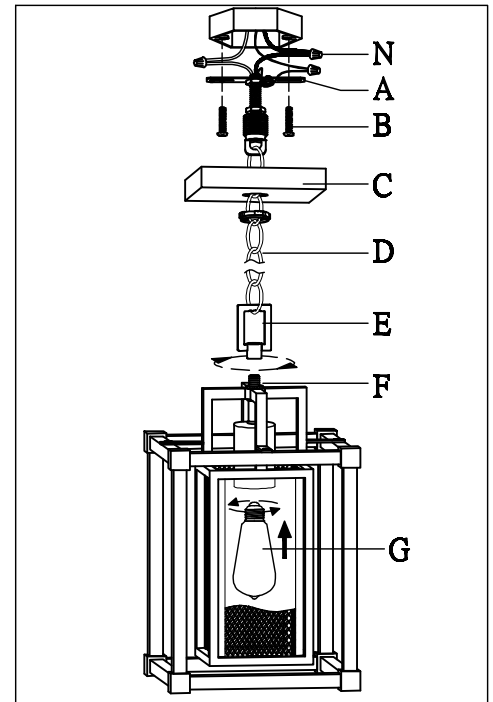


E
Hook(1pc)

Locate all hardware & components before discarding packaging



1.)



Step1. Remove crossbar from fixture and install to electrical box.
Attach appropriate amount of chain to loop to achieve desired mounting height.
Thread wire through every 3rd loop of chain
Remove ring from loop and slide down chain. Place canopy onto chain and let slide to top of fixture. Install nipple and cross bar into top of chain loop.
Wire fixture to wires in outlet box.
Copper wire is for Ground.
Pull canopy through screw ring up chain to ceiling and tighten securely.

Cleaning & Care:

Clean with soft cloth and a mild detergent.
Do not use abrasive cleaner.