



CAL LIGHTING

3625 E. Philadelphia St. Ontario CA. 91761 • Tel: 909.947.5200 • Fax:
909.947.5673 • www.calighting.com • service@calighting.com •
Specifications subject to change without notice

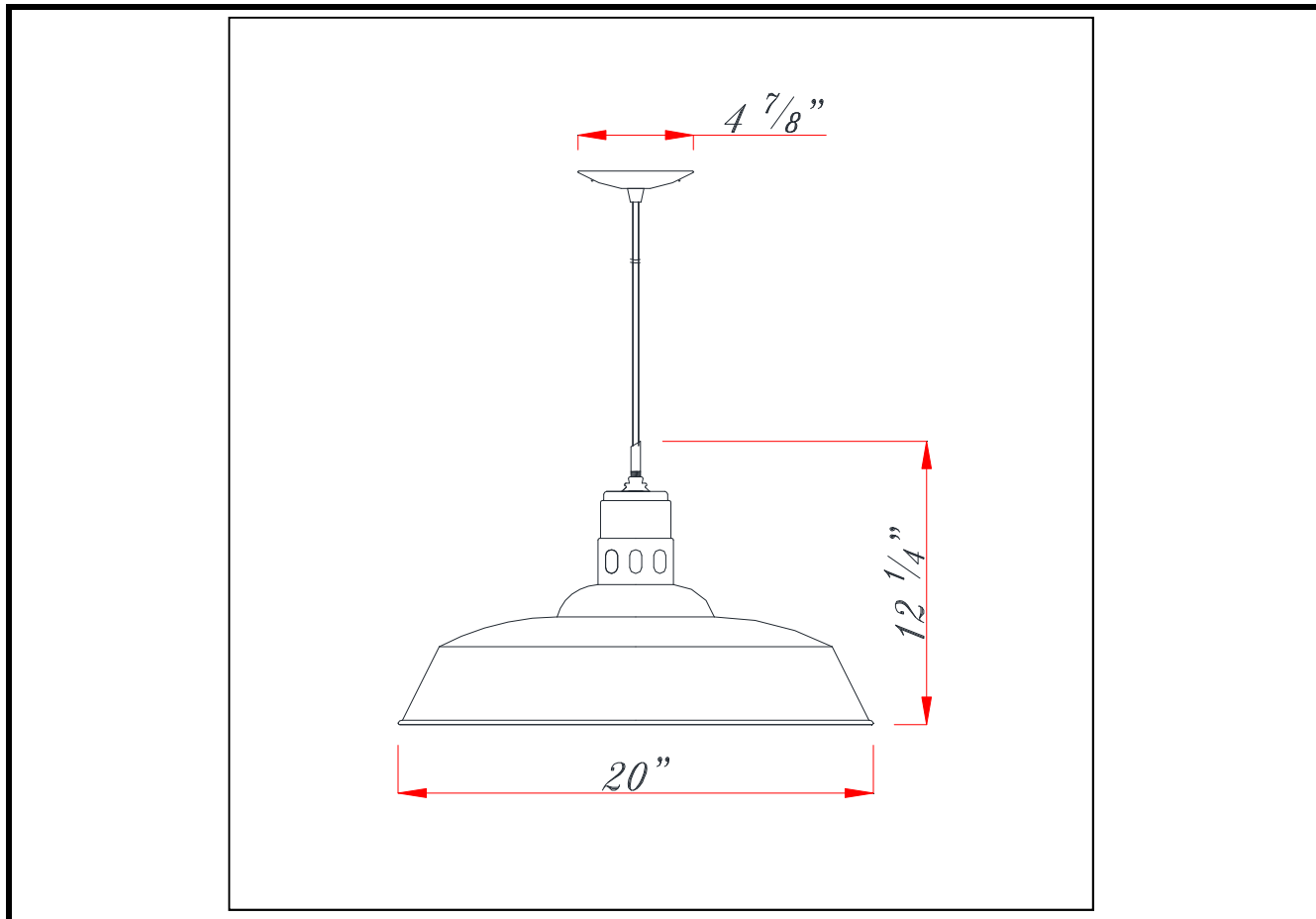
Type: _____

Project: _____

Catalog No.: _____

Lamp/Wattage: _____

Drawing:



- Model No:** UP-1112-6
- Description:** 150W Danberry metal pendant with metal guard
- Material:** Metal
- Finish :** Brushed Steel / Rust / Dark Bronze
- Height:** 12 1/4"
- Width:** 20"
- Wattage :** 150W
- Socket :** Medium Base (E26)
- Bulb:** Incandescent
- Chain Length:**
- Wire Length:** 6'
- Wire Color:** Matching metal shade
- Shade No:**
- Material:**
- Shade size:**
- Certificate :**

