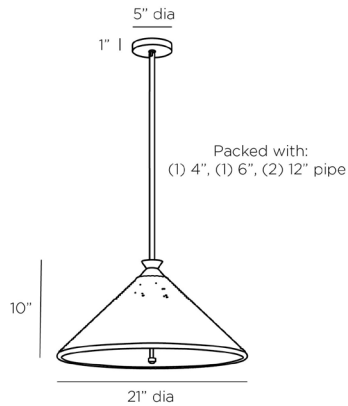


ARTERIOS

TERRACE PENDANT

CELERIE KEMBLE



GCDSS01

H: 13.5 IN, Dia: 21.00 IN

Natural, Rattan

Contract Suitable As Is

A continuation of the Terrace family, this pendant is made up of natural, handwoven rattan that brings a caribbean sophistication feel to the piece. With accents crafted of gold steel finished iron, the contrast points accentuate the whimsical silhouette. Finish will vary.

APPEARANCE

Material	Iron, Rattan
Finish	Gold Steel
Finish Will Vary	true
Top Coat/Sealant	true

DIMENSIONS

Diffuser	Dia: 19.00 IN
Pendant	H: 10 IN, Dia: 21.00 IN
Minimum Hanging Height	13.5 IN
Maximum Hanging Height	43.5 IN
Canopy	H: 1 IN, Dia: 5.00 IN

WIRING

Rating	Indoor Only
Suggested Bulb Type	A19
Cord	10 FT
Socket	2, Type A - E26
Maximum Watt	60
Voltage	110-120 V

CERTIFICATIONS

Certifications	Mexico Australia, European Union, United Arab Emirates, United States, Canada
----------------	----------------------------------------------------------------------------------

COMPLIANCY

UL/ETL	Yes
CB	Yes
RoHS	true

SHIPPING

Product Weight	4.6 LBS
Gross Weight 1	14 LBS

ADDITIONAL INFO

Features	Sustainable
----------	-------------

REPLACEMENT PARTS

Replacement Part 1	CANOPY-686
Replacement Part 1 Dim	1" x 5"
Replacement Part 2	PIPE-256
Replacement Part 2 Dim	(1) 6", (1) 12"

CONTRACT

Contract Suitable	true
-------------------	------