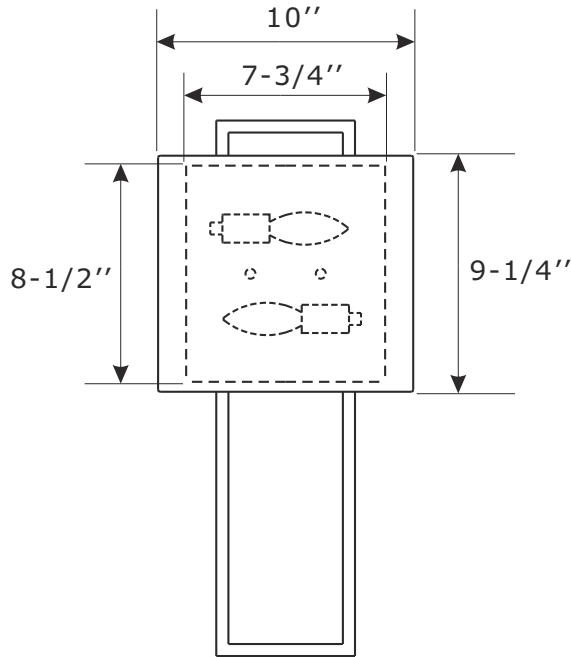
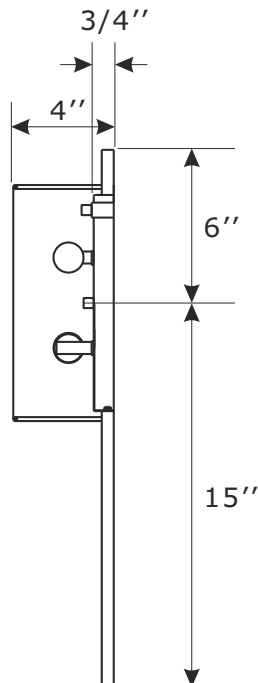




ASSEMBLY INSTRUCTION MODEL#FRE-422-BF



FRONT VIEW



SIDE VIEW

WARNING:



Electrical Danger



Turn Power off

All electrical components must be installed by a licensed electrician in accordance with the National Electric Code and the appropriate local electrical codes.



You will need 2- Candelabra Base Bulb
40 Watts Recommended 60 Watts Max.
USE LED BULBS FOR EXTENDED USE
This fixture is Dry rated

How to install

1. Attach the decorative arm to the bottom of backplate with the lock washers and screws.
2. Install the mounting plate to the outlet box using two outlet box screws.
4. Install backplate onto the mounting plate, and secure with the ball nut.
5. Install the bulbs(not included) into the socket.
6. Install the fabric shade onto the backplate, and secure with the finial.



ASSEMBLY INSTRUCTION MODEL#FRE-422-BF

Part Number

Part Numbers

- A. (1)-Mounting hardware
- B. (1)-Backplate L8-1/2"xW7-3/4"xH3/4" #XRF422BFBKP8.5IN
- C. (2)-Ball nut #XRF422BFBANUT
- D. (2)-Socket
- E. (2)-Finial #XRF422BFFIN
- F. (1)-Fabric shade L10"xW9-1/4"x4" #XRF422SHA10IN
- G. (2)-Screw
- H. (2)-Lock washer
- I. (1)-Decorative arm #XRF422BFARM

