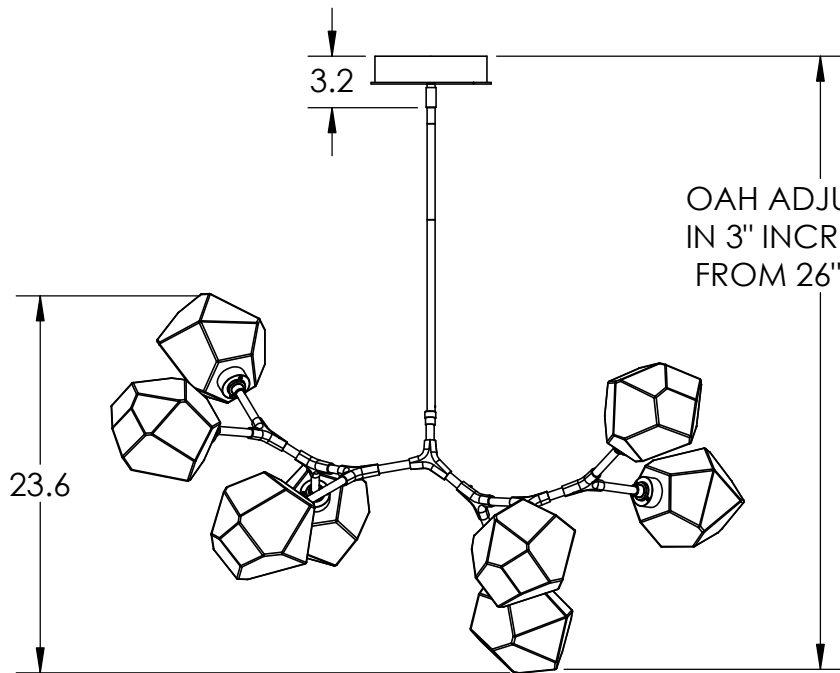
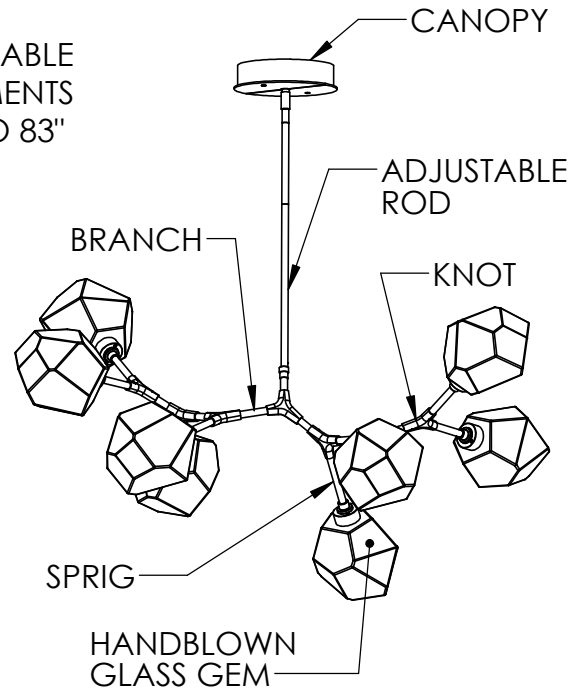


Collection: GEM

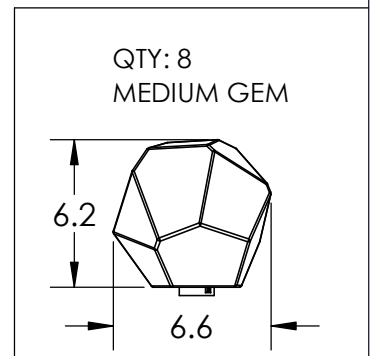
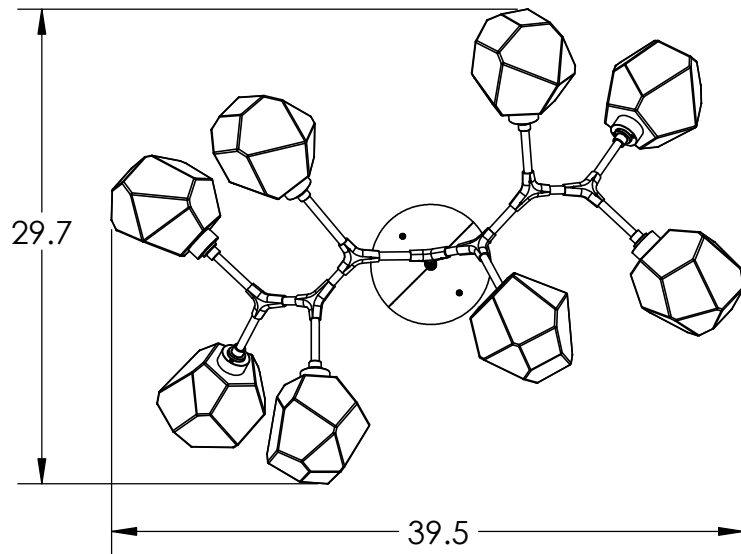
Product #: PLB0039-BB



OAH ADJUSTABLE  
IN 3" INCREMENTS  
FROM 26" TO 83"



**DIMENSIONS OF THE FIXTURE VARY  
BASED ON POSITION OF KNOTS**



This design employs both steel and aluminum. If a translucent finish is selected, both the artisan nature of our finish process and our use of mixed metals can result in differences in paint tones within an acceptable range.

All dimensions are shown in inches unless otherwise stated. Visit [hammertonstudio.com](http://hammertonstudio.com) for product options.

1/25/2022

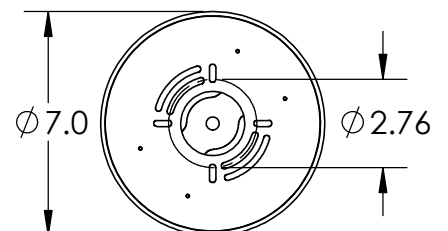
|                                  |                                       |                      |                  |
|----------------------------------|---------------------------------------|----------------------|------------------|
| Mounting Packet: T               | Weight(lbs.): 34                      | Electrical Type: LED | CCT: 2700/3000 K |
| UL Location: DRY                 | Elec. Qty: 8                          | Wattage: 21          | Voltage: 120     |
| Finish: SEE WEB SITE FOR OPTIONS | Source Lumens: Ambient: 1440          | Down: -----          |                  |
| Top Diffuser: CLOSED GLASS       | Dimmable: Forward/Reverse Phase To 1% |                      |                  |
| Bottom Diffuser: CLOSED GLASS    | CRI: 93+                              | Power Factor: >0.9   |                  |

All fixtures created by Hammerton are handcrafted by artisans. Dimensions may vary up to 7/8".

© Copyright 2020. All rights in design, detail or invention of this drawing are reserved as the property of Hammerton. Any imitation or adaptation without written consent is strictly prohibited.

Hammerton Inc. 217 Wright Brothers Dr. Salt Lake City, UT 84116 (801)973-8095

### Canopy Mounting Detail



MOUNTS DIRECTLY TO J-BOX