

STEP 6 - Install the Canopy Chain Loop and Nipple

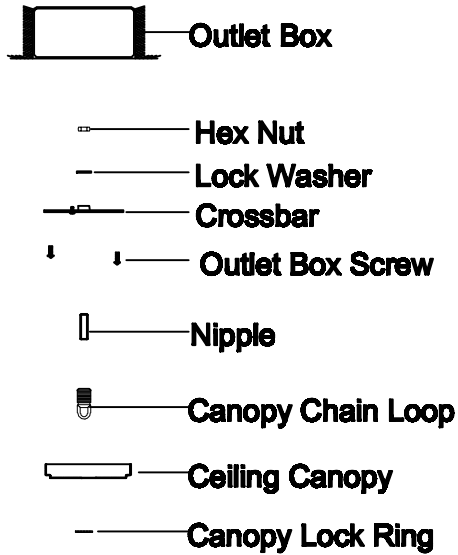


Figure 6

STEP 8 - Making the Wire Connections

A. Use standard wire connectors to make all wire connections. Twist connectors until wires are tightly joined together. Wrap each connection with approved electrical tape and carefully stuff all the connected wires into the Outlet Box.

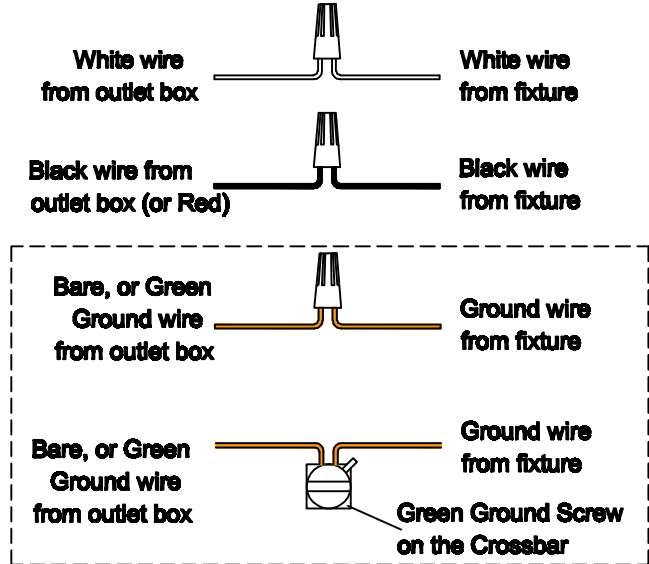


Figure 8

STEP 7 - Install the Fixture Chain and Ceiling Canopy

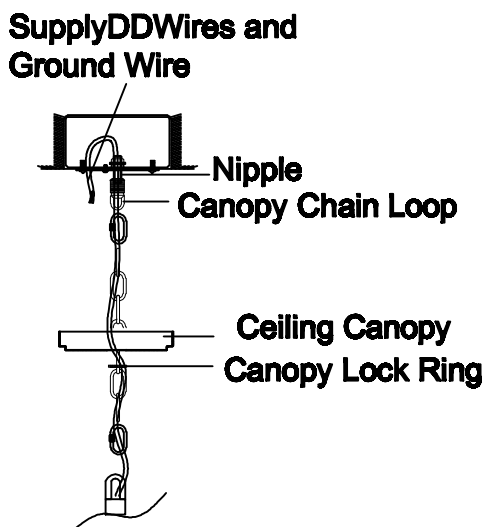


Figure 7

STEP 9 - Install Crystals and Bulbs .

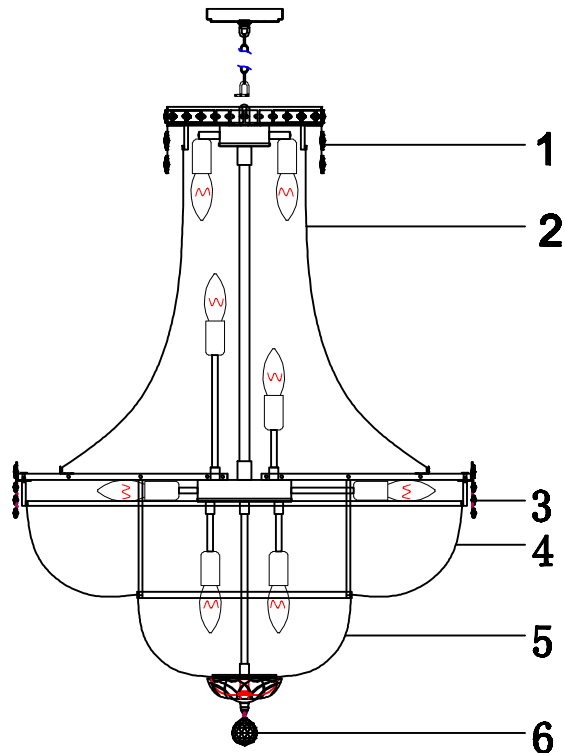


Figure 9