

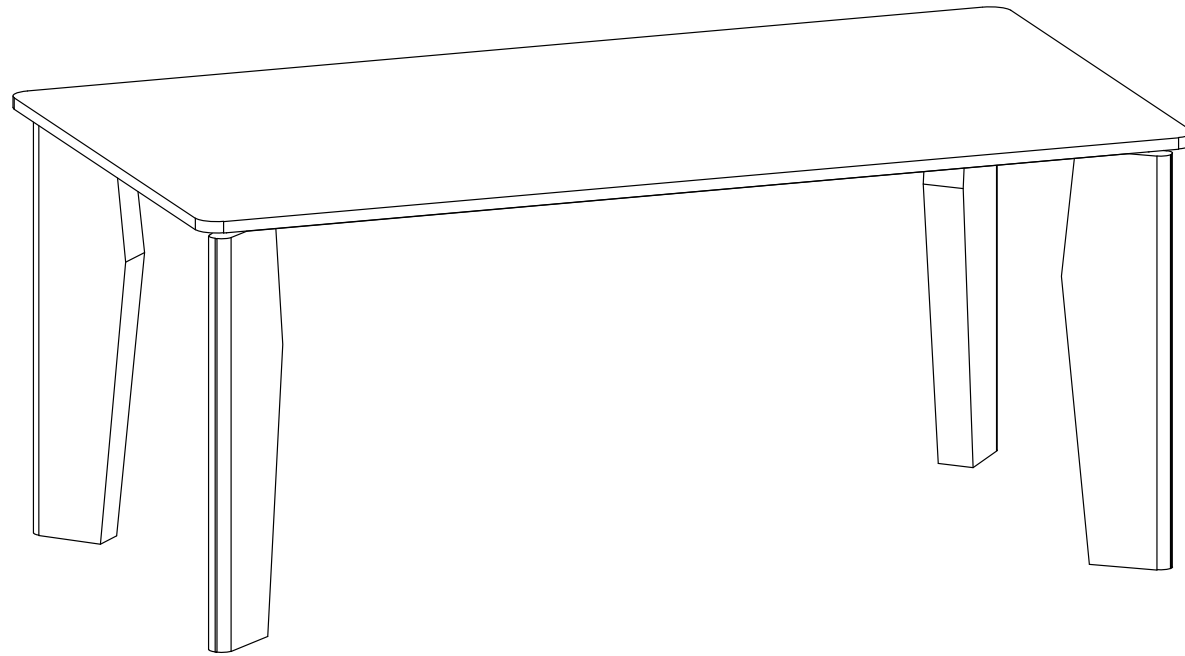
MOE'S

h o m e c o l l e c t i o n

ASSEMBLY INSTRUCTIONS.





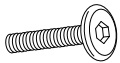

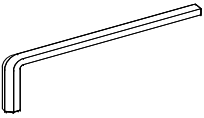
SATONA DINING TABLE BLACK

JD-1072-02-0

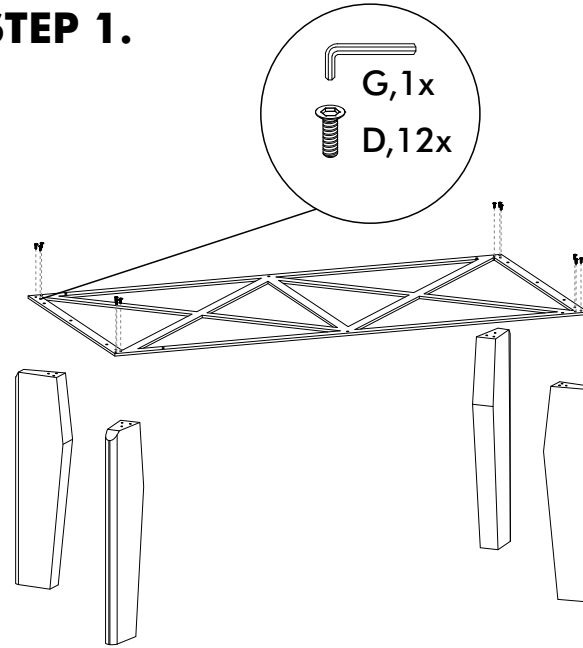


THANK YOU FOR YOUR PURCHASE!

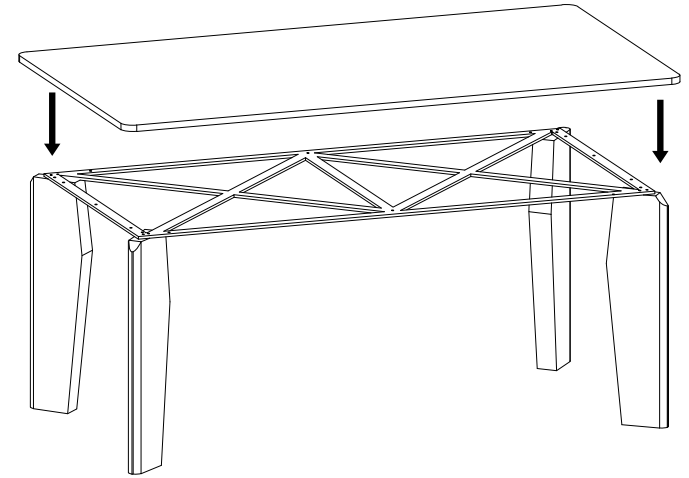
PARTS AND HARDWARE

<p>(A) Top , 1x</p> 	<p>(B) Frame , 1x</p> 
<p>(C) Legs, 4x</p> 	<p>(D) CSK Head Bolts, 12x (45x8mm)</p> 
<p>(E) Flat Head Bolts, 12x (20x8mm)</p> 	<p>(F) Flat Washer, 12x (25x8mm)</p> 
<p>(G) Allen Key, 1x (5mm)</p> 	

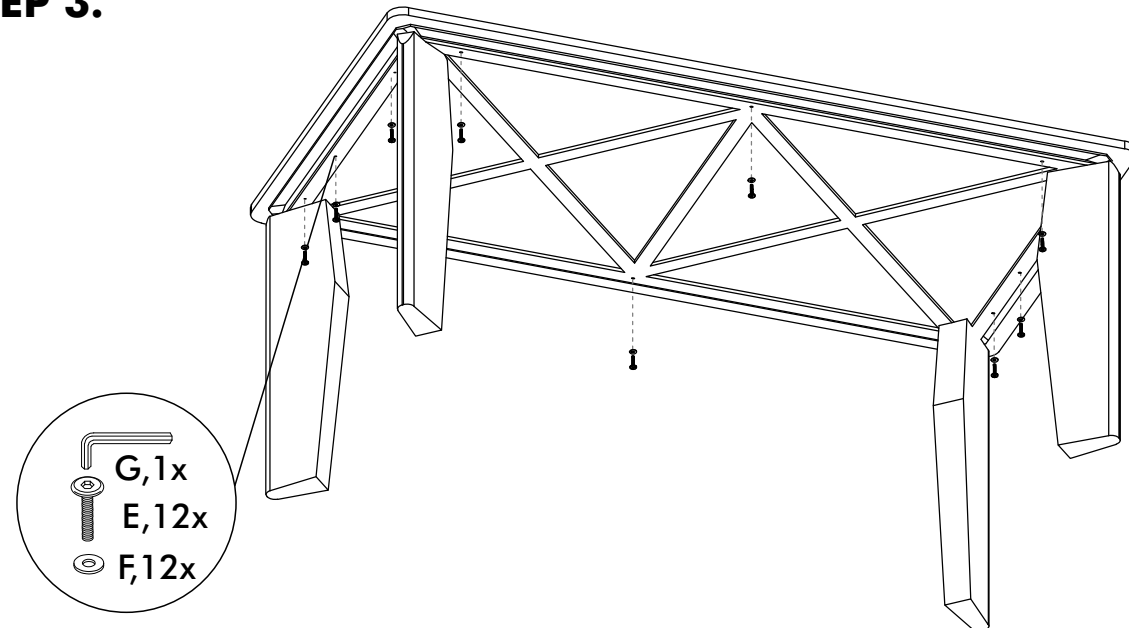
STEP 1.



STEP 2.



STEP 3.



NOTES.

Thank you for purchasing this quality product! Be sure to check all packing material carefully for small part that may have come loose inside the carton shipping.

CAUTION: The item is heavy, assembly should be performed by six people.