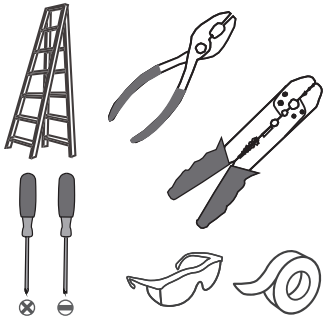
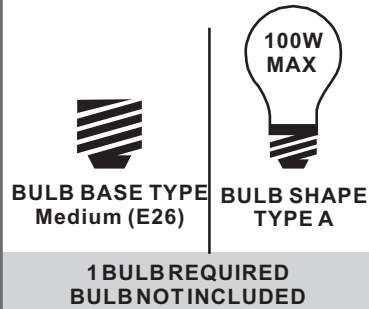


Tools Required



Light Source



Warnings and Cautions

Turn off the electricity at the circuit breaker before installation. Consult a licensed electrician if in doubt about installation.

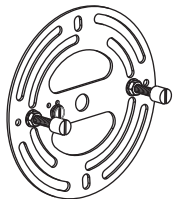
Turn off power to the fixture and allow the bulbs to cool before replacing.

Package Contents

Preparation: Identify and inspect all parts before beginning the installation.

Missing or damaged parts? Contact your original place of purchase.

PARTS BAG



A Crossbar Assembly x 1



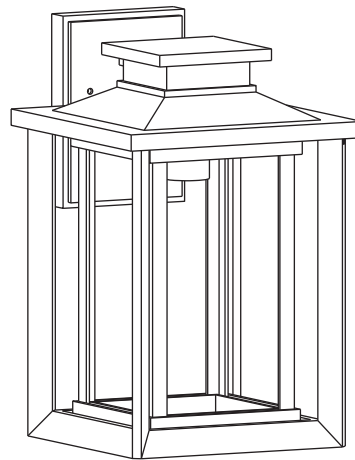
C Outlet Box Screw x 2



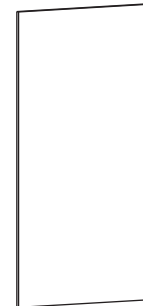
B Alternate Mounting Screw x 2



D Wire Connector x 3




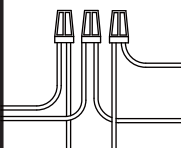
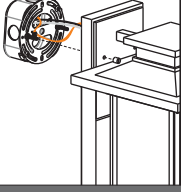

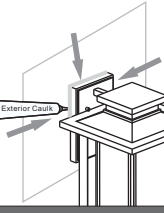


E Fixture Body x 1



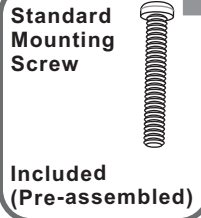
F Glass Panel x 4

Table of Contents

Alternate Mounting Screw	Crossbar Assembly	Glass Panel	Wiring	Fixture Body	Bulb	Caulk
						
STEP 1	STEP 2	STEP 3	STEP 4	STEP 5	STEP 6	STEP 7

STEP 1

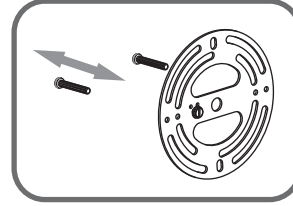
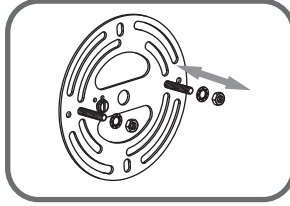
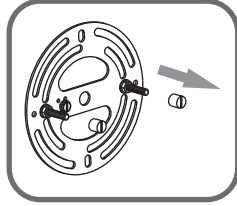
OPTION 1



skip to next page

1 2 3

Steps 1-3 to remove standard mounting screws



OPTION 2



Steps 4-6 to reassemble with alternate mounting screws

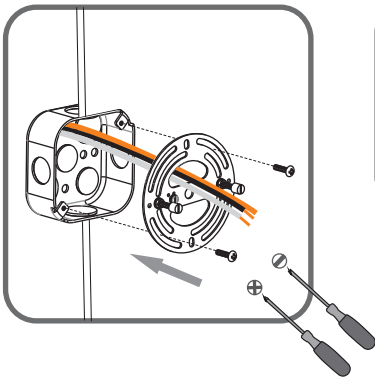
6

5

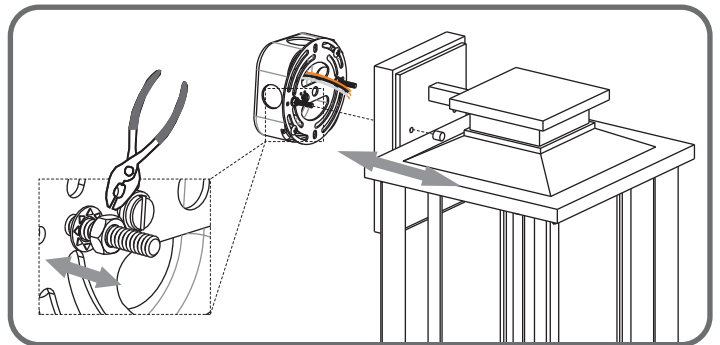
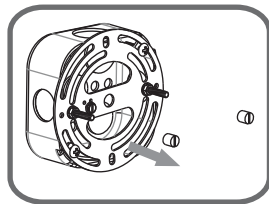
STEP 2

1 2 3

Step 2
Install crossbar assembly



Step 2 - 3
Test fitting backplate to mounting screws



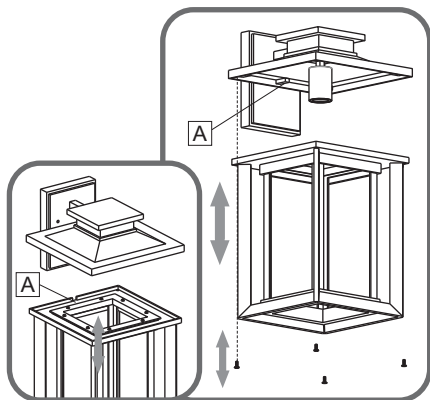
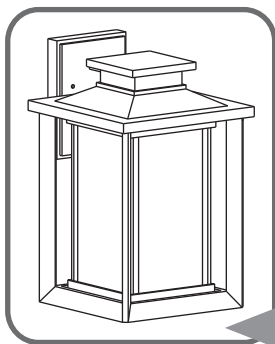
STEP 3

1 2 3

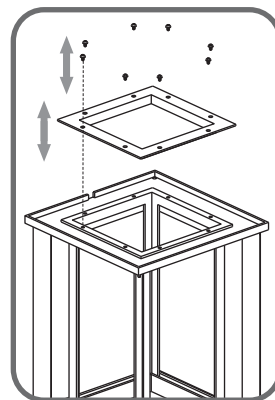
Remove cage

Remove glass panel holder

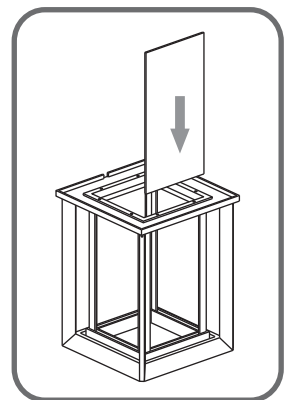
Install glass panel



Install cage



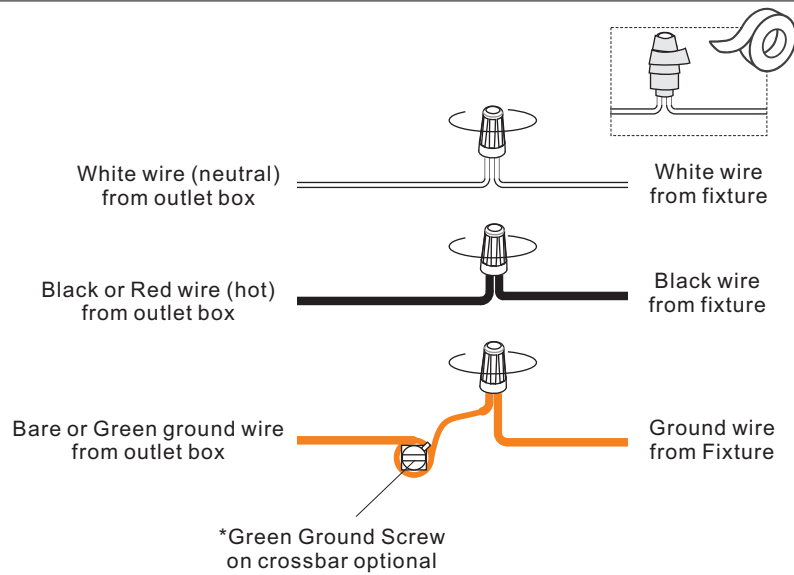
Install glass panel holder



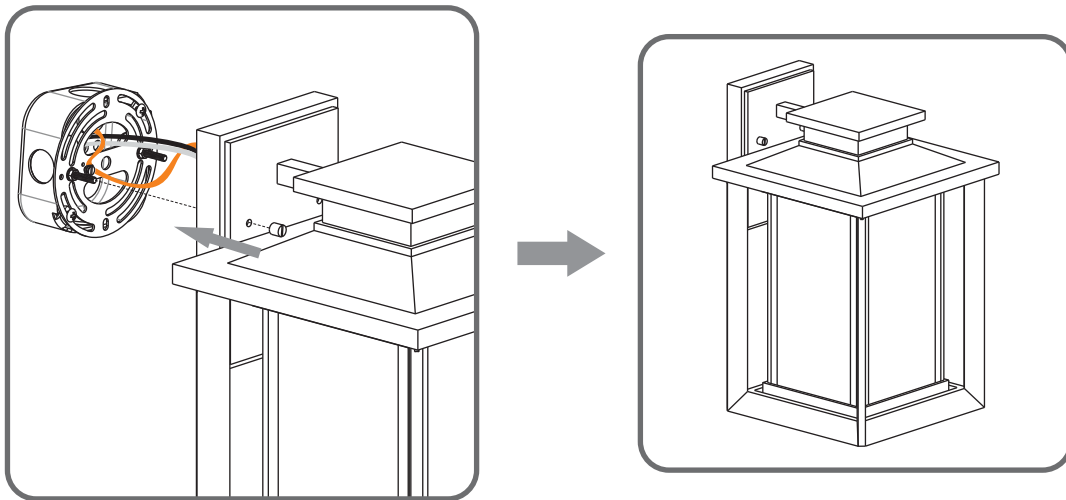
5

4

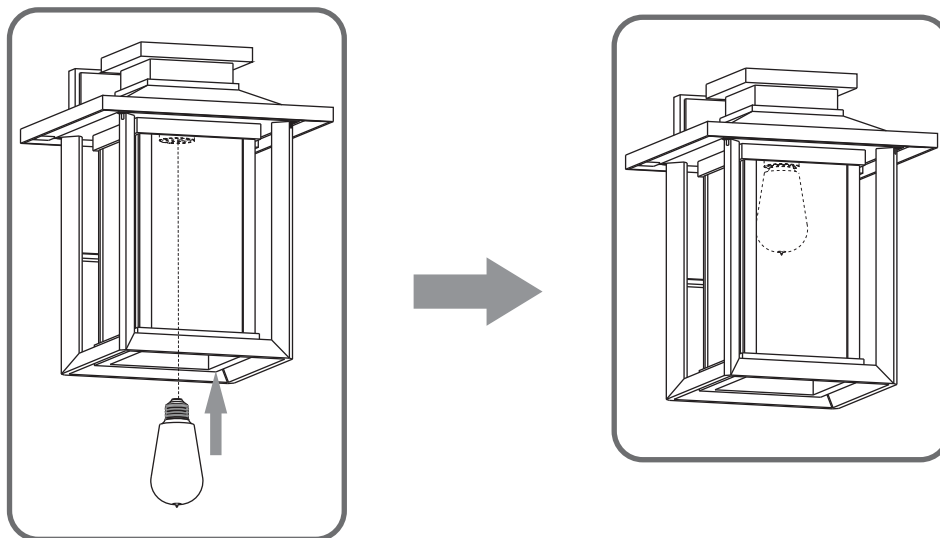
STEP 4



STEP 5



STEP 6



STEP 7

