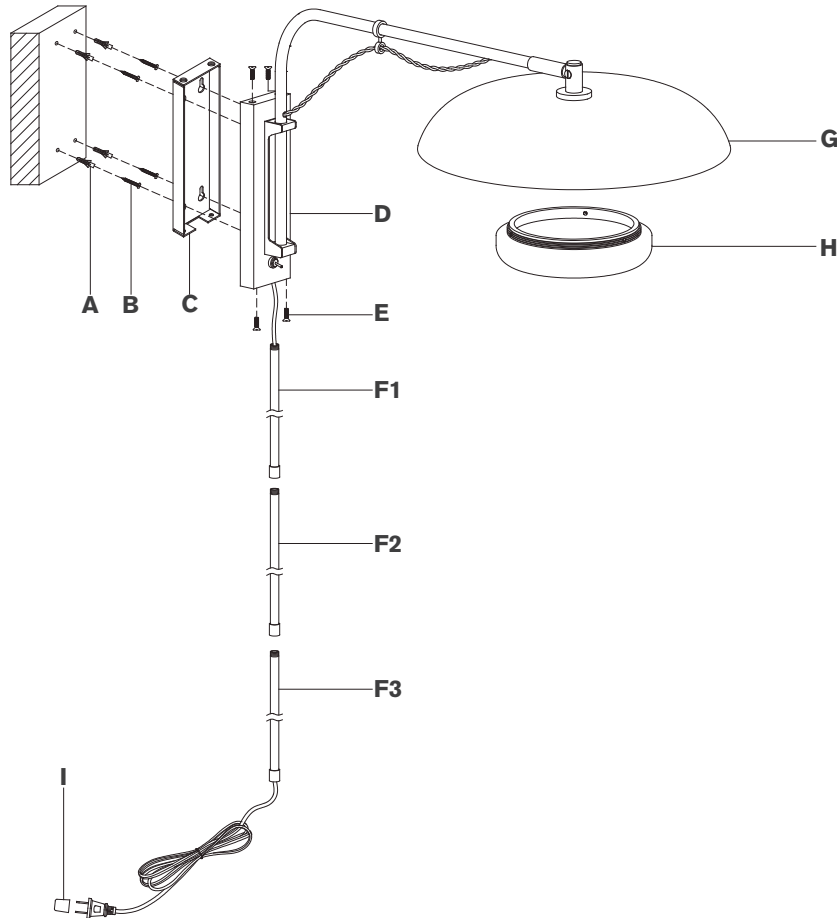


ASSEMBLY INSTRUCTIONS

Portable assembly



Cyrus Medium Articulating Wall Light

Item # AL 2040

NOTICE:

This light fixture should be installed in accordance with all applicable, local installation codes, and by a person familiar with the construction and operation of it, as well as the hazards involved. Inspect item and contents carefully. If any damage or defect is found, do not install. Retain all packaging material until installation is complete and approved.

TOOLS REQUIRED (NOT INCLUDED):

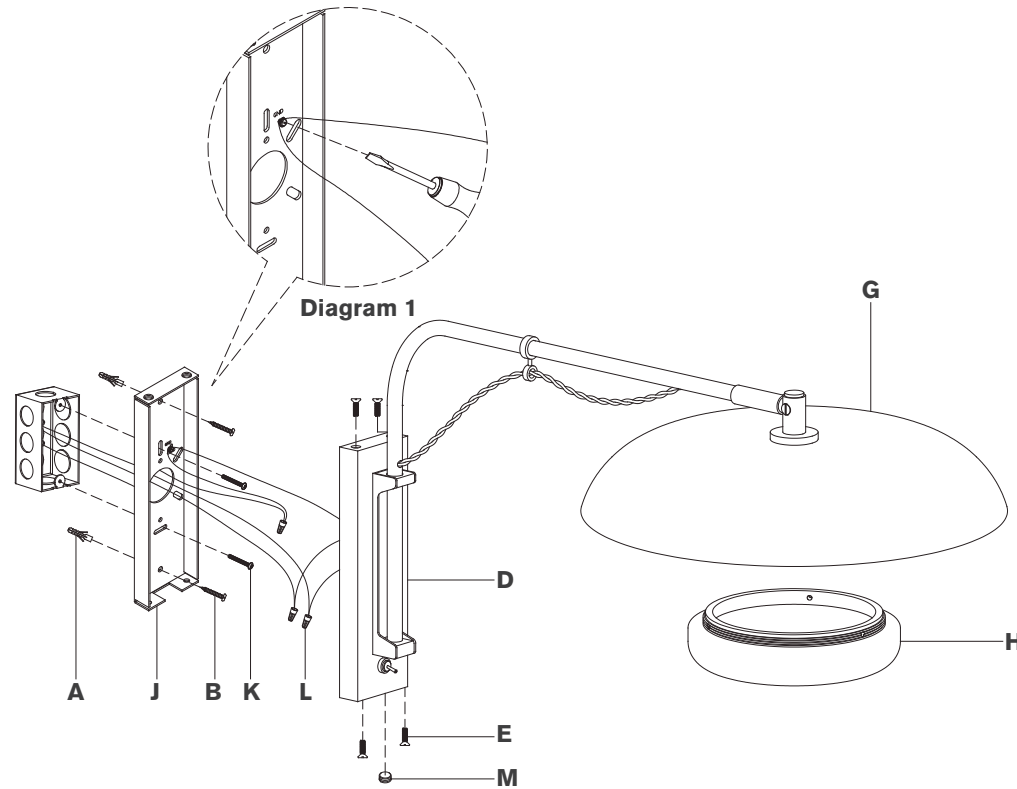
Phillips Screwdriver	Slotted Screwdriver	Drill
Pencil	Hammer	

1. Carefully remove all parts from the box. Place on a clean, soft surface.
 2. Remove portable mounting plate (C) from fixture (D) by removing screws (E).
 3. Using portable mounting plate (C) as a guide, mark anchor positions.
 4. Using a drill bit slightly smaller than the anchor, drill holes in the marked positions. Install anchors (A) into holes using hammer.
 5. Install portable mounting plate (C) to wall anchors using wood screws (B), then secure fixture (D) to portable mounting plate (C) using screws (E).
 6. Thread cord covers (F1) & (F2) & (F3) to fixture (D).
 9. Thread glass shade (H) to metal shade (G).
- NOTE:** Do not overtighten otherwise glass shade could be damaged.
10. Remove protective cover (I) from plug.
 11. Plug into electrical outlet and test the fixture.

Care Instructions: Clean only with a soft dry cloth or feather duster. Do not use abrasive or chemical agents.

ASSEMBLY INSTRUCTIONS

Hardwire assembly



Cyrus Medium Articulating Wall Light

Item # AL 2040

NOTICE:

This light fixture should be installed in accordance with all applicable, local installation codes, and by a person familiar with the construction and operation of it, as well as the hazards involved. Inspect item and contents carefully. If any damage or defect is found, do not install. Retain all packaging material until installation is complete and approved.

TOOLS REQUIRED (NOT INCLUDED):

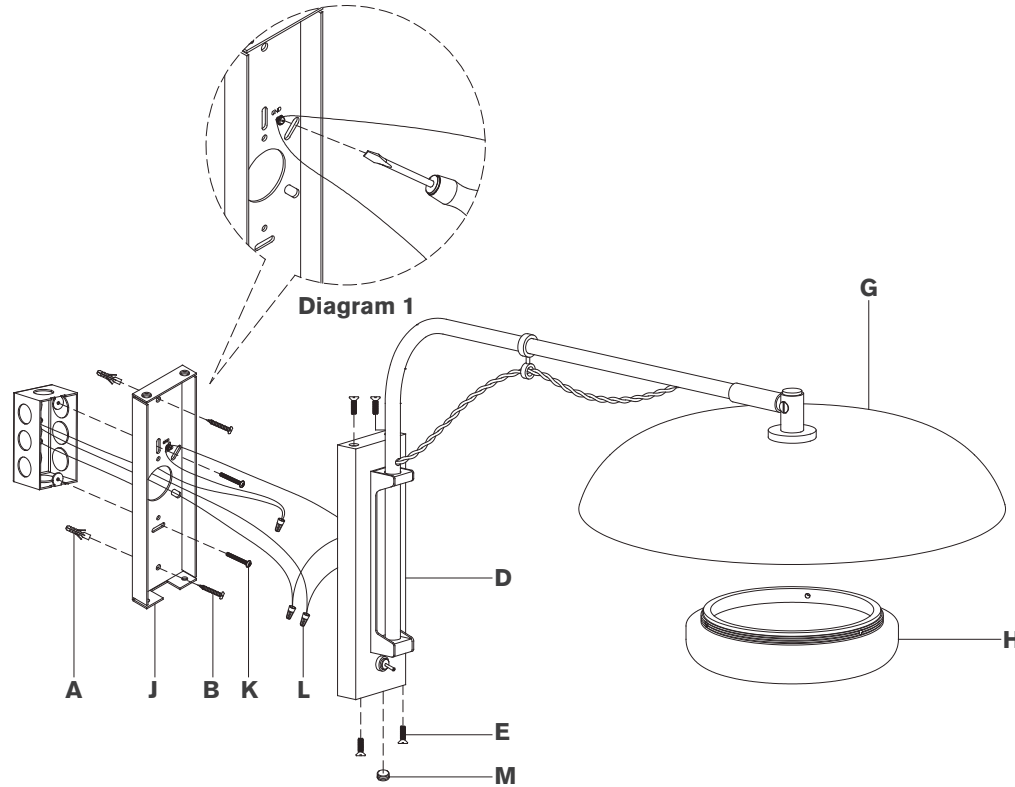
Phillips Screwdriver	Slotted Screwdriver	Drill
Pencil	Hammer	

1. Carefully remove all parts from the box. Place on a clean, soft surface.
2. Remove portable mounting plate (C) from fixture (D) by removing screws (E).
3. Using hardwire mounting plate (J) (located inside packaging) as a guide, line up with the junction box and mark anchor positions.
4. Using a drill bit slightly smaller than the anchor, drill holes in the marked positions. Install anchors (A) into the holes using hammer.
5. Install mounting plate (J) to the junction box and secure with mounting screws (K), then secure wood screws (B) to anchors (A).
6. Remove cord covers and portable cord by loosening the wire nuts.
7. Insert direct wire plug (M) to the bottom of fixture (D).
8. Wrap fixture ground wire (bare copper) around the green grounding screw (see diagram 1). Tighten. Continue fixture ground wire and connect to supply ground wire (usually green or bare copper) using wire nut (L).
9. Connect fixture neutral wire (white) to the supply neutral wire (usually white) using wire nut (L).
10. Connect fixture hot wire (black) to the supply hot wire (usually black) using wire nut (L).

CAUTION: Do not reverse the hot and neutral connections.

ASSEMBLY INSTRUCTIONS

Hardwire assembly



Cyrus Medium Articulating Wall Light

Item # AL 2040

NOTICE:

This light fixture should be installed in accordance with all applicable, local installation codes, and by a person familiar with the construction and operation of it, as well as the hazards involved. Inspect item and contents carefully. If any damage or defect is found, do not install. Retain all packaging material until installation is complete and approved.

11. Make sure all wire connections are tight, then carefully tuck into the junction box.
12. Install fixture (D) to hardwire mounting plate (J) and secure with screws (E).
13. Thread glass shade (H) to metal shade (G).

NOTE: Do not overtighten otherwise glass shade could be damaged.

Care Instructions: Clean only with a soft dry cloth or feather duster. Do not use abrasive or chemical agents.