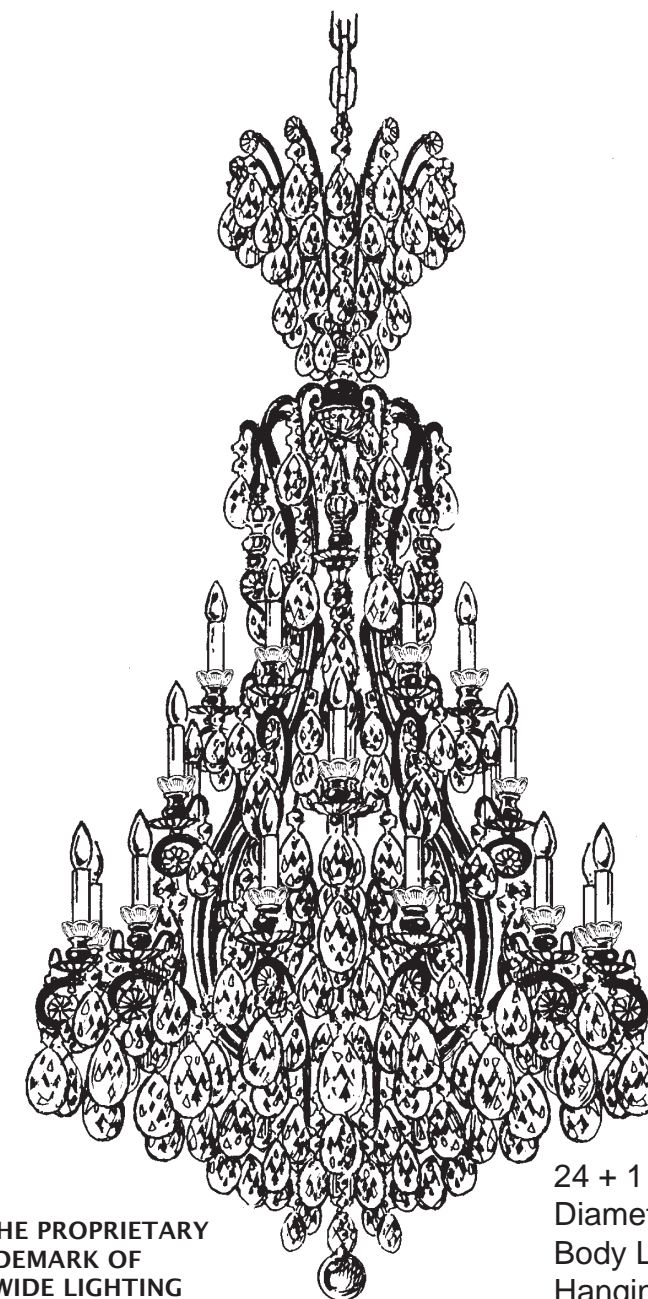


SCHONBEK®

CHANDELIER 3783- _____ TRIM DIAGRAM

(Finish Option)



THIS DESIGN IS THE PROPRIETARY TRADE DRESS/TRADEMARK OF SCHONBEK WORLDWIDE LIGHTING INC.

24 + 1 Lights
Diameter: 36"
Body Length: 72"
Hanging Weight: 124 lbs.

SCHONBEK®

**Follow steps in exact order
Save this trim diagram for future reference**

1

IMPORTANT

Person who opens carton should record the following information for future service.

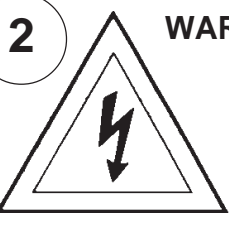
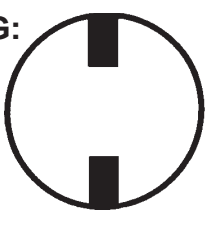
CODE # _____ Four-digit number on outside of carton.
PACKER # _____ See crystal package label.
ORDER # _____ See crystal package label.

SCHONBEK IS A WORLD LEADER IN CHANDELIER DESIGN. PATENTS INCLUDE:
#5,222,805

Instructions for electrician

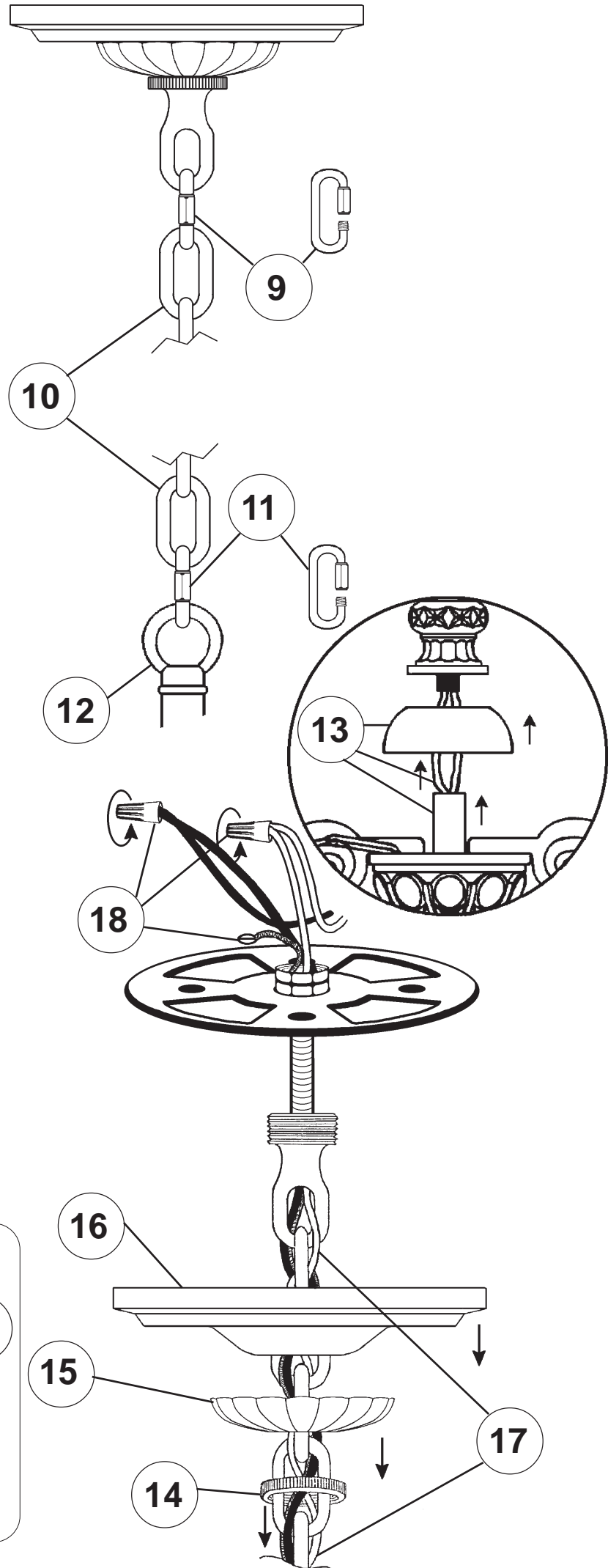
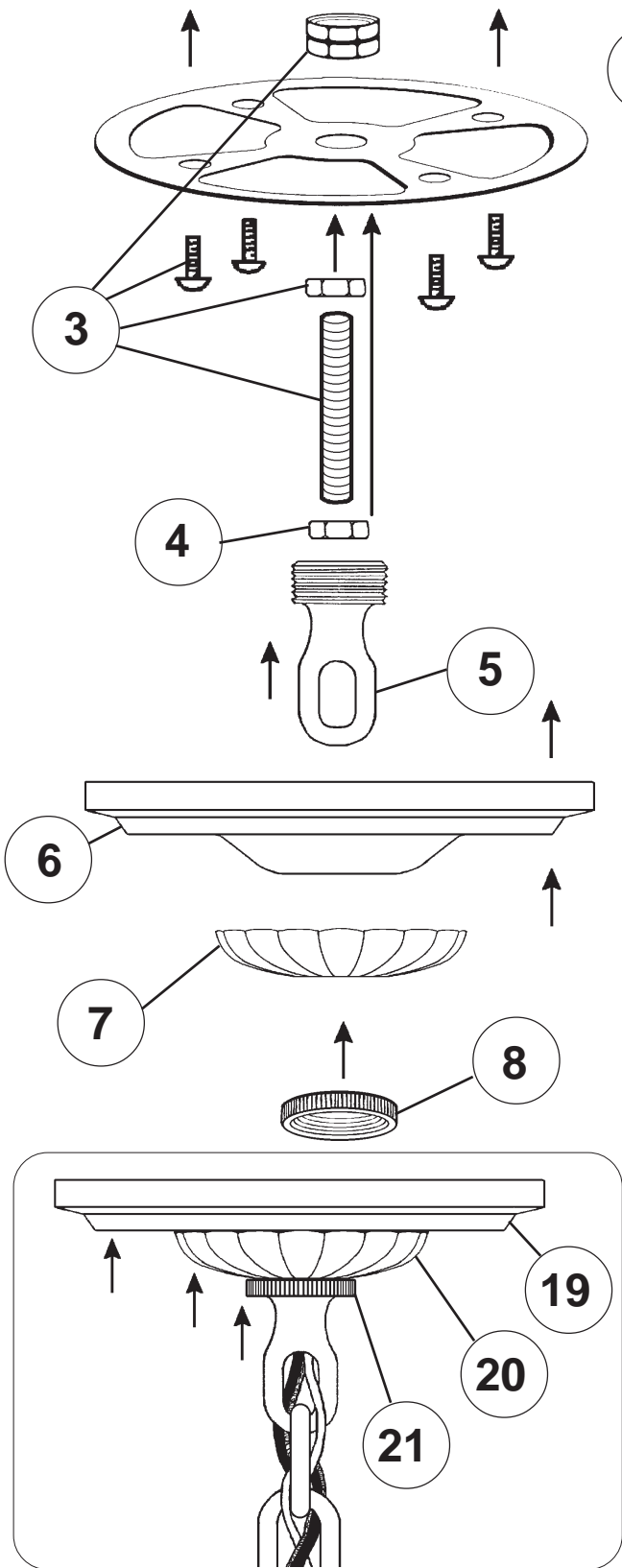
STEPS 2 - 21

WARNING: THIS LUMINAIRE MUST BE MOUNTED OR SUPPORTED INDEPENDENTLY OF AN OUTLET BOX.

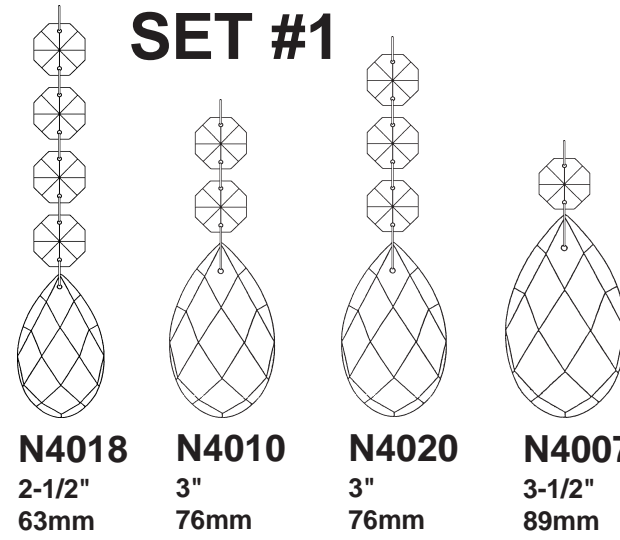
2 **WARNING:**  

Electrical Danger Turn Power Off

All electrical components must be installed by a licensed electrician in accordance with the National Electric Code and the appropriate local electrical codes.

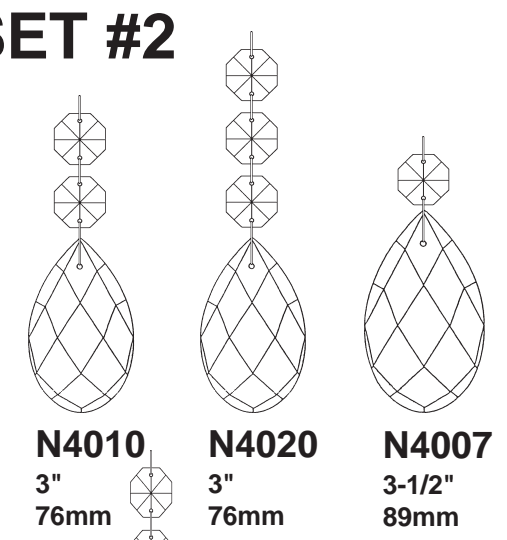


SET #1



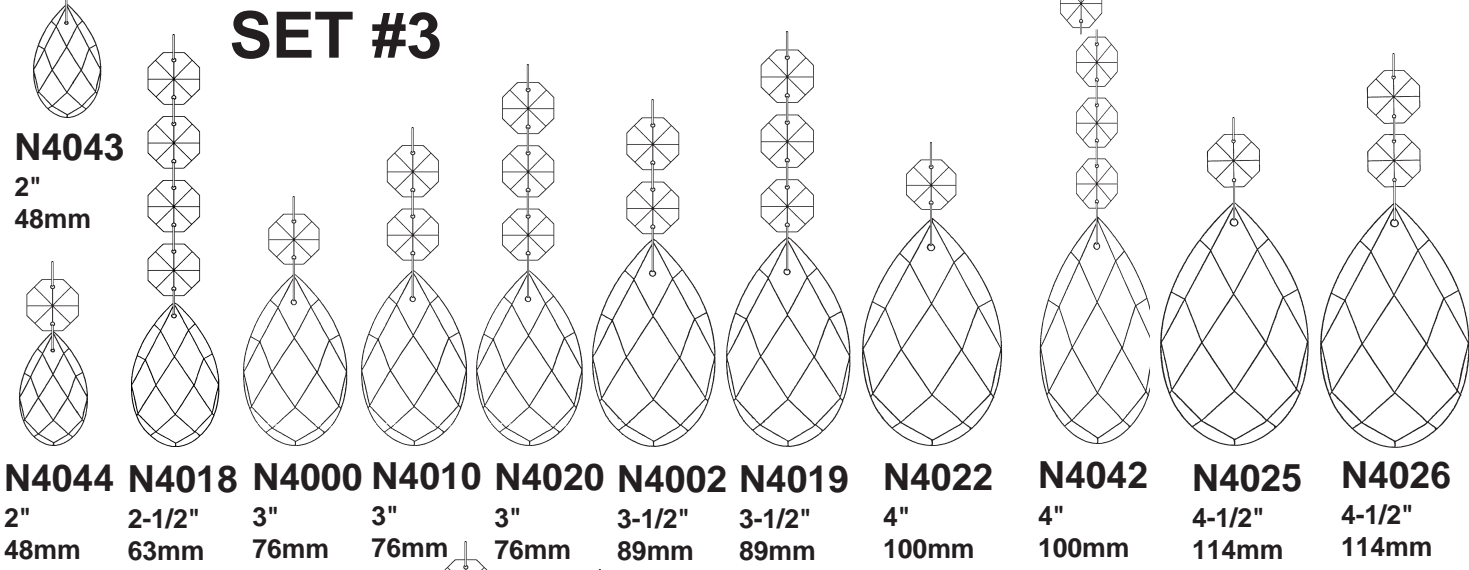
N4018 2-1/2" 63mm
N4010 3" 76mm
N4020 3" 76mm
N4007 3-1/2" 89mm

SET #2



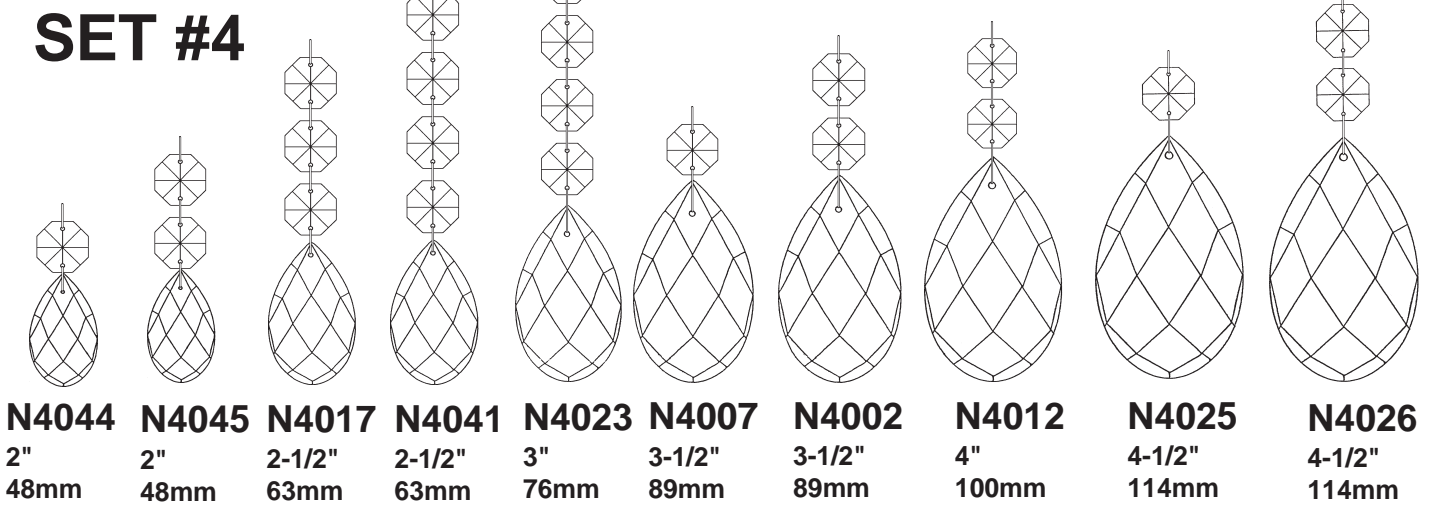
N4010 3" 76mm
N4020 3" 76mm
N4007 3-1/2" 89mm

SET #3



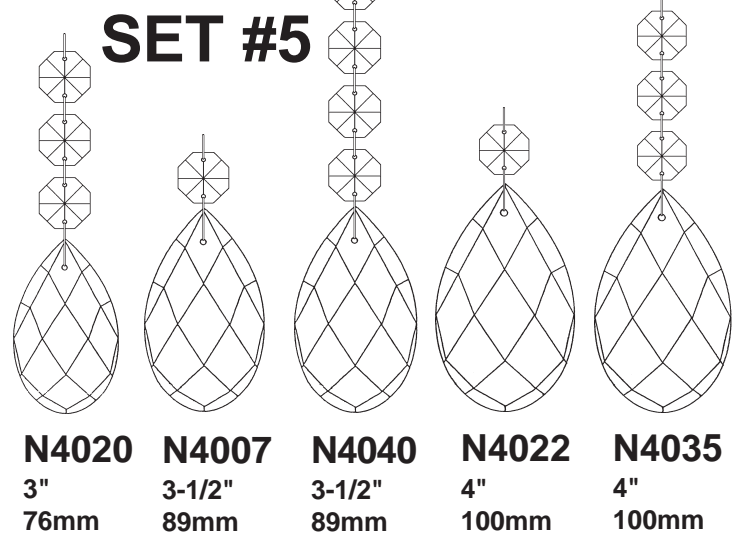
N4043 2" 48mm
N4044 2" 48mm
N4018 2-1/2" 63mm
N4000 3" 76mm
N4010 3" 76mm
N4020 3" 76mm
N4002 3-1/2" 89mm
N4019 3-1/2" 89mm
N4022 4" 100mm
N4042 4" 100mm
N4025 4-1/2" 114mm
N4026 4-1/2" 114mm

SET #4



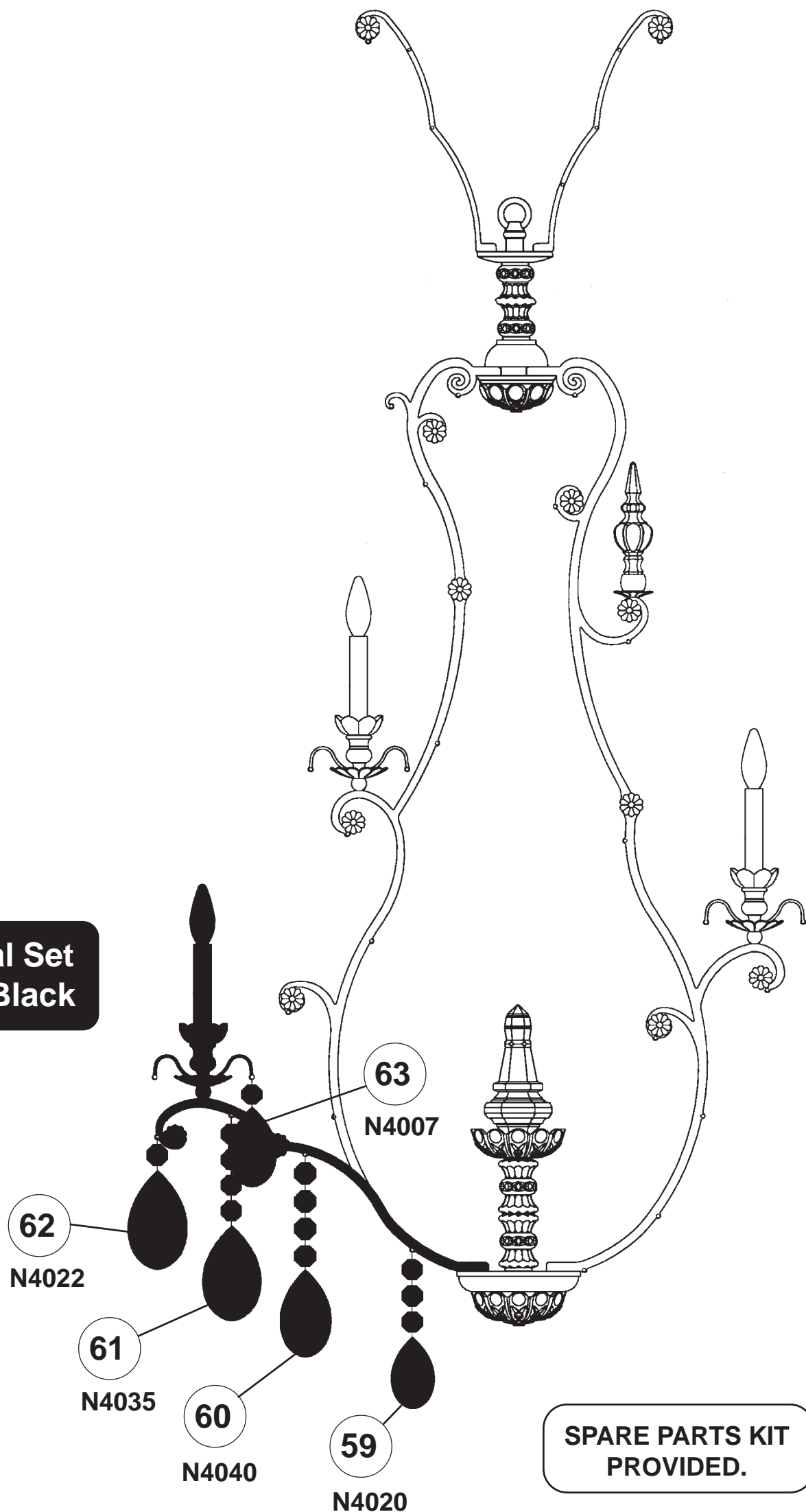
N4044 2" 48mm
N4045 2" 48mm
N4017 2-1/2" 63mm
N4041 2-1/2" 63mm
N4023 3" 76mm
N4007 3-1/2" 89mm
N4002 3-1/2" 89mm
N4012 4" 100mm
N4025 4-1/2" 114mm
N4026 4-1/2" 114mm

SET #5

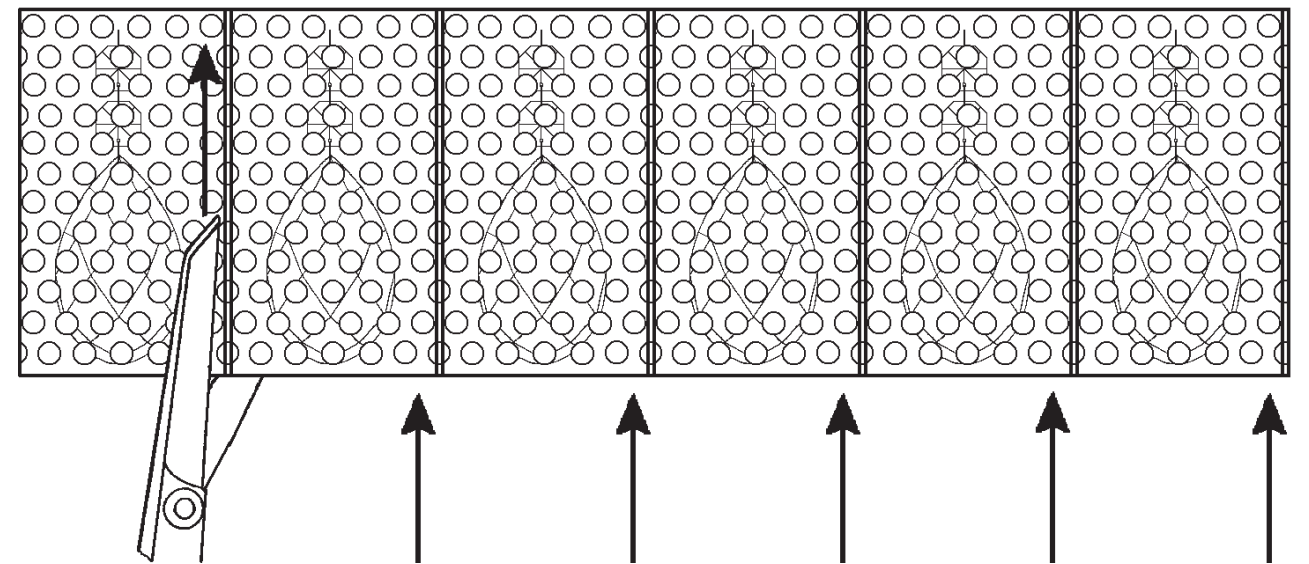


N4020 3" 76mm
N4007 3-1/2" 89mm
N4040 3-1/2" 89mm
N4022 4" 100mm
N4035 4" 100mm

**Crystal Set
#5 in Black**



For easy removal of crystal from bubble pack, please cut along pouches on the inside of the seam. Gently remove crystal from the side of the pouch.



NOTE: Work on one crystal set at a time. Follow the black line from top to bottom according to the numbered steps on the trim diagram.

**Crystal Set
#2 in Black**

**Crystal Set
#3 in Black**

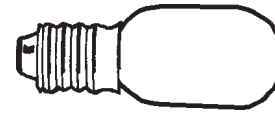
**Crystal Set
#1 in Black**



**Crystal Set
#4 in Black**

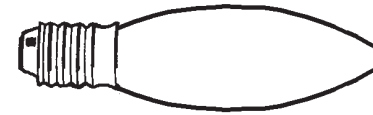
Instructions for crystal trimming

STEPS 22 - 63



You will need 1 - T7
15 Watts Max
(Center Light)

23

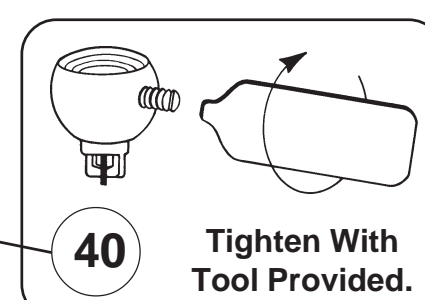


You will need 24 - C10
25 Watts Recommended
60 Watts Max

**Install bulbs and be
sure to test fixture
BEFORE trimming.**



**Tighten With
Tool Provided.**



**Tighten With
Tool Provided.**

FIXTURE INCLUDES:
Hanger Hardware
Trim
Frame
1 - T7 Light Bulb

DOES NOT INCLUDE:
B10 - Light Bulbs

