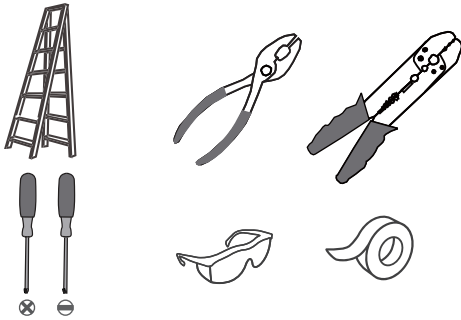


Tools Required



Light Source

40W
MAX



**BULB SHAPE
TYPE G9 XENON**

**6 BULBS REQUIRED
BULBS NOT INCLUDED**

Warnings and Cautions

Turn off the electricity at the circuit breaker before installation. Consult a licensed electrician if in doubt about installation.

Turn off power to the fixture and allow the bulbs to cool before replacing.

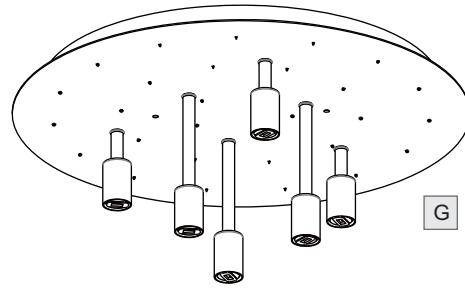
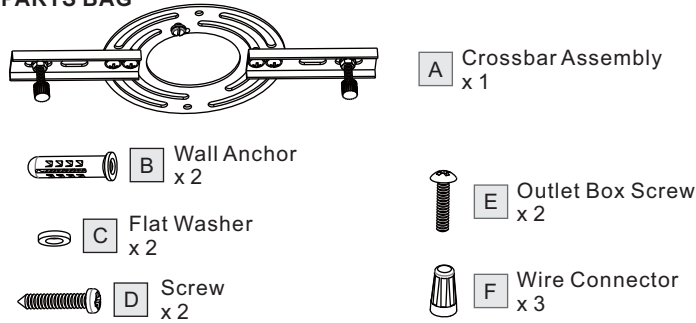
Do not touch the bulb with bare hands use a cloth or glove.

Package Contents

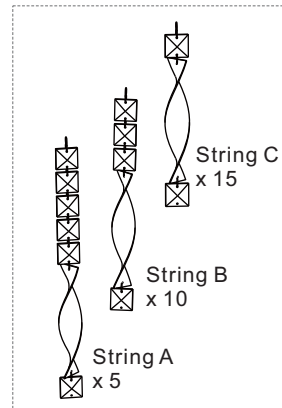
Preparation: Identify and inspect all parts before beginning the installation.

Missing or damaged parts? Contact your original place of purchase.

PARTS BAG



G Fixture Body
x 1



H String

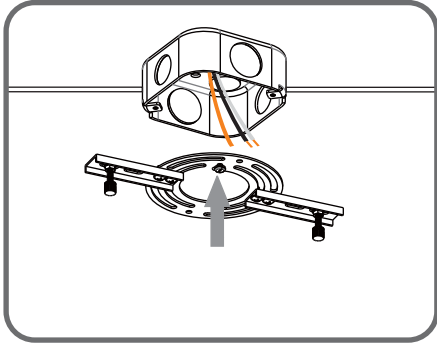
Table of Contents

Crossbar Assembly	Wiring	Fixture Body	Bulb	Strings
STEP 1	STEP 2	STEP 3	STEP 4	STEP 5

STEP 1

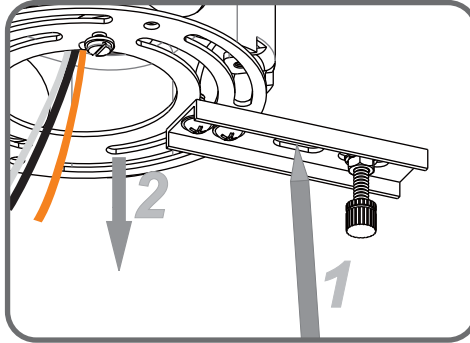
1

Fit crossbar assembly to outlet box



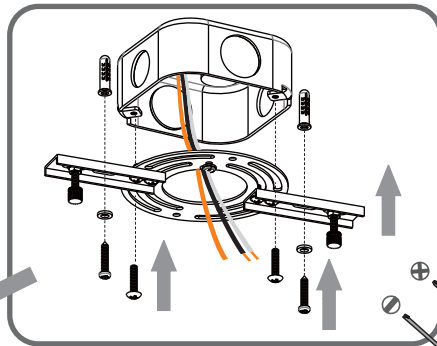
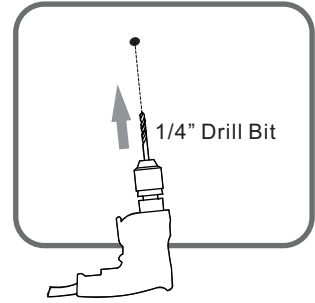
2

Mark anchor holes location on the ceiling



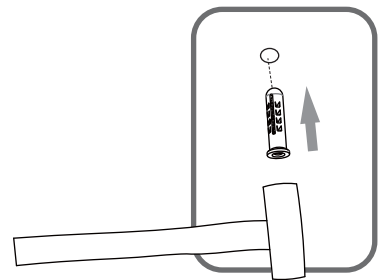
3

Drill holes for anchors from marks



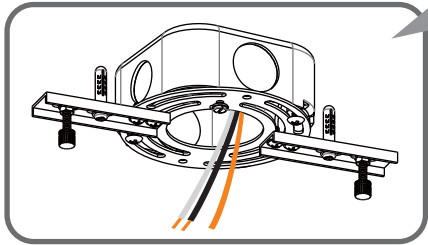
Install crossbar assembly

5

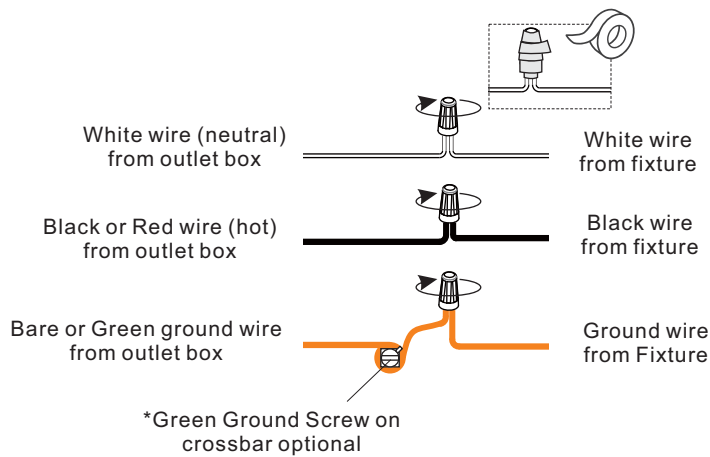


Install wall anchors

4



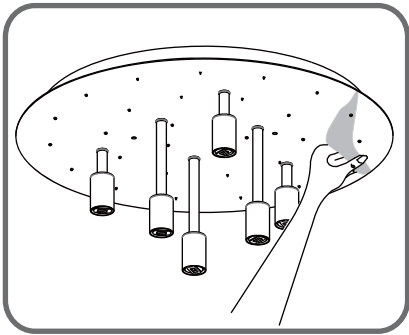
STEP 2



STEP 3

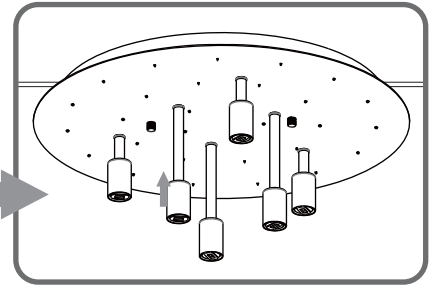
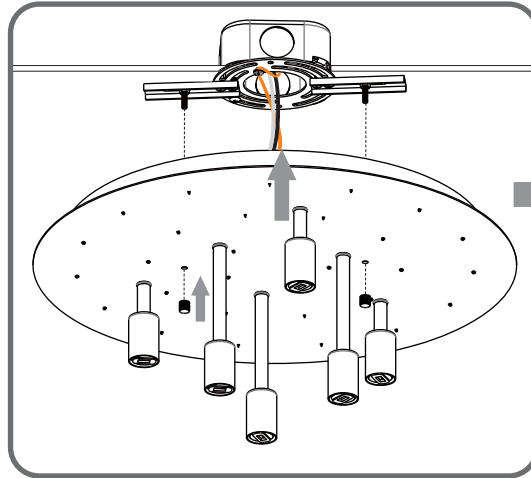
1

Remove protective film



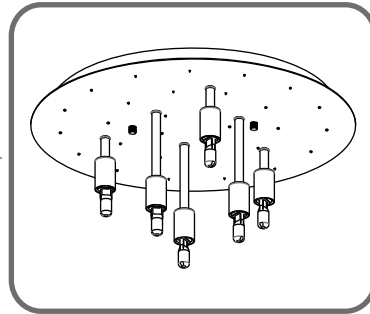
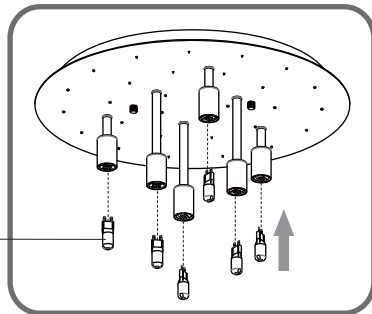
2

Install fixture body



STEP 4

ClearG9
Xenon Bulb
(not included)



STEP 5

