

Haim

3360, 3361, 3364, 3365

Aimable Wall Lamp, Aimable Wall Lamp w/Uplight, Aimable Double Wall Lamp w/Uplight, Aimable Double Wall Lamp

Product Information and Warnings

IMPORTANT

- **Always disconnect the power before installing or replacing Luminaires and before cleaning or other maintenance.**
 - **Consult a qualified, licensed electrician to ensure correct branch circuit conductor.**
 - ***Consulter un électricien qualifié pour vous assurer que les conducteurs de la dérivation sont adéquats.***
-
- Please read all included assembly instructions and warnings carefully before installation. Contact Customer Service if you have any questions or concerns. Before installation, please confirm that the fixture is compatible with your supply voltage and dimming system, if present.
 - LEDs are highly sensitive electronic devices, and must be treated with care. Do not open any factory sealed compartments, and avoid touching the LEDs with your hands or any object.
 - Although all our fixtures are equipped with protective devices, LED electronic systems are vulnerable to power surges and supply variations. Do not install LED fixtures on the same circuit as any motors, appliances, or HVAC systems.
 - Do not remove or bypass any LED Driver or Transformer that is provided with the fixture, and do not replace or substitute with another power supply.
 - Fixtures must be wired in parallel on independent leads; do not "daisy chain" multiple fixtures together or wire them in series.
 - All factory-made splices and connections must remain intact. LED circuits are carefully designed and built, and improper connections may damage the fixture.
 - Any mounting hardware is provided for your convenience and should be used with discretion. Always use the appropriate hardware for the mounting surface.

Assembly Instructions

Instructions D'Installation

1. Shut off power to the outlet box.
2. The LED driver (A) must be installed in a remote and accessible location near the fixture in accordance with local electrical code.
 - a. Connect the LED driver's live wire to the live supply wire.
 - b. Connect the LED driver's neutral wire to the neutral supply wire.
 - c. Connect the LED driver's positive (+) output wire to the necessary length of red wire (not included) to reach the fixture (B) location.
 - d. Connect the LED driver's negative (-) output wire to the necessary length of black wire (not included) to reach the fixture location.
 - e. Drill a small hole (C) in the wall behind the fixture (B) and pull the low voltage wires through the wall.
3. Screw the mounting plate (D) into the wall using mounting screws (F) and anchors (E).
4. Connect fixture red conductor to the LED driver positive (+) output wire and connect the fixture black conductor to the driver negative (-) output wire. Push connections back through the hole in the wall.
5. Place fixture over the mounting plate (D) and secure into place using set screws (G) and provided Allen key.
6. Restore power to the fixture.

Note:

To turn on fixture, touch power switch (H).
 Fixture cycles between 3 brightness settings and off with each touch.

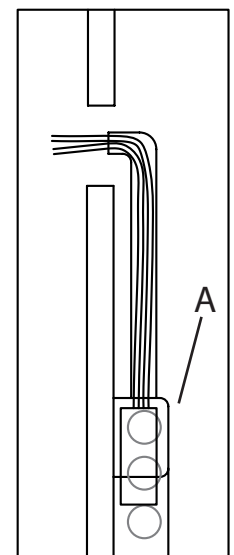
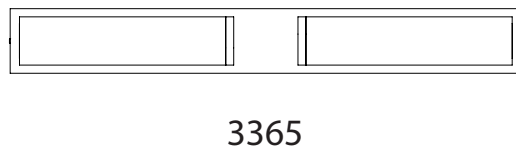
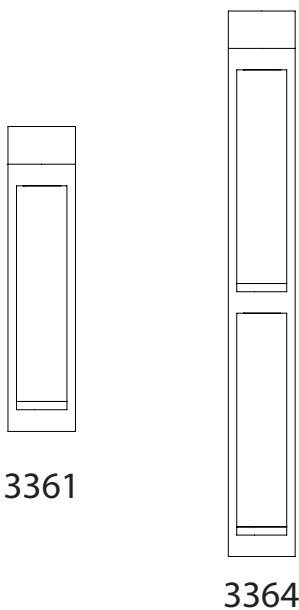
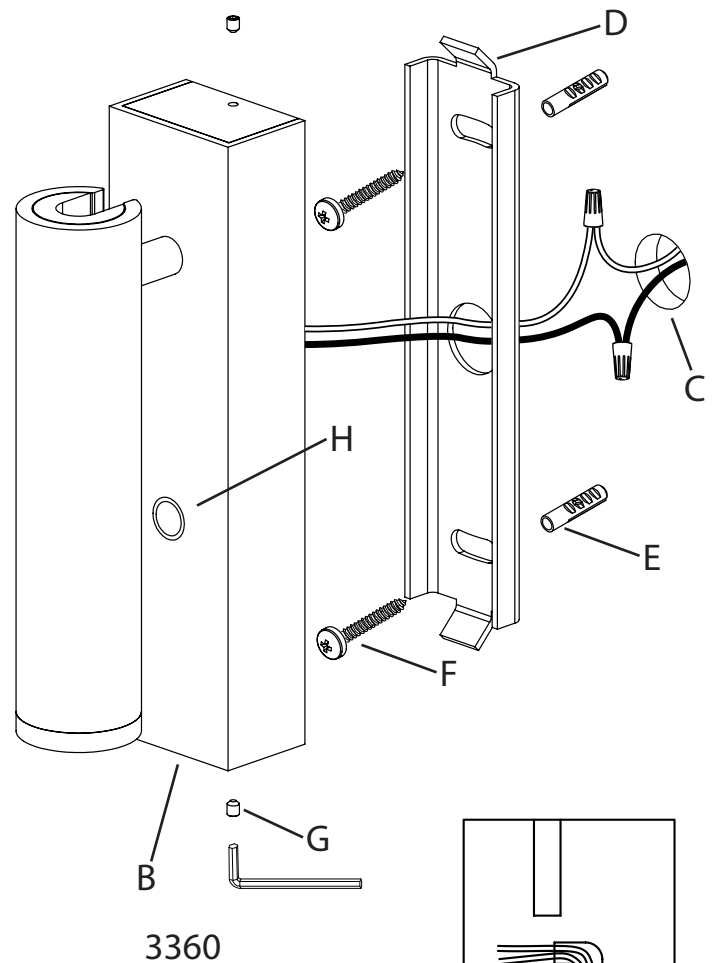


Fig. 1

Care Instructions:

Use a clean, dry cloth when dusting.
 To protect the finish, avoid any harsh abrasives or chemicals.