

SAFETY INFORMATION

Released Date: 2022-02-25

Please read and understand this entire manual before attempting to assemble, install or operate the product.

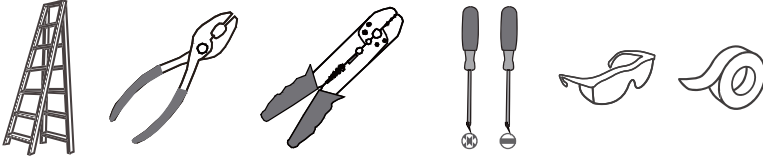
WARNING

- RISK OF ELECTRIC SHOCK - Before beginning installation, turn off electricity at the circuit breaker box or the main fuse box.
- RISK OF FIRE - Use bulbs specified by the markings and/or labels on the fixture.

CAUTION

- For your safety, read instructions completely before beginning installation.
- If in doubt about electrical installation, consult a licensed electrician.
- Turn off electricity to fixture before replacing the bulb(s).

TOOLS REQUIRED

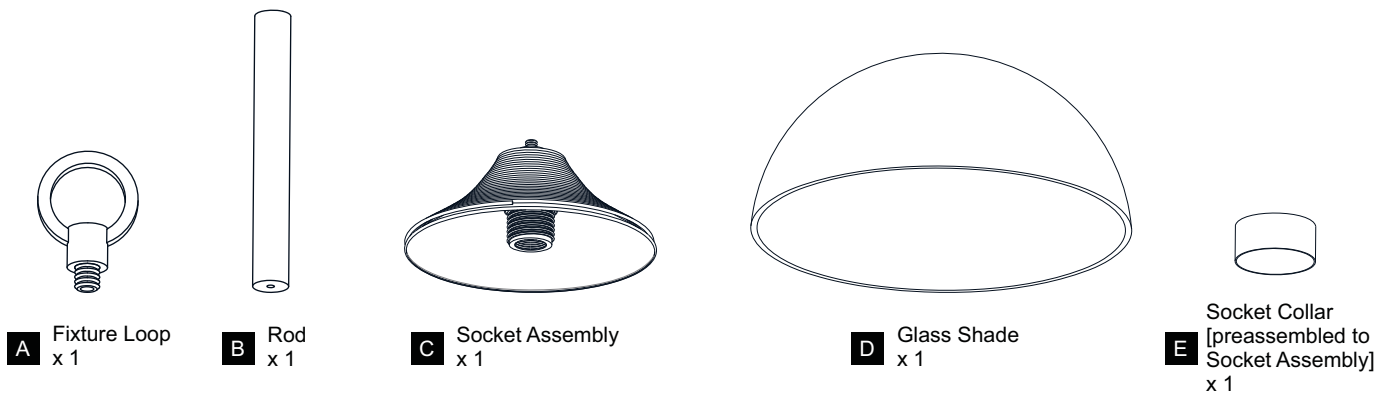


CARE AND MAINTENANCE

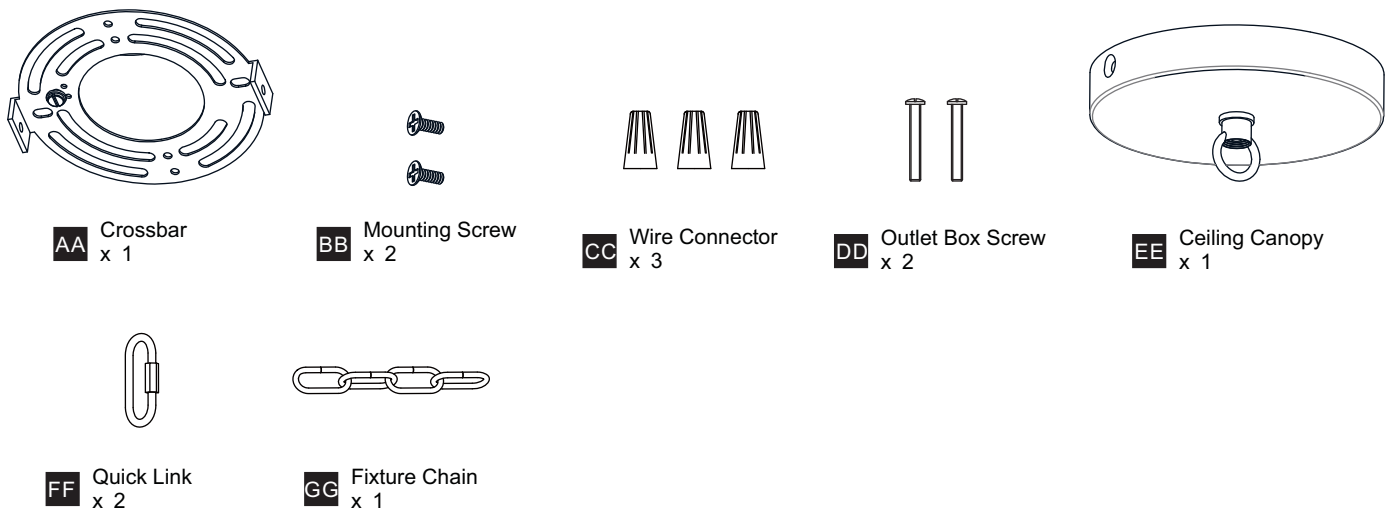
- Wipe clean using soft, dry cloth or static duster. Always avoid using harsh chemicals and abrasives to clean fixture as they may damage the finish.

If you need further assistance call Quoizel Customer Care at 1-800-645-3184 (9:00am - 5:00pm EST), or visit us on-line at www.quoizel.com.

PACKAGE CONTENTS



MOUNTING HARDWARE



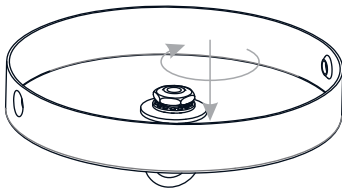
INSTALLATION

OPTION 1: PENDANT - OTN1512MBK

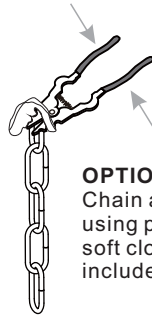
1 Install Rod and Fixture Loop



2 Tighten Hex Nut inside of Ceiling Canopy

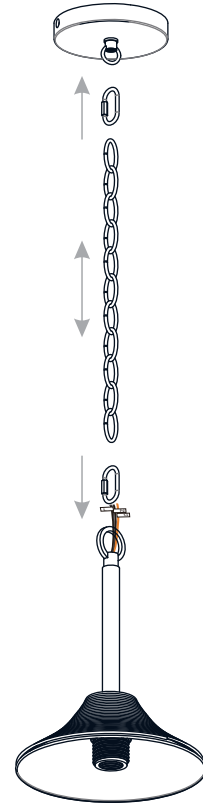


3 Install Fixture Chain



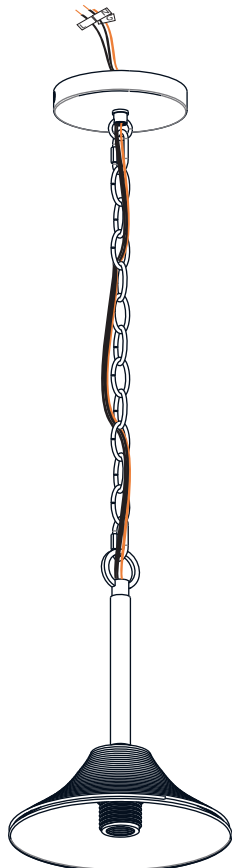
OPTIONAL: Adjust Chain as desired, using pliers and soft cloth (neither included).

Suggested chain length for Ceiling height:
8 feet ceiling: use 13 links of chain and 2 quick links
9 feet ceiling: use 23 links of chain and 2 quick links
10 feet ceiling: use 33 links of chain and 2 quick links.

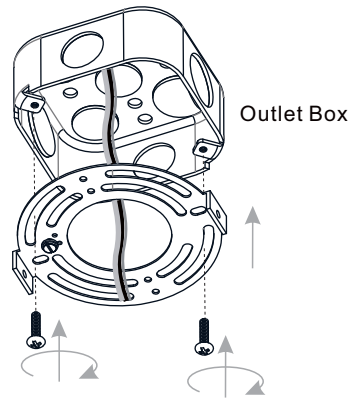


4 Pull Supply Wires

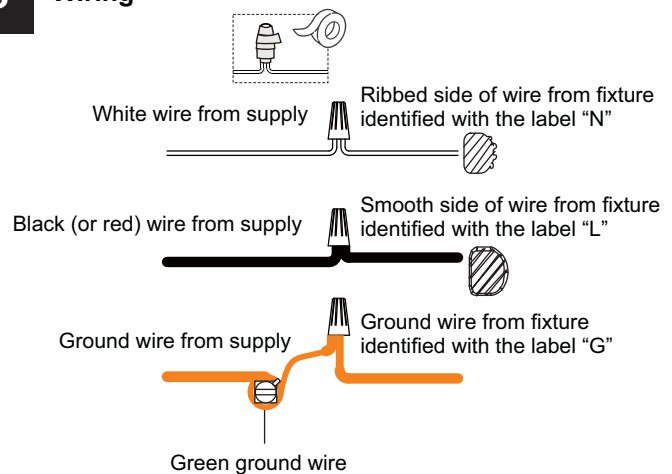
Pull the supply wires with ground wire through the chain alternate links.



5 Install Crossbar

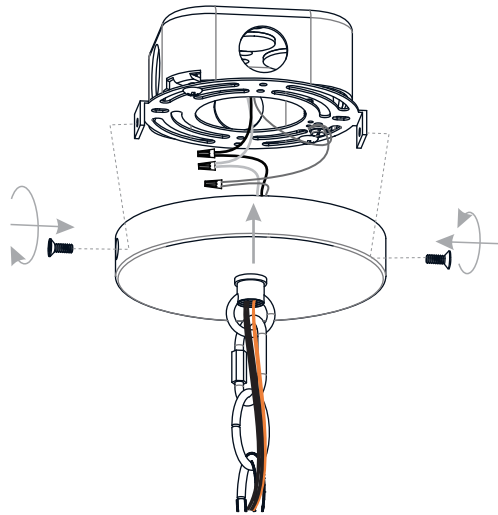


6 Wiring



INSTALLATION

7 Install Ceiling Canopy to Crossbar




8 Install Glass Shade and Bulb



Install the correct bulb referring to fixture markings and/or labels for maximum wattage.

Recommended Bulb Type (not included):


BULB BASE TYPE
Medium (E26)

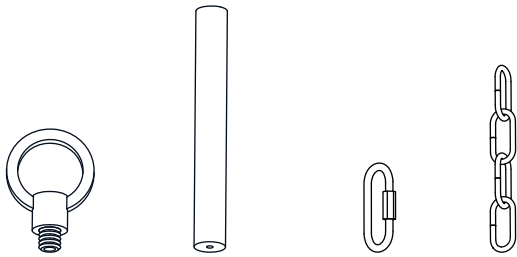

100W
MAX
BULB TYPE
TYPE A

Your installation is now complete! Restore electricity and save this sheet for future reference.

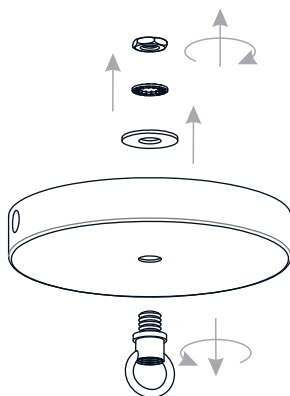
IMPORTANT: This CONVERTIBLE fixture can be mounted as pendant light or semi-flush light. **DO NOT CUT SUPPLY WIRES** if you intend to use it as pendant light.

OPTION 2: SEMI-FLUSH - OTN1712MBK

* Set aside *Fixture Loop, Rod, Quick Link* and *Fixture Chain* since they are not required for the semi-flush installation.

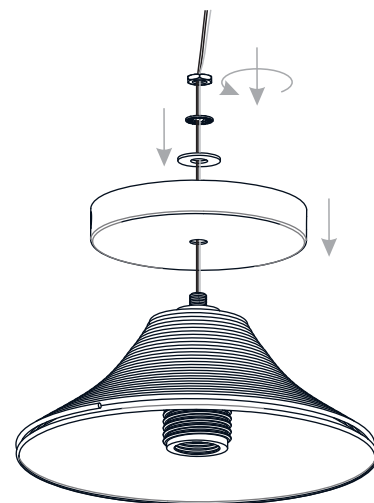


1 Remove Loop from Ceiling Canopy



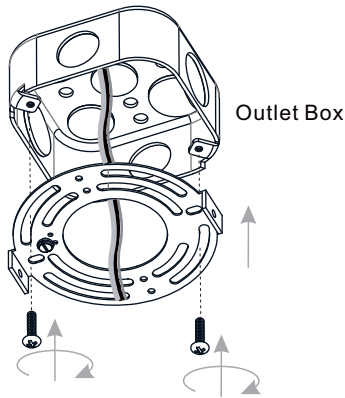
* Set aside *the Loop with nipple* since they are not required for the semi-flush installation.

2 Install Ceiling Canopy to Socket Assembly



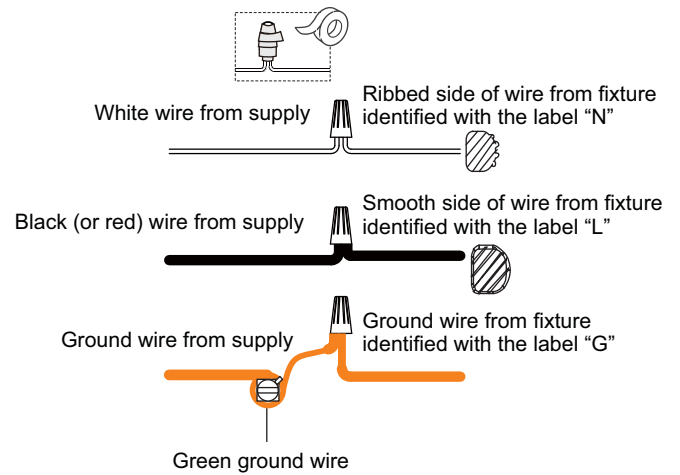
INSTALLATION

3 Install Crossbar

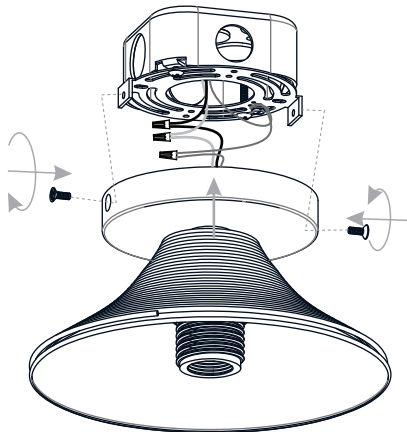


4 Wiring

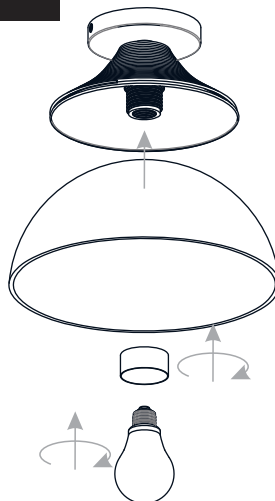
Cut supply wires and leave approximately 8" from ceiling canopy.



5 Install Ceiling Canopy to Crossbar

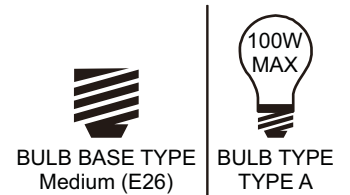


6 Install Glass Shade and Bulb



Install the correct bulb referring to fixture markings and/or labels for maximum wattage.

Recommended Bulb Type (not included):



Your installation is now complete! Restore electricity and save this sheet for future reference.