



Desk

Seamlessly blends into your interior

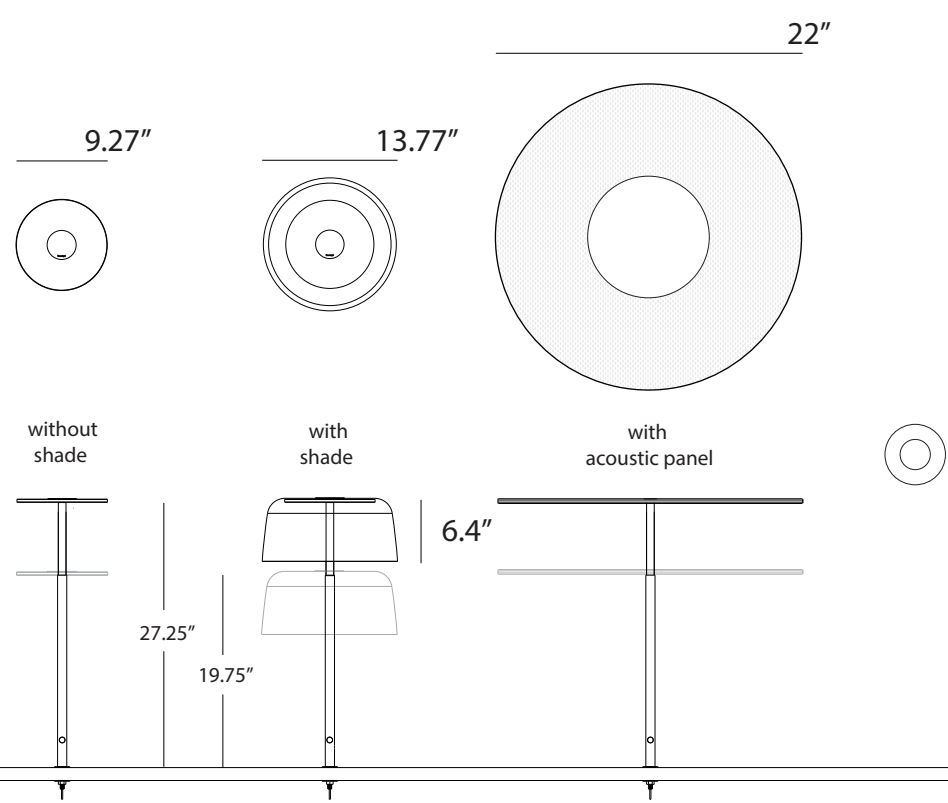
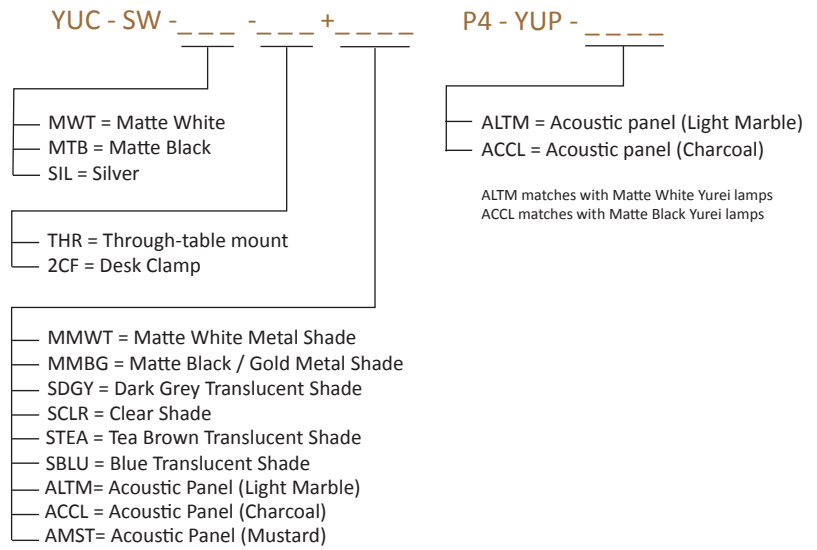
Designers
Kenneth Ng, Edmund Ng

Yurei Coworking lights

Best of NeoCon GOLD 2023

Drawing inspiration from the Japanese word for ghost, Yurei, our new lighting solution features unique translucent light shades that perfectly embodies the spirit of the name. With its ethereal and otherworldly appearance, the Yurei Light is the perfect way to add a touch of mystique and style to any commercial or residential interiors. On the desk/floor models, the dimmer and height-adjustable features provide precise control of light intensity for optimal working conditions, and the optional light shade can be easily replaced to match any workspace's aesthetic. Available in a range of translucent colors and metal finishes, the light shade adds an artistic touch to the environment. When used with an acoustic panel, the Yurei light can help reduce unwanted noise, creating a peaceful and calming environment. Its sustainable design, made from over 95% recyclable materials, makes it an excellent choice for businesses and organizations looking to reduce their environmental impact. The Yurei light is available in different mounting options, including suspension Pendant light, flush ceiling mount, through-table mount, desk clamp, or free-standing base, suitable for table or floor lamps.

YUC
 Lumens: 760
 Energy Consumption : 14 W
 Rated Lifespan 60,000+ hours
 Color Temperature: 3,000 K
 Color Rendering Index (Ra) : 90+
 Color Rendering Index (R9) : 50+
 Material: Aluminum, Plexiglass
 Warranty: 5 years
 Voltage: 100-240V
 Standard Finish (luminaire): White, Black
 Shade Finishes: Matte White (Metal)
 Matte Black / Gold (Metal)
 Dark Grey (Translucent)
 Clear
 Tea Brown (Translucent)
 Blue (Translucent)
 Light Marble (Acoustic Panel Shade)
 Charcoal (Acoustic Panel Shade)
 Mustard (Acoustic Panel Shade)



Yurei Coworking light with Fixed Clamp (-2CF)

Yurei Coworking light with Through Table Mount (-THR)

LEED Information

Integrative Process

To support high-performance, cost-effective project outcomes through an early analysis of the interrelationships among systems. Koncept's LED desktop and task lighting provides finer control over lighting levels in occupied spaces. With personal lighting in place, elimination or downsizing of building lighting systems is possible.

Interior Lighting

To promote occupants' productivity, comfort and well-being by providing high-quality lighting. Koncept's portable task lighting products provide more than three lighting levels that occupants can easily adjust to suit their needs. Furthermore, all Koncept lighting products use high quality LED light sources with CRI over 90 and L70 rated lifespan over 60,000 hours. Desktop and task personal lighting also provide the opportunity to reduce overhead lighting.