

Project:

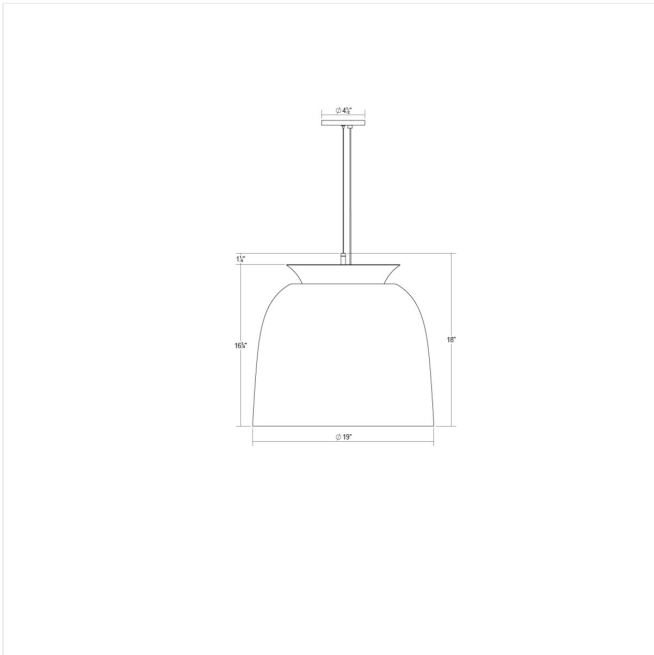
Belle Flare Medium LED Bell Pendant Spec Sheet

SKU: 3533.25

Unmistakably modern, the pristine curved Belle Flare Pendant directs LED light downward through reflective radiance within the dome shade while subtly reflecting light upward through the flared trim at the top of the dome. Scaled for residential, hospitality and commercial settings for an enduring modern presence.

Learn more: <https://sonnemanlight.com/belle-flare-pendant>

Type #:



Dimensions

Height:	18"
Diameter:	19"
Canopy/Backplate/Base:	4.5"
Hanging Details:	20' Adjustable Cord
Size:	Medium
Canopy/Backplate/Base Height:	0.5"

Electrical Specs

Bulb(s) Included?:	Yes
Bulb 1 Type:	Integral LED
Bulb Quantity:	1
Input Voltage:	120-277VAC
Initial Lumens:	1680
Color Temperature:	3000K
CRI:	90
Power Supply Type:	Driver
Power Supply Quantity:	1
Power Supply Location:	Outlet Box
Dimming Type:	TRIAC/ELV/0-10V
Bulb Max Wattage:	16

Installation

Installation:	Licensed electrician required
Sloped Ceiling Compatible?:	Not Compatible
Cord Length:	20' Adjustable Cord
Minimum Hanging Height:	19"
Maximum Hanging Height:	258"

Shade

Shade Material:	Metal
Shade 1 Color:	Satin Black

General Listings

Features:	At NYDC, Damp Rated
Certification:	C-ETL-US
Color/Finish:	Satin Black (.25)
Dark Sky Friendly:	N

Available Finishes

Available Finishes:	Brass Finish (.14), Satin Black (.25), Satin White (.03)
---------------------	--

Available Color Temperatures

Available Color Temperatures:	3000k
-------------------------------	-------