



SCHONBEK®

CHANTANT
CH1211N- __ _H



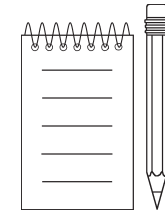
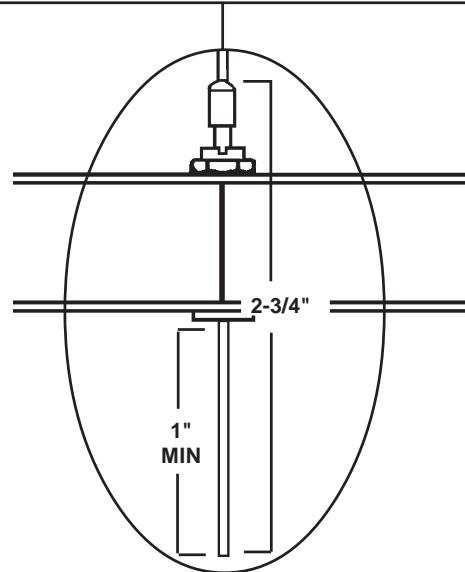
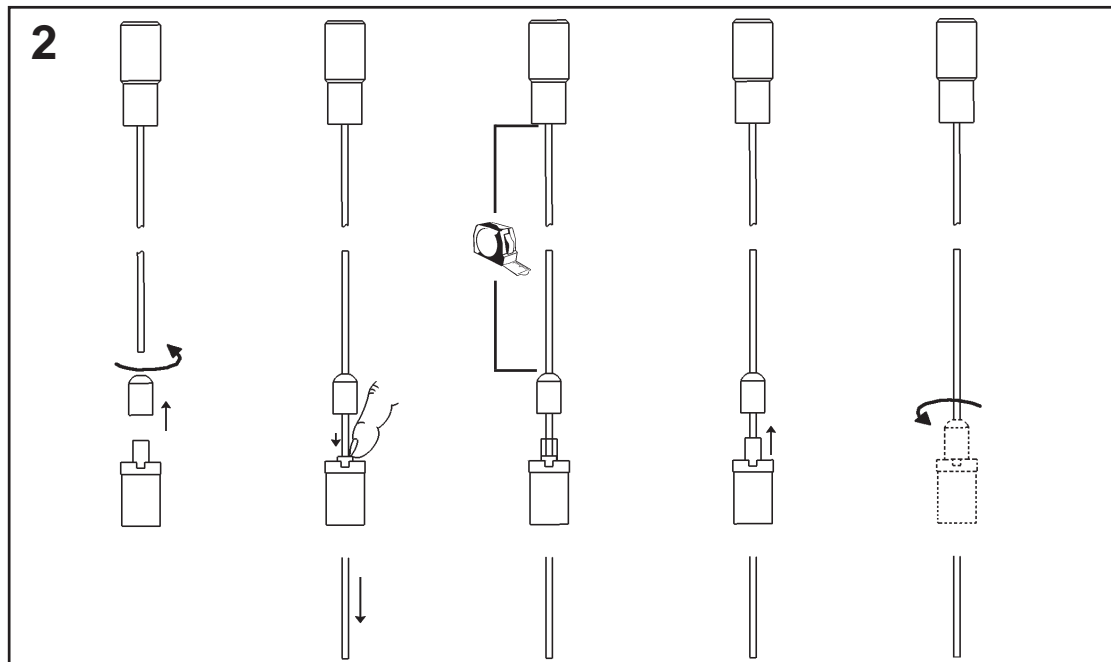
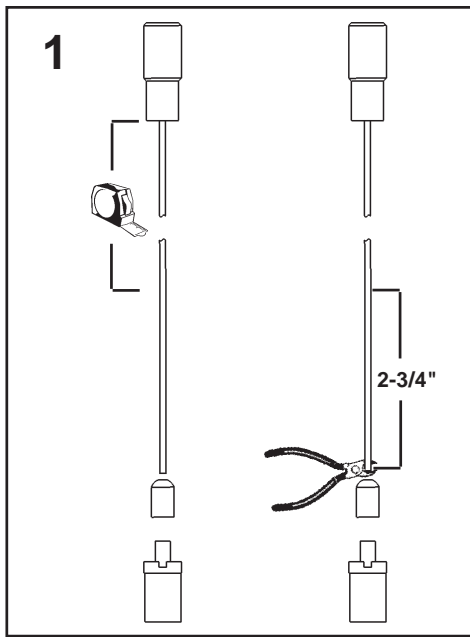
THIS DESIGN IS THE PROPRIETARY
TRADE DRESS/TRADE MARK OF
SWAROVSKI LIGHTING, LTD.

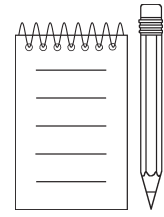
4 Lights
Diameter: 14"
Height: 23"
Hanging Weight: 14-1/2lbs.



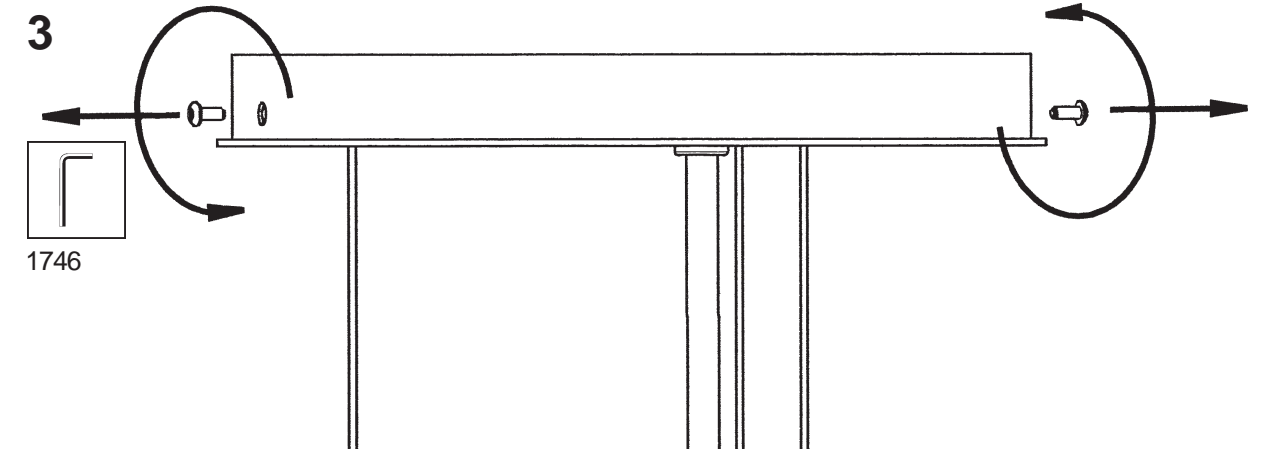
SCHONBEK®

MAX <u>50</u> W		110-120 V						



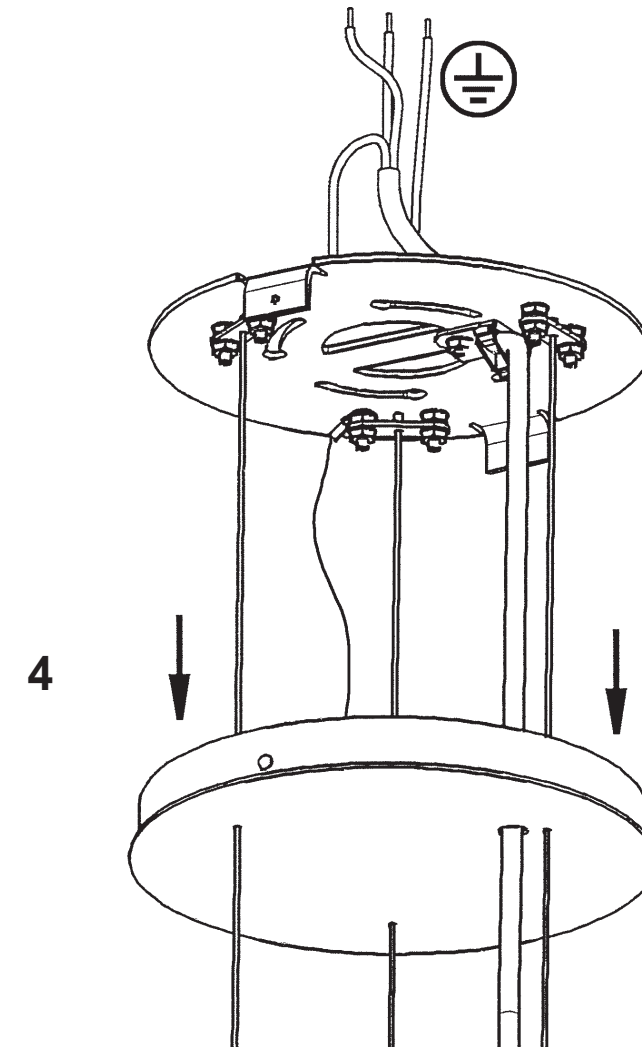


1X  : 1746

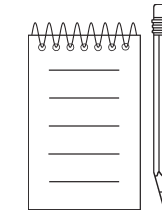
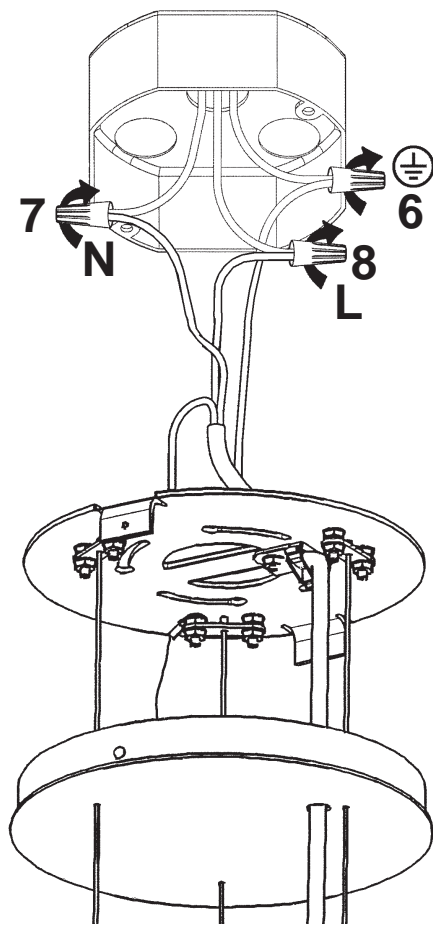
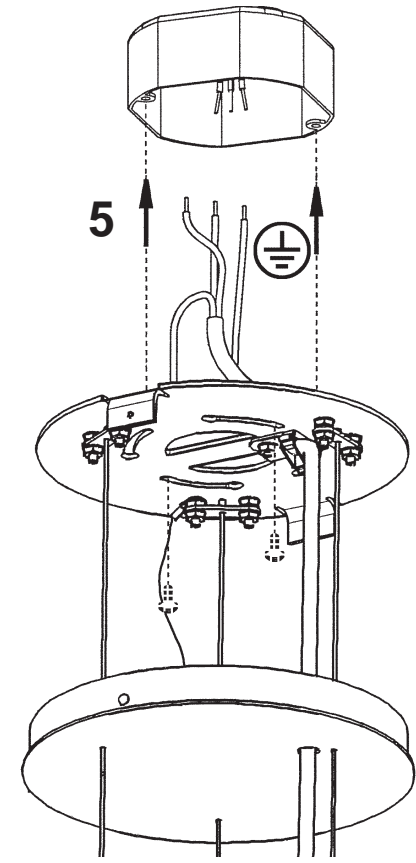


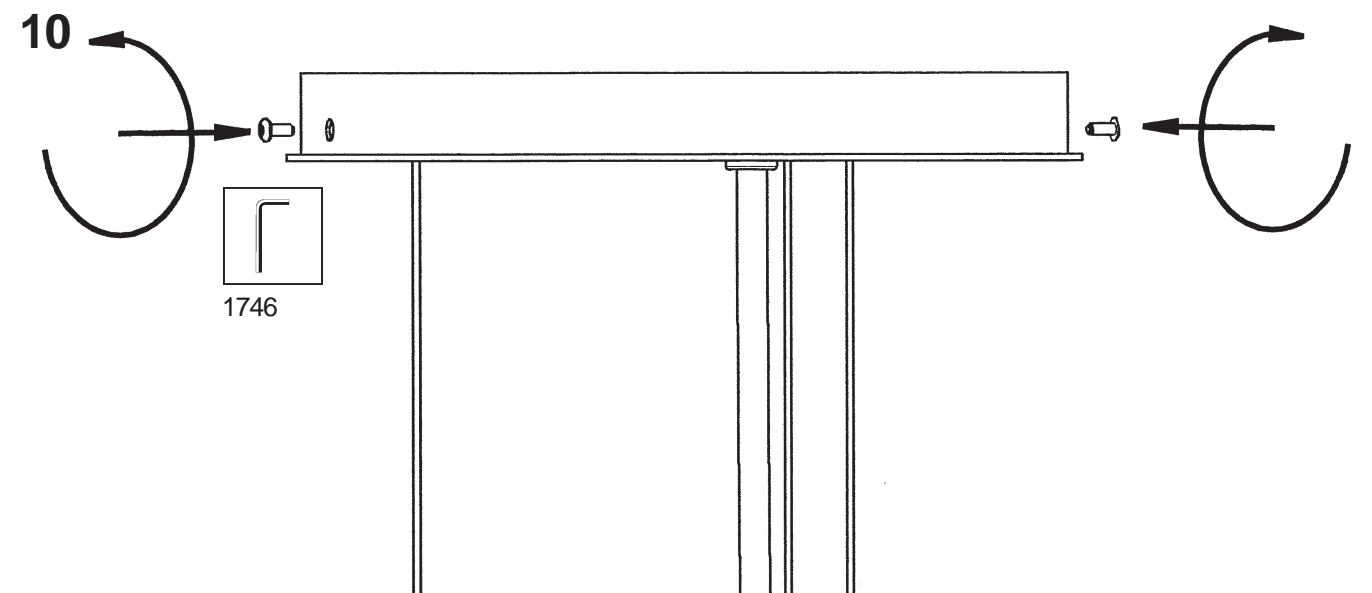
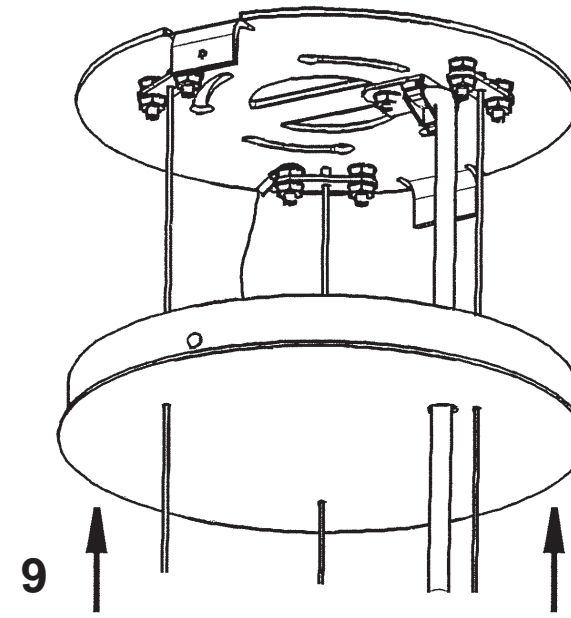
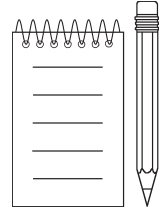
3

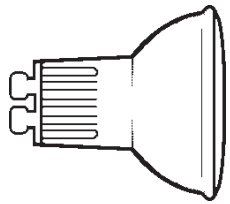

1746

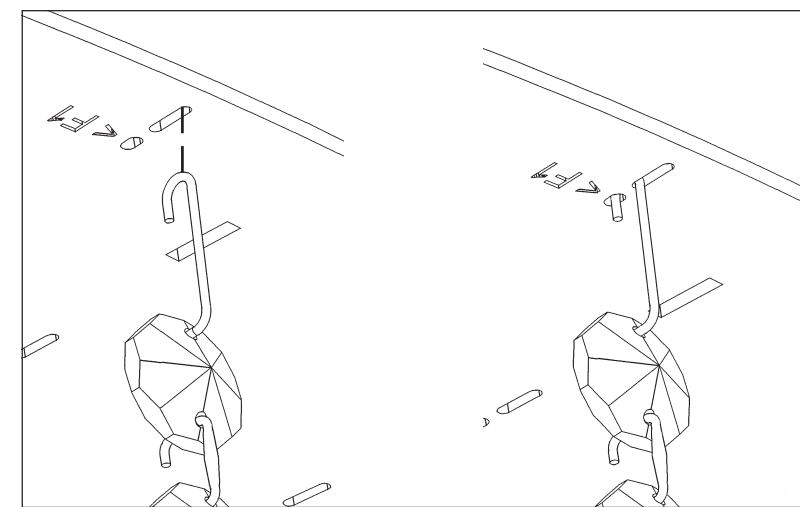
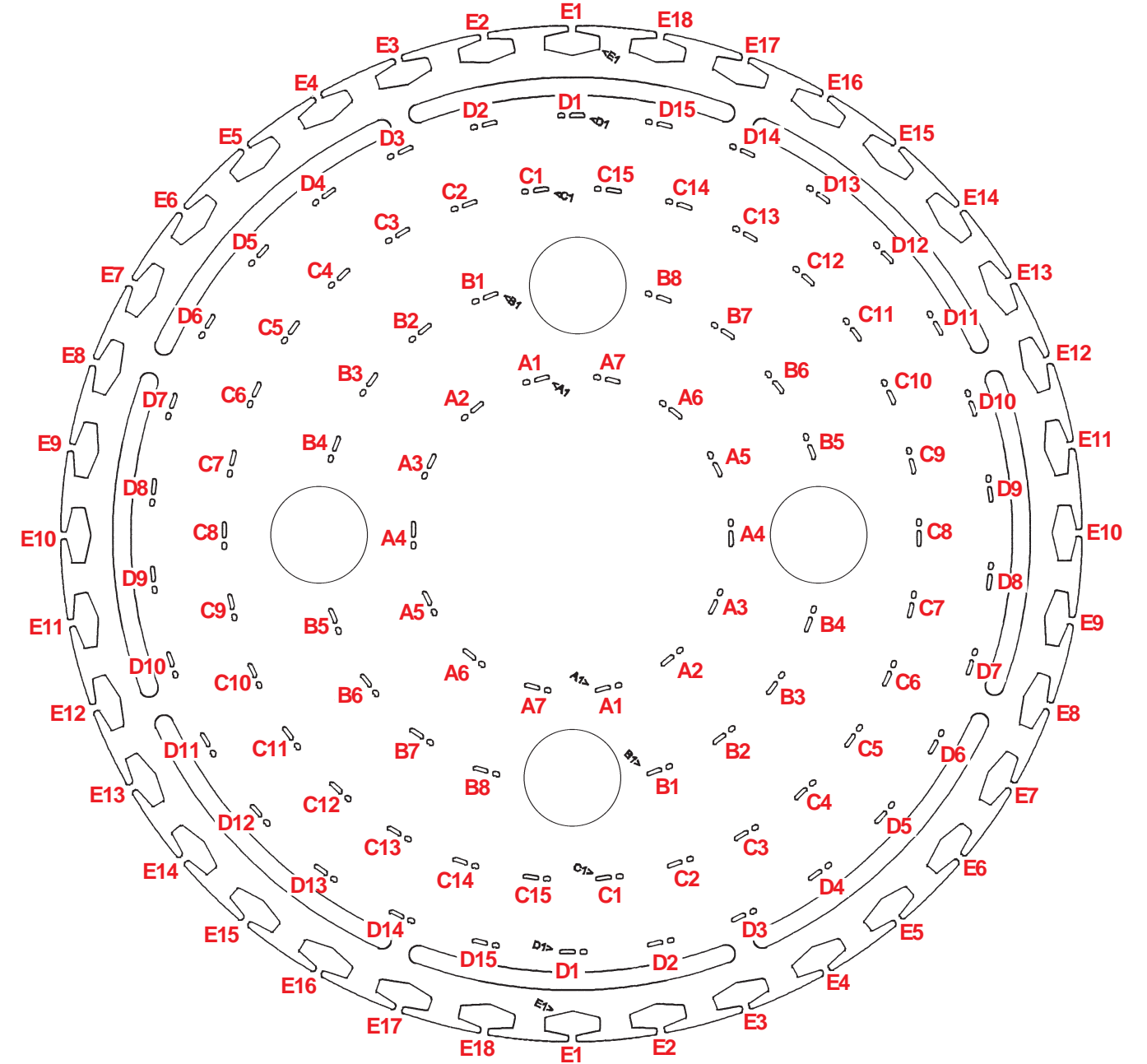
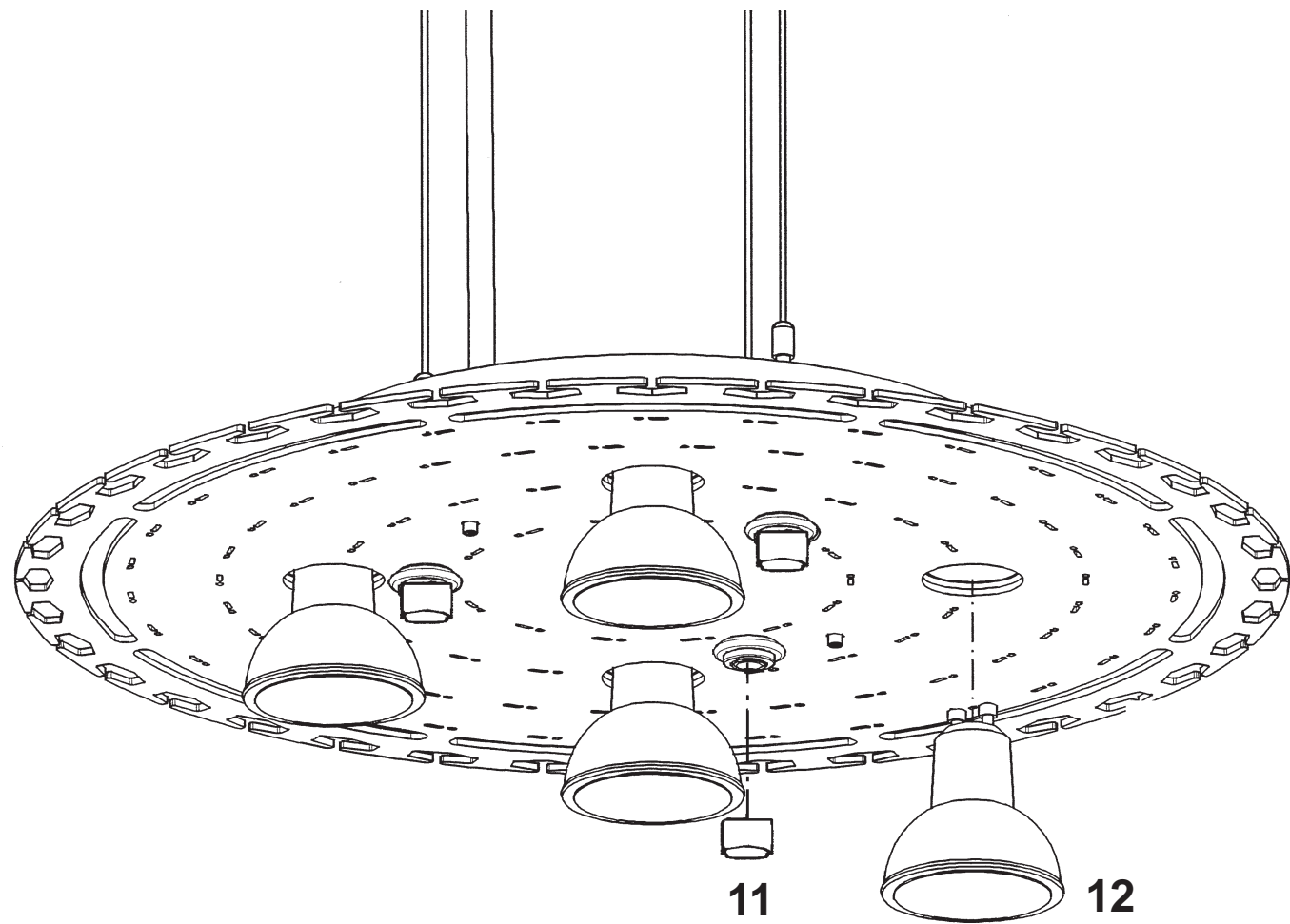


4





4 X  : GU10 50W MAX 



- 13** A1 - A7
- 14** B1 - B8
- 15** C1 - C15
- 16** D1 - D15
- 17** E1 - E18

After hanging all trim, remove labels from crystals. If residue remains, wipe off crystal with a soft, dry cloth.