

FLUORESCENT FLUSH MOUNT FIXTURE ASSEMBLY & INSTALLATION INSTRUCTIONS

Please read carefully and save these instructions, as you may need them at a later date.

CAUTION/ATTENTION

Turn off the main power at the circuit breaker before installing the fixture, in order to prevent possible shock. Couper le courant au niveau du disjoncteur avant d'installer la lampe pour éviter tout risque de secousse électrique.

GENERAL/GÉNÉRALITÉS

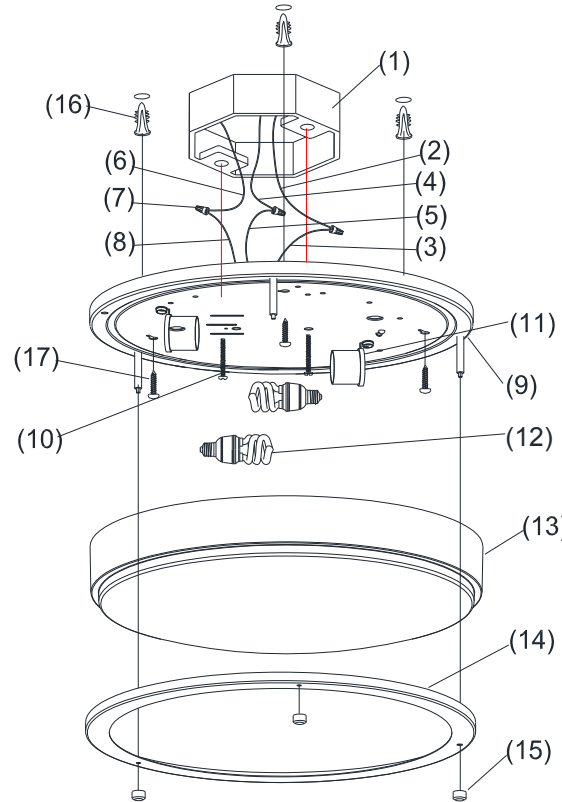
All electrical connections must be in accordance with local and national electrical code (N.E.C) standards. If you are unfamiliar with proper electrical wiring connections obtain the services of a qualified electrician. Tous les branchements électrique doivent respecter les normes du Code National de l'Électricité. Si vous ne savez pas comment installer correctement des fils électriques, appelez un électricien professionnel. Remove the fixture and the mounting package from the box and make sure that no parts are missing by referencing the illustrations on the installation instruction.

ASSEMBLY AND INSTALLATION

1. Turn off the power.
2. Remove the Decorative Nut (15) from the Metal Ring (14). Remove the Metal Ring (14) and Acrylic Lens (13) from the Fixture Pan (9).
3. Pull the Supply Wires (4) & (6) and House Ground Wire (2) out from the Outlet Box (1).
4. Position your fixture at the desired location. Mark the location of the keyhole slots located on the Fixture Pan (9). Be sure to mark only the narrow parts of the keyhole slots. Remove the Fixture Pan (9) from the ceiling. Drill the three holes using the appropriately sized drill bit. Insert the provided Ceiling Anchors (16) into the holes.
5. Make the wiring connections: connect the House Ground Wire (2) to the Fixture Ground Wire (3) using wire connector; connect the White Supply Wire (4) to the White Fixture Wire (5); connect Black Supply Wire (6) to the Black Fixture Wire (8) using Wire Connectors (7). Thread one of the Fixture Screws (10) to full turns into the threaded hole on the Outlet Box (1). Carefully tuck all wires back into the Outlet Box (1). Attacher le cable d'alimentation noir au cable noir de la lampe, et le Cable d'alimentation blanc au cable blanc de la lampe à l'aide des connecteurs, Raccorder le fil de terre de la lampe au fil de terre de l'alimentation en utilisant un connecteur.

6. Locate the Fixture Pan (9) over the Outlet Box (1), positioning the Fixture Screw (10) through the long slot on the Fixture Pan (9) and thread it into the Outlet Box (1). Then secure the Fixture Pan (9) to the Outlet Box (1) by tightening the two Fixture Screws (10). Secure the Anchor Screws (17) to the Ceiling Anchors (16).
7. Now you are ready to install Lamp (12) by turning it into the Socket (11). Do not exceed the recommend wattage.
8. Place the Acrylic Lens (13) over the Fixture Pan (9). Place the Metal Ring (14) over the Acrylic Lens (13) lining up the holes with the Fixture Pan (9) posts and securing it with the three Decorative Nuts (15).

INSTALLATION IS NOW COMPLETED



1. OUTLET BOX
2. HOUSE GROUND WIRE
3. FIXTURE GROUND WIRE
4. WHITE SUPPLY WIRE
5. WHITE FIXTURE WIRE
6. BLACK SUPPLY WIRE
7. WIRE CONNECTOR
8. BLACK FIXTURE WIRE
9. FIXTURE PAN
10. FIXTURE SCREW
11. SOCKET
12. LAMP
13. ACRYLIC LENS
14. METAL RING
15. DECORATIVE NUT
16. CEILING ANCHOR
17. ANCHOR SCREW